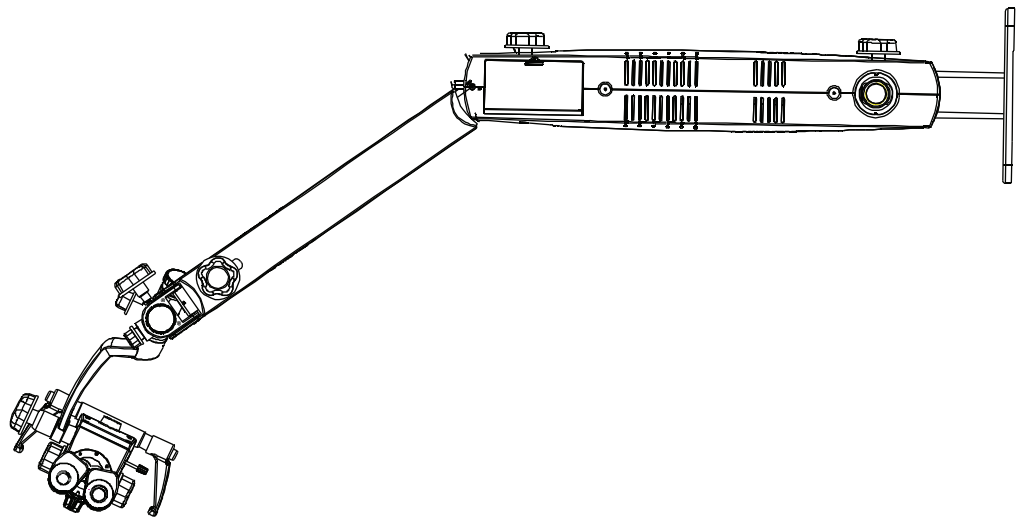


PRIMA WALL MOUNT User/Installation Manual



To ensure proper use of this instrument as well as to avoid injury while operating Instrument, understanding this manual completely before use is highly recommended.

Part No: 6137100-795
Issue 1.5
Printed on Aug, 2024

TABLE OF CONTENT

SYMBOL INFORMATION	1
WARNINGS AND CAUTIONS	2
INTRODUCTION	3
DIMENSIONS OF WALL MOUNT ASSEMBLY	4
DIMENSIONS OF WALL MOUNTED MICROSCOPE	5
DIMENSIONS OF WALL MOUNTED MICROSCOPE WITH LONG ARM	6
INSTALLATION OF WALL MOUNT	7
DIMENSIONS OF WALL MOUNT	8-11
WALL MOUNT INSTALLATION	12
INSTALLATION OF WALL MOUNT FOR WOODEN WALL	13
INSTALLATION OF WALL MOUNT FOR CONCRETE WALL	14
INSTALLATION PROCEDURE	15

SYMBOL INFORMATION



THE SAFETY AND SATISFACTION OF USERS AND PATIENTS IS ALWAYS THE HIGHEST PRIORITY BY LABOMED. THIS MANUAL CONTAINS IMPORTANT INFORMATION REGARDING THE SAFE AND RISK FREE USE OF THIS EQUIPMENT AND SHOULD BE READ THOROUGHLY PRIOR TO INSTALL AND USE OF THE EQUIPMENT. FAILURE TO READ AND UNDERSTAND THIS MATERIAL COULD RESULT IN INJURY TO PATIENTS OR PERSONNEL OR IN DAMAGE TO THE EQUIPMENT.



This symbol on the product is an attention symbol, alerting the user to read the Owner's Manual for important installation, operating instructions or safety information.



This symbol on the product indicates a potential electrical shock hazard and alerts the user to read the Owner's Manual for important safety information.



Symbol indicating "not for general waste." Recycle per the LOCAL WASTE ELECTRICAL AND ELECTRONIC EQUIPMENT (WEE) DIRECTIVE.



This symbol indicates earth ground.



For Professional Use Only.



This symbol indicates a surface that could be hot to the touch.



This symbol alerts the user that this product emits bright light.



This symbol indicates an explosion hazard.



This symbol indicates a situation in which incorrect handling through disregard of a warning might result in death or serious personal injury.



This symbol indicates a situation in which incorrect handling through disregard of a caution might result in personal injury or may result in damage to property.



Medical Device

WARNINGS AND CAUTIONS



ONLY QUALIFIED PERSONNEL SHOULD WORK ON OR AROUND THIS EQUIPMENT AFTER BECOMING THOROUGHLY FAMILIAR WITH ALL WARNINGS, SAFETY NOTICES AND MAINTENANCE PROCEDURES CONTAINED HEREIN. FOR THE PURPOSES OF THIS MANUAL AND PRODUCT LABELS, A QUALIFIED PERSON IS ONE WHO HAS BEEN TRAINED ON THE INSTALLATION, CONSTRUCTION, OPERATION AND MAINTENANCE OF THIS EQUIPMENT AND WITH THE HAZARDS INVOLVED.



IT IS HIGHLY RECOMMENDED THAT THE INSTALLATION OF THIS EQUIPMENT BE PERFORMED BY QUALIFIED TECHNICIANS. INSTALLATION BY UNQUALIFIED INDIVIDUALS COULD RESULT IN PERSONAL INJURY.



Do not clean any surface with petroleum-based solvents such as acetone or M.E.K. (Methyl Ethyl Ketone). These solvents will remove paint and cause permanent damage to plastic surfaces. Using these solvents also presents a danger to individuals if the solvents are opened in a poorly ventilated room.



Replacement parts, such as cables, must be purchased through LABOMED to ensure proper compliance requirements. The use of other cables may affect EMC performance. Unauthorized use of these items will void warranty and may cause injury to you, others and/or the equipment.



Check for damage before discarding the shipping material and notify LABOMED if shipping damage is observed.



Contents are packed in several boxes. Before discarding any packaging ensure no Components are still within.



Save this manual for future reference.



If you have ordered accessories, then some of these may be assembled to the unit while others are supplied unassembled. Please examine the content of the box thoroughly. If any accessories require assembly, then instructions will be included.

INTRODUCTION

LABOMED WALL MOUNT SYSTEM (PRIMA)

This LABOMED Wall Mount system is having modular components with improved ergonomics, mechanics, lighting during dental and other medical procedures/examinations.

Components may include, but not limited to, support system, binoculars, objective lens, light source, beam splitters, and video /photography systems.

This Support System is Suitable for both wooden walls 406mm(16") and Solid Brick/Concrete walls minimum 9"thick.

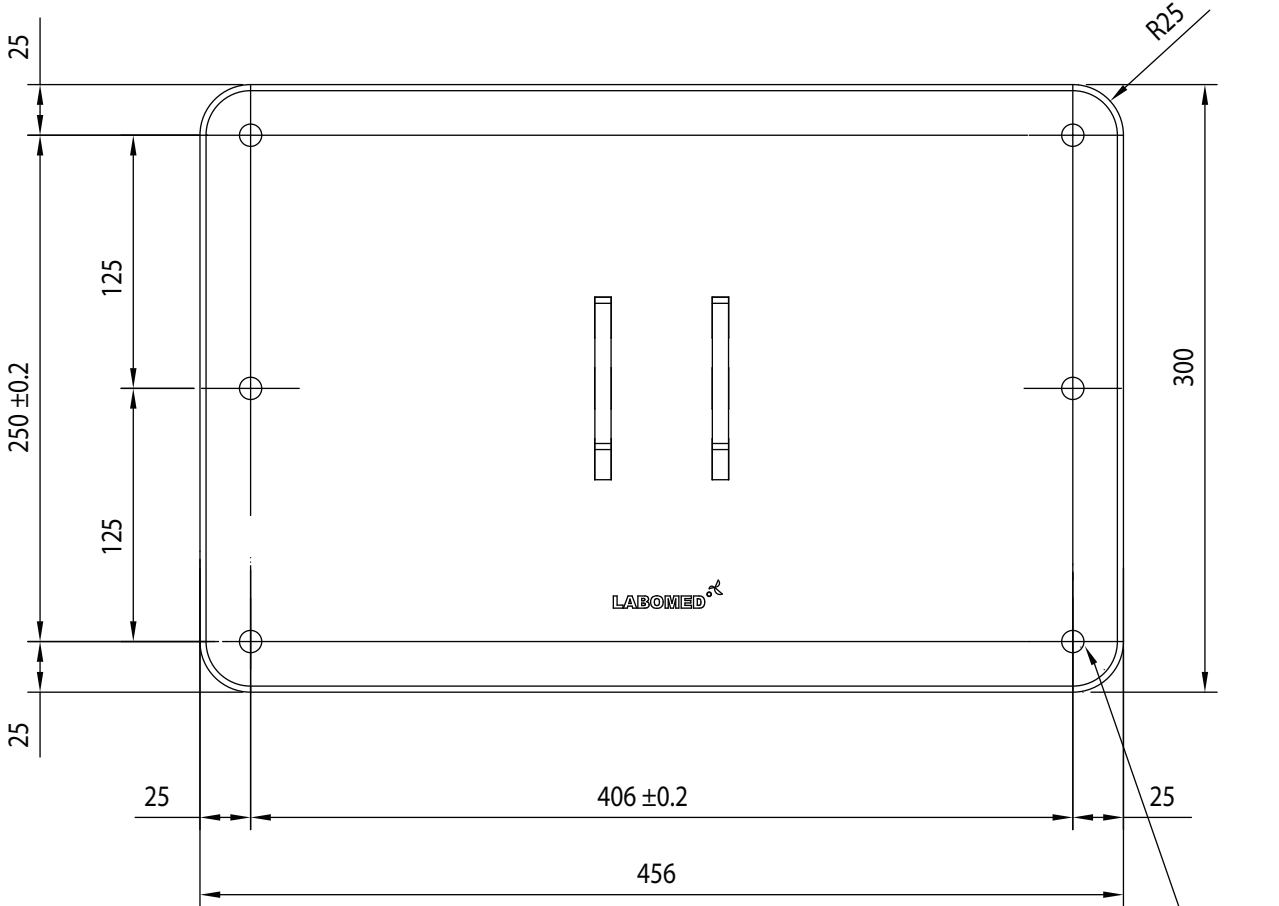
This Installation manual is only for wall mounted model designed for areas with limited floor space. It provides an unobstructed range of working area and folds flat against the wall for convenient storage.

This Manual is only about Installation of LABOMED Wall Mounted System for Prima Series of Surgical Microscopes To Install Complete wall Mounted Prima Microscope This Manual should be used along with Microscope manual packed separately with microscope arm box.



Any serious incident associated with this device should be reported to Labo America, Inc. USA and to your national health agency.

DIMENSIONS OF WALL MOUNT ASSEMBLY



LIST OF CONTENTS

- 1. Paper template for marking - 1
- 2. Wall Mount Assembly -1
- 3. Hexagonal Lag bolts (for wooden walls) -6
- 4. Plain Washer -6
- 5. RAWL Anchor Bolts (for Masonry walls) -6
- 6. Cap set bolt -6

6-THRU HOLE Ø12.0

DIMENSIONS OF WALL MOUNTED MICROSCOPE

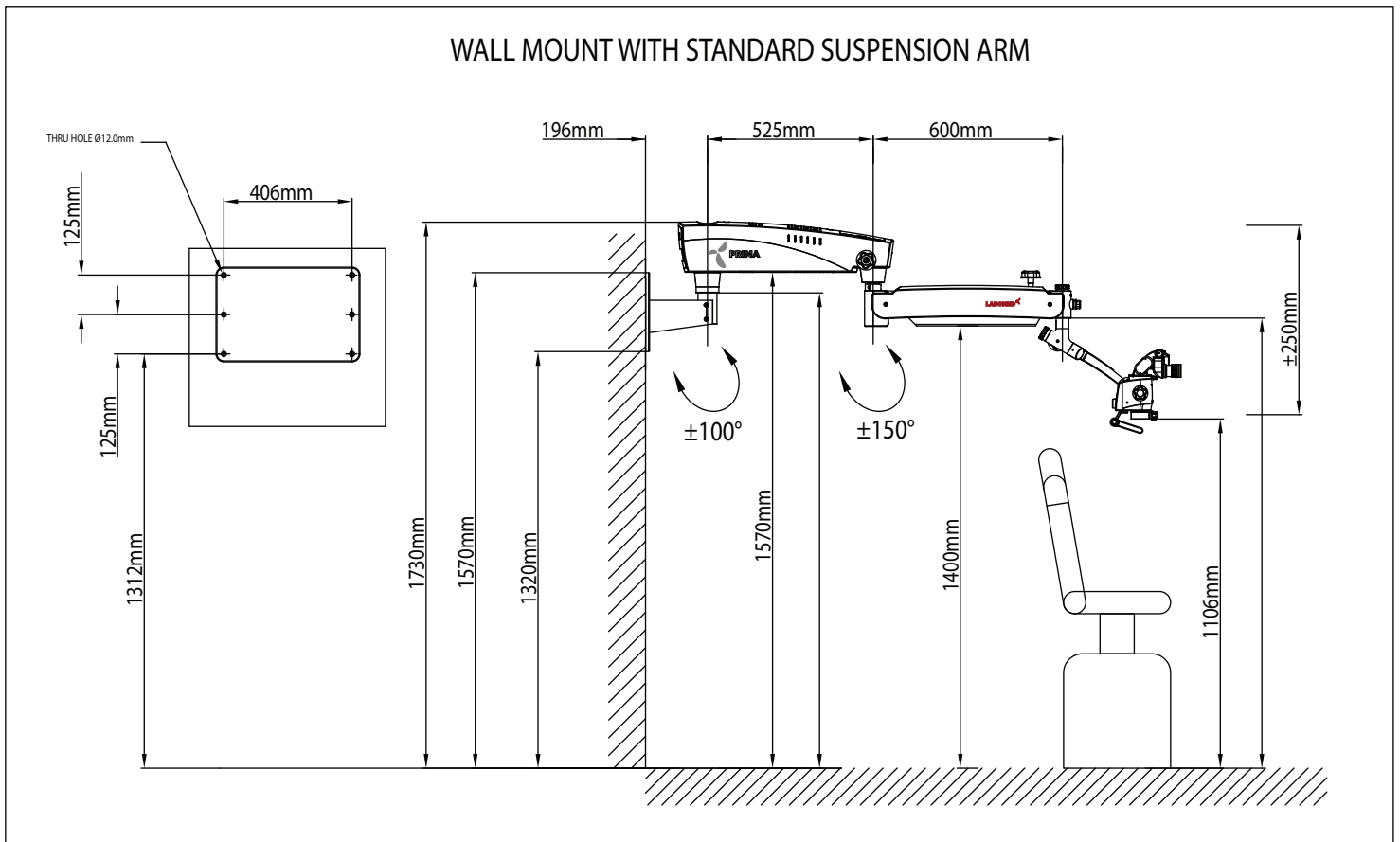


Fig No. 1

DIMENSIONS OF WALL MOUNTED MICROSCOPE WITH LONG ARM

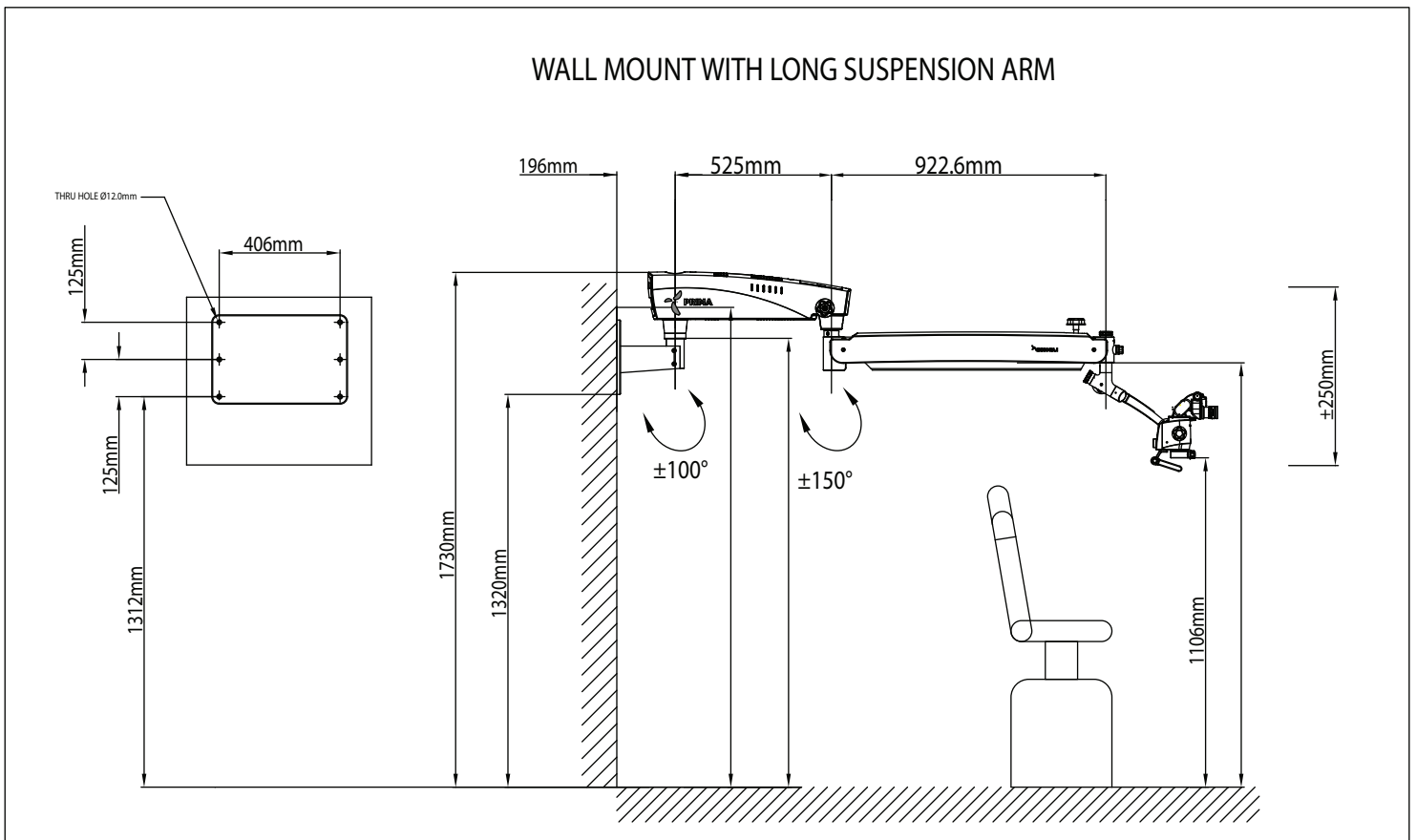


Fig No. 2

INSTALLATION OF WALL MOUNT

WALL MOUNT WITH STANDARD SUSPENSION ARM & SWIVEL ARM
WITH 8" EXTENSION ARM

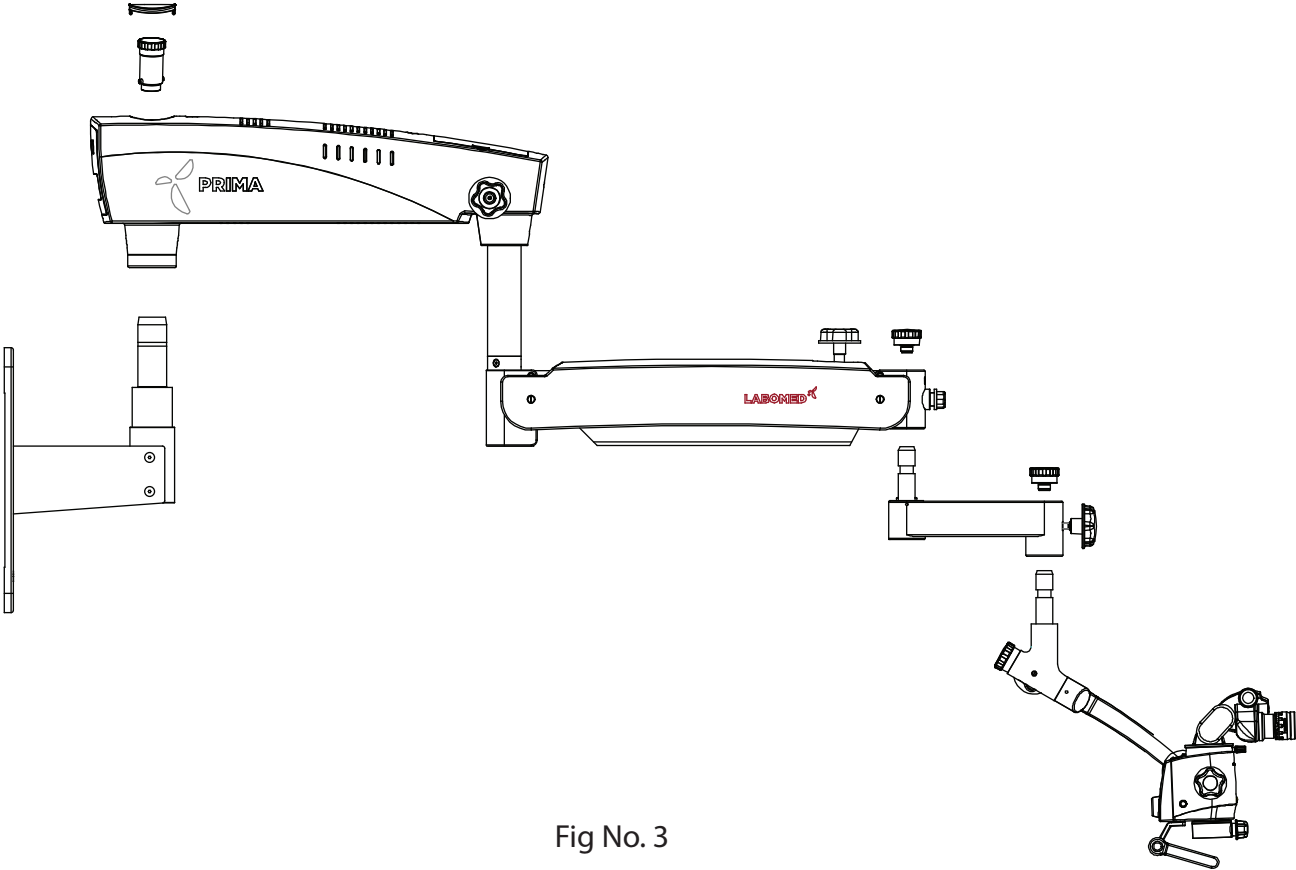


Fig No. 3

DIMENSIONS OF WALL MOUNT

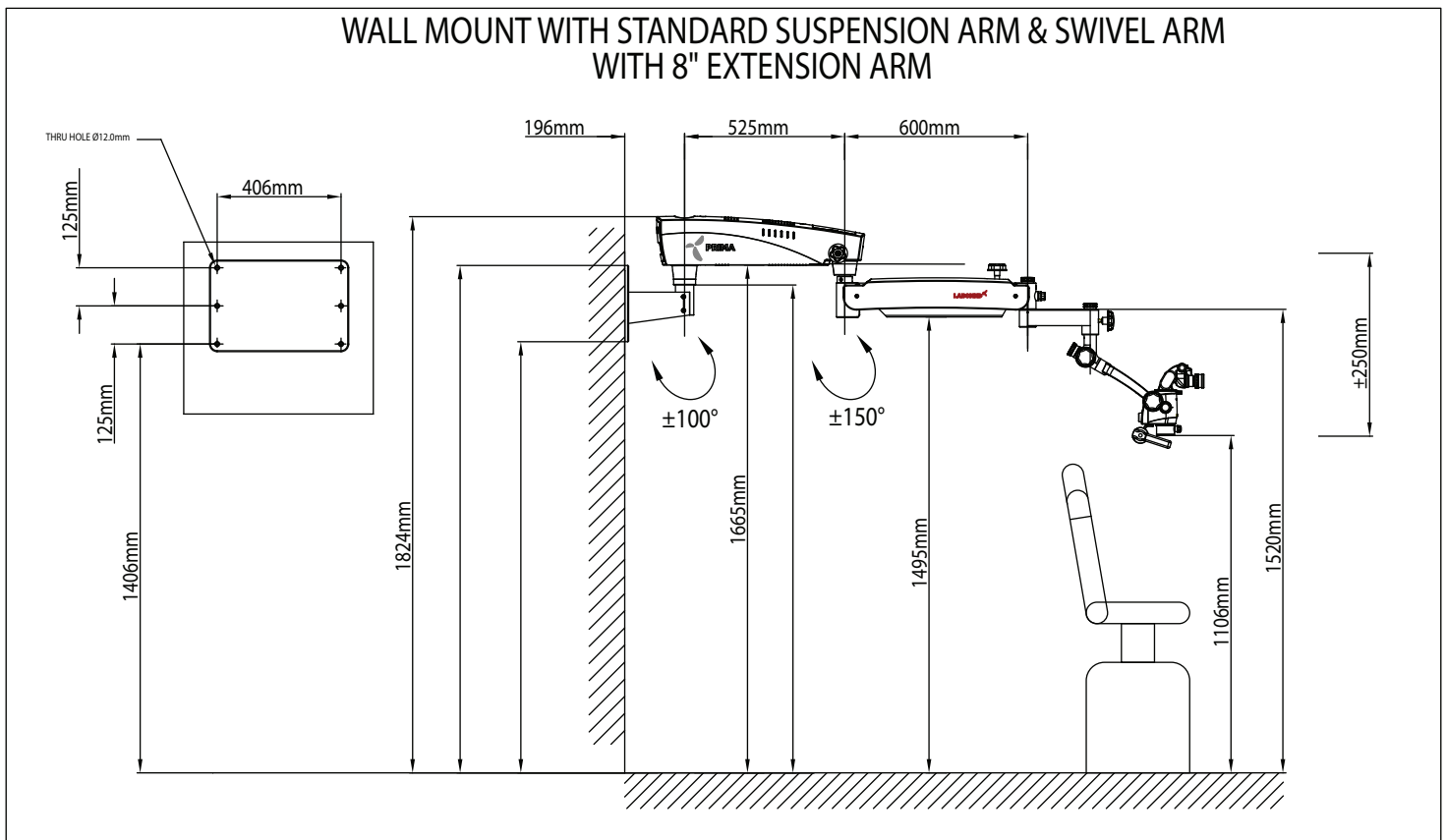


Fig No. 4

Wall mount: Alternative installation to the patient's side
(With standard suspension arm)

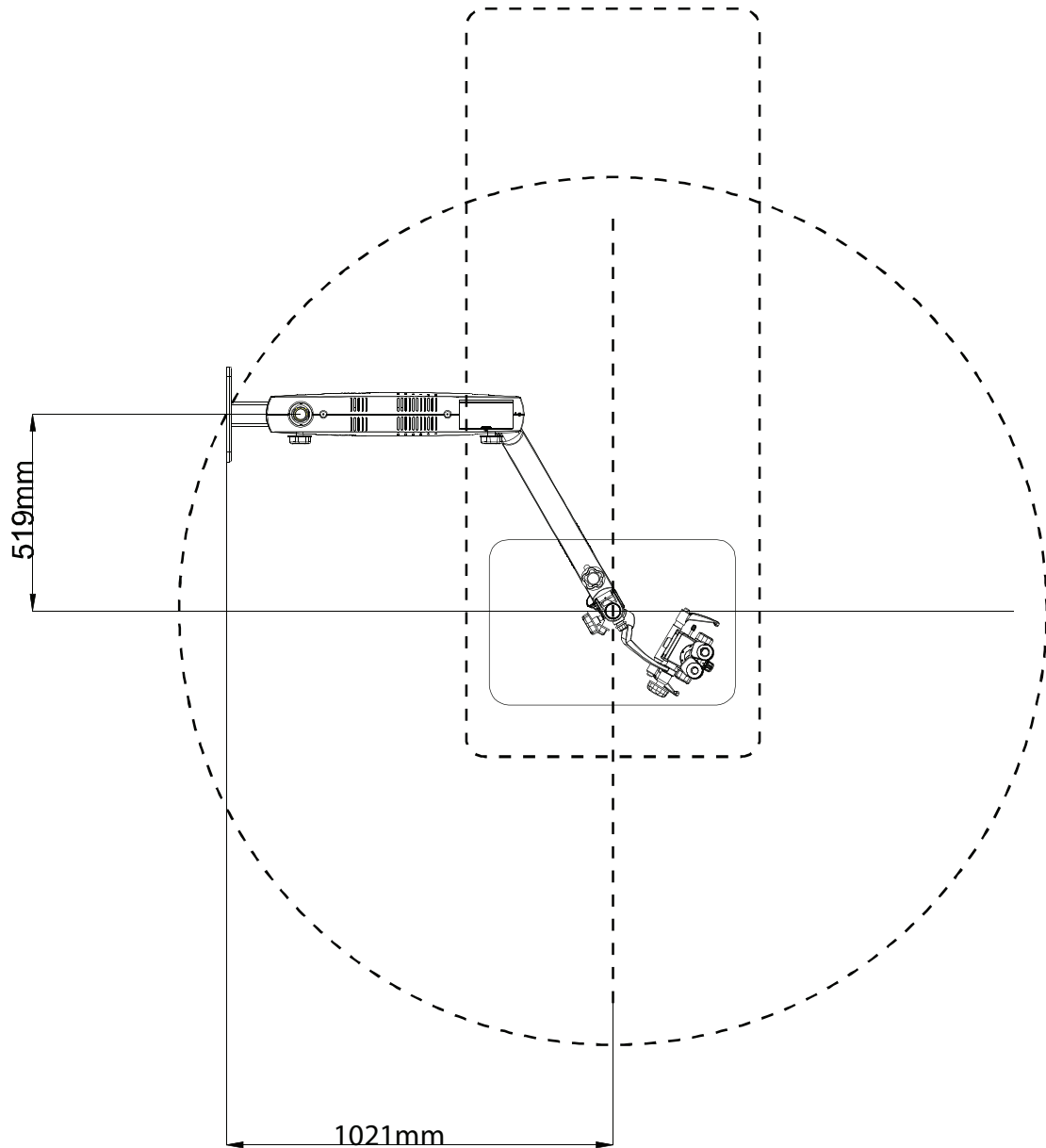


Fig No. 5

Wall mount: Alternative installation to the patient's side
(with long suspension arm)

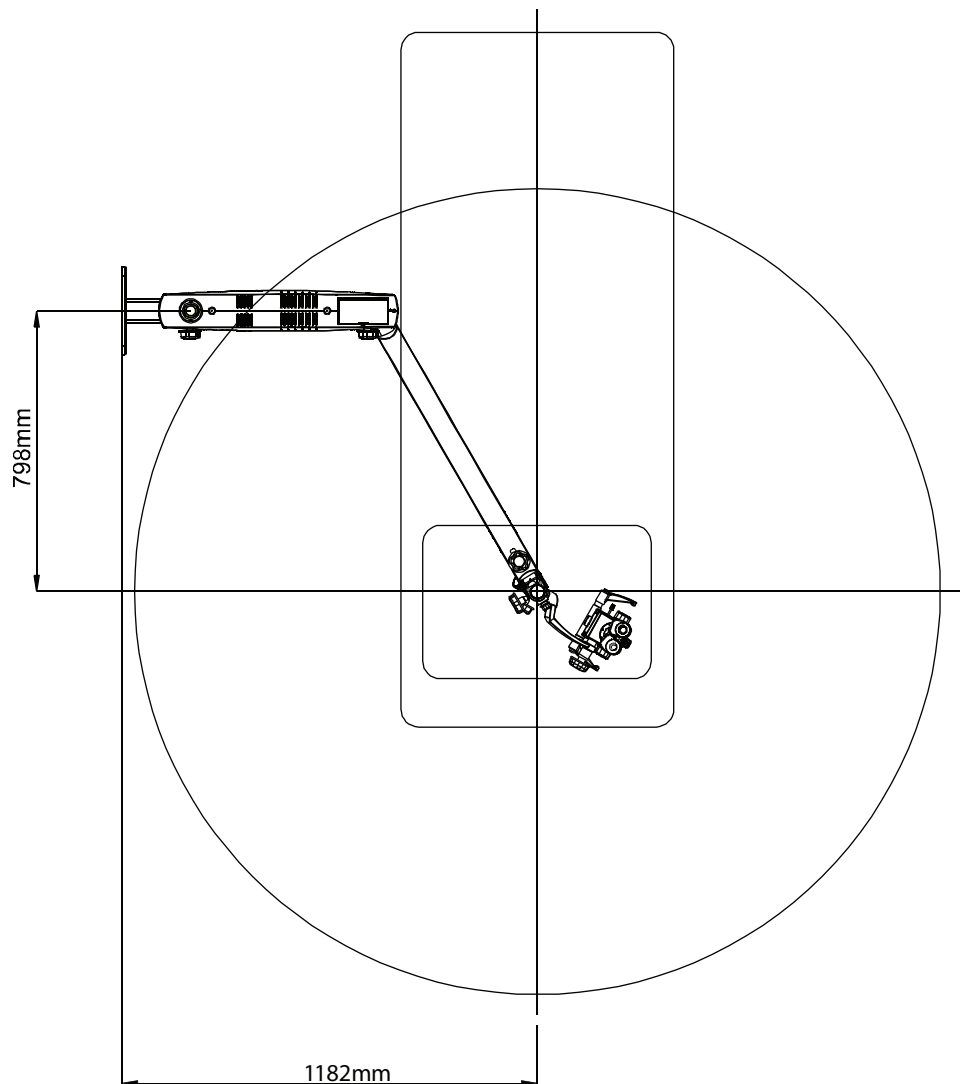


Fig No. 6

Wall mount: MARKING REFERENCE

Anchoring the Wall mount

Reference

- A Paper Template for marking
- B Wall Mount Assembly
- C Distance from Floor- Refer suitable height as per ordered configuration from figure-1,2 or 4

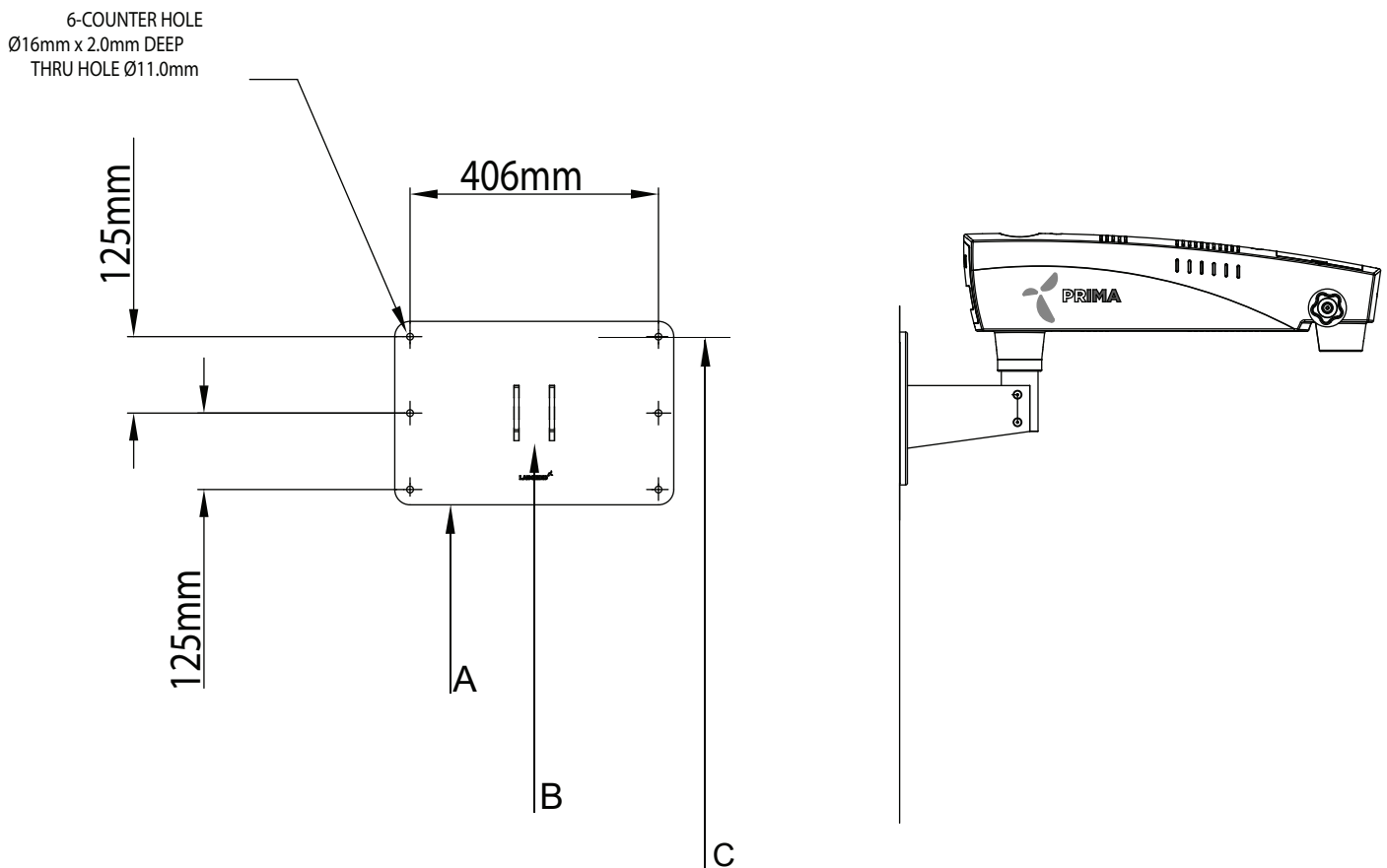


Fig No. 7

WALL MOUNT INSTALLATION

WALL MOUNT INSTALLATION

Before Initiating the installation of Labomed Wall Mount Microscopes, You must ensure that there is proper space available as per the configuration selected. Refer to Figure 1,2,3,4,5 and 6.

Measure the distance between the centers of the studs. The Labomed Wall Mount Model is designed to mount directly on a wall with wood studs spaced 406mm (16") centers or on solid brick/concrete wall minimum 229mm (9") thick wall.

Refer BOM Below.

WALL MOUNT INSTALLATION FOR WOODEN WALL

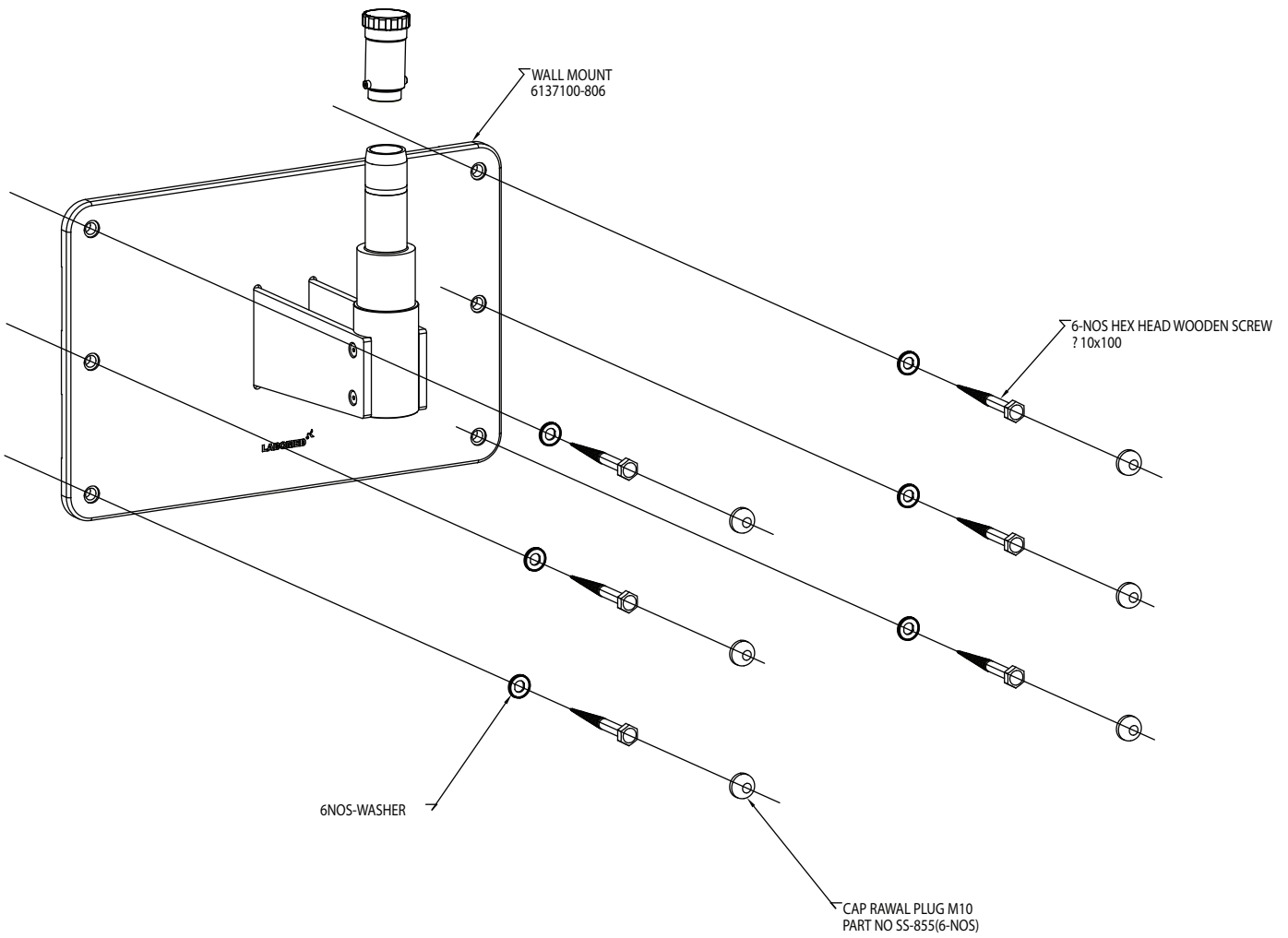


Fig No. 8

WALL MOUNT INSTALLATION FOR SOLID BRICK WALL

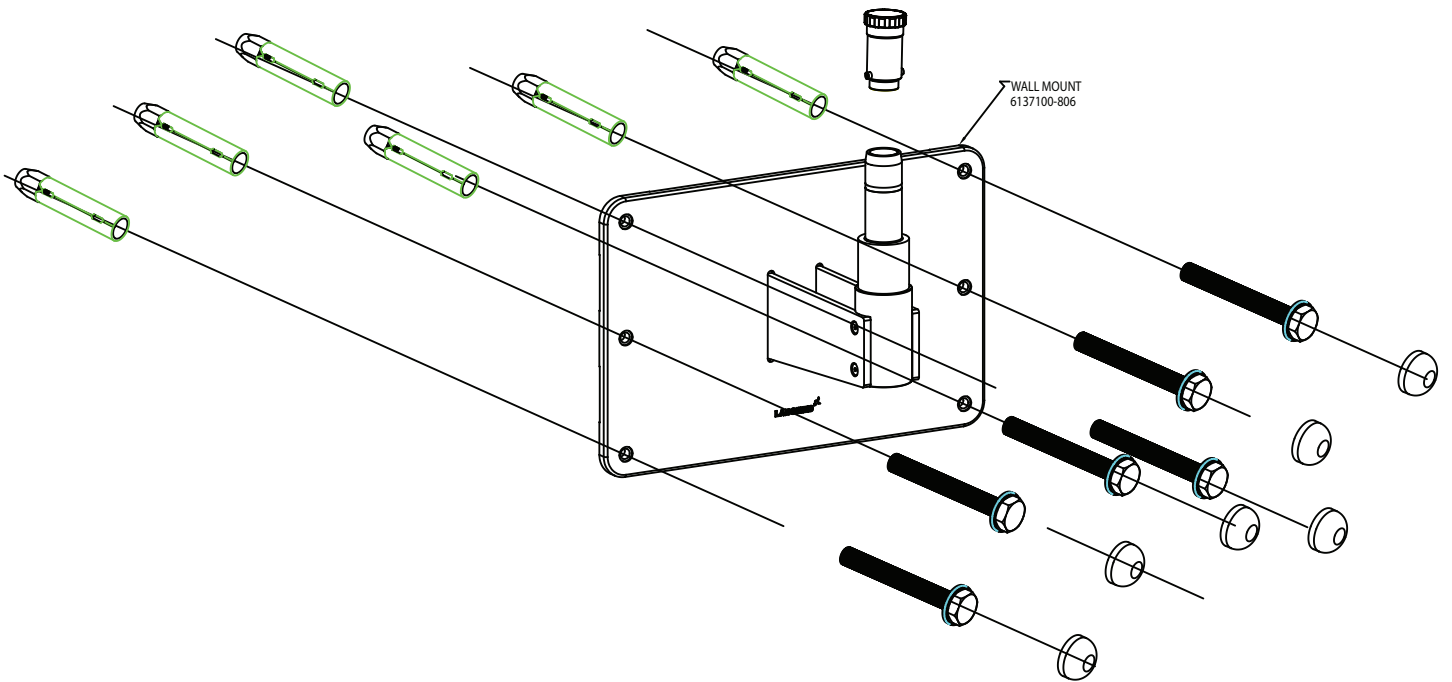


Fig No. 9

INSTALLATION PROCEDURE

WALL MOUNT INSTALLATION ON STANDARD SIXTEEN INCH(16"406 MM) WOODEN WALL STUD SPACING

For securing the Wall Mount System to construction using wooden wall studs spaced on 16 (406 mm) Inch centers, it is recommended that 3/8" x 4" hex head lag screws are used.

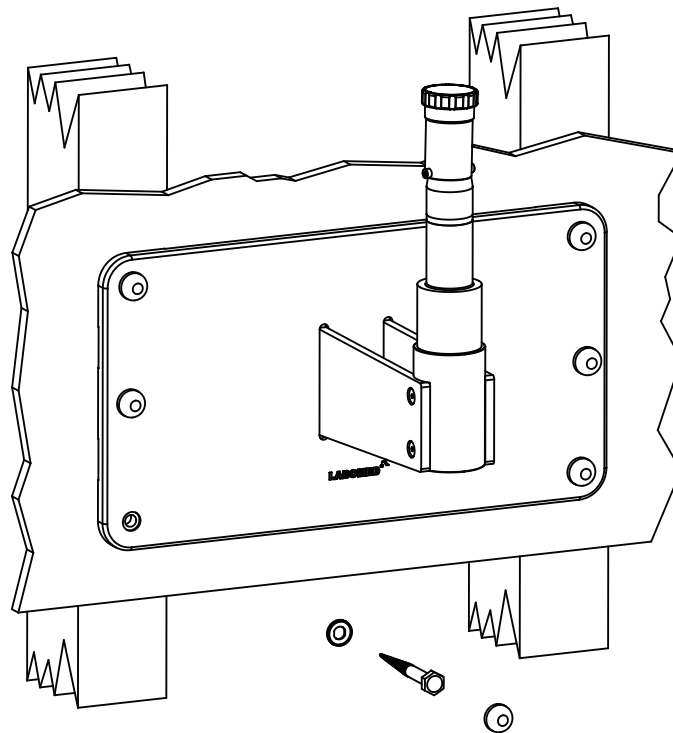


Fig No. 10

WARNING: THE MOUNTING HARDWARE SUPPLIED FOR WOODEN WALL IS NOT DESIGNED FOR INSTALLATION TO WALL WITH STEEL STUDS OR TO CINDER BLOCK/MASONRY WALLS.

LEVELING THE WALL MOUNT PLATE ASSEMBLY

It is important to ensure that wall mount (6137100-806) is level both horizontally and vertically, after installation. Leveling of the wall mount assembly is necessary to prevent the microscope system from drifting from side to side when it is being used at full extension.

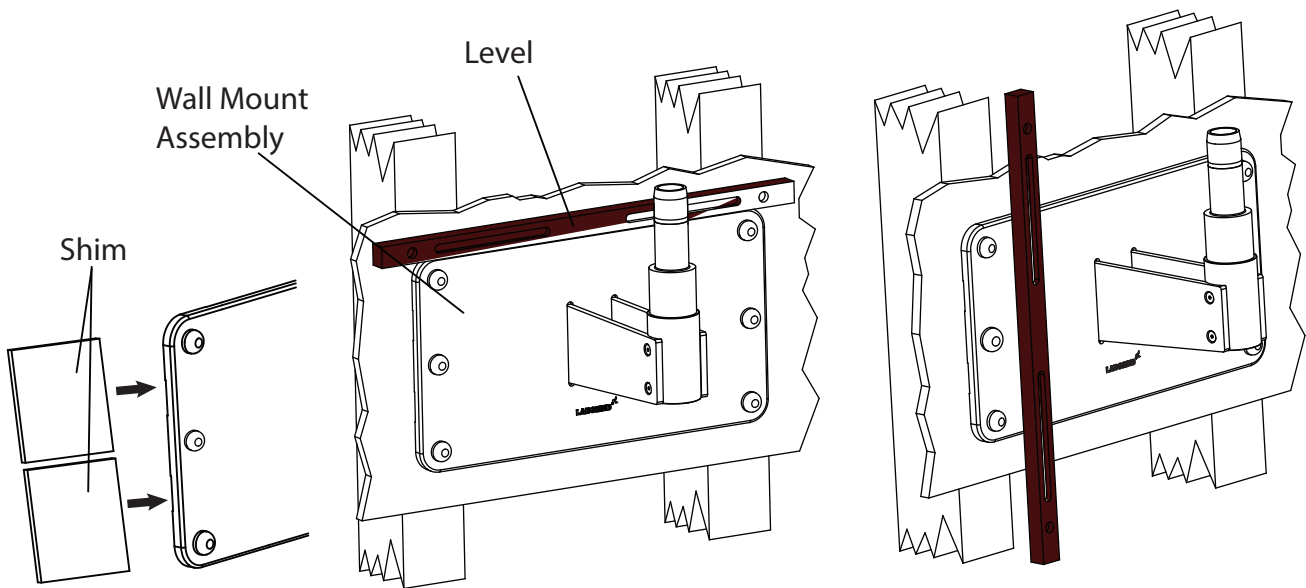


Fig No. 11

1. Slightly tighten the bolts on the top side- leaving the bottom bolts slightly loosened.
2. Place a level across the top of the back plate to check the horizontal leveling. See Figure 11 .
3. Use the 17mm socket and ratchet to slightly loosen the 3/8" x 4" hex head lag screws in the corners of the back plate.
4. Adjust the back plate until it is level and tighten the three lag screws on the bottom leaving the top lag screws loosened slightly.
5. Place a level vertically along the face of the wall Mount, on both sides, to ensure it is perpendicular to the floor. See Figure 11 .
6. If the wall mount is not perpendicular, insert shim material between the wall mount and the wall next to the lag screws Refer figure-11.
Check with the level and tighten the lag screws once the mount is level.
7. Check the other side and insert shims as needed and then tighten the lag screws.
8. When the Wall Mount is level, both horizontally and vertically, securely tighten all Six lag screws.

WALL MOUNT INSTALLATION ON SOLID BRICK MASONRY WALL MINIMUM 9" THICK

For securing this Wall Mount Model to a Solid Brick wall, Use the Six(6) M10 X 75mm RAWL Anchor bolts provided. See Figure below.

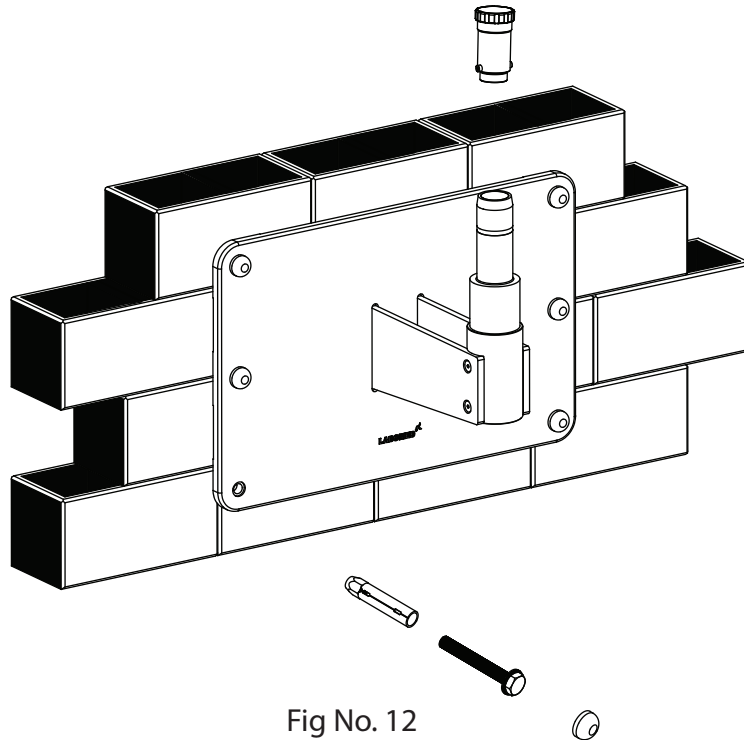


Fig No. 12

1. Determine the desired location on the wall where the microscope is to be mounted.
2. Place the Paper template against the wall and fix with tape. Mark Six (6) holes ensuring template is straight.
3. Using a 16mm" masonry drill bit, drill Six (6) 16mm holes min 65mm deep in the wall spaced as Outlined above.
4. Use 10mm X 75mm long RAWL Anchor bolts.
5. Place the RAWL bolts through the holes and carefully insert the bolts into the wall.
6. Take out the threaded bolt.
7. Position the wall mount against the wall .Place flat washer under head of coach bolt and thread in the Six (6) RAWL bolts in the wall.
8. Using a 17mm socket and ratchet arrangement, tighten the Six (6) RAWL bolts securing the wall mount into position. Ensuring the wall mount (top edge and front face) is level.

NOTICE: Shims and shim materials are to be provided by the customer and are not furnished by Labomed. There are numerous shims materials commercially available and no specific type or brand name is implied.

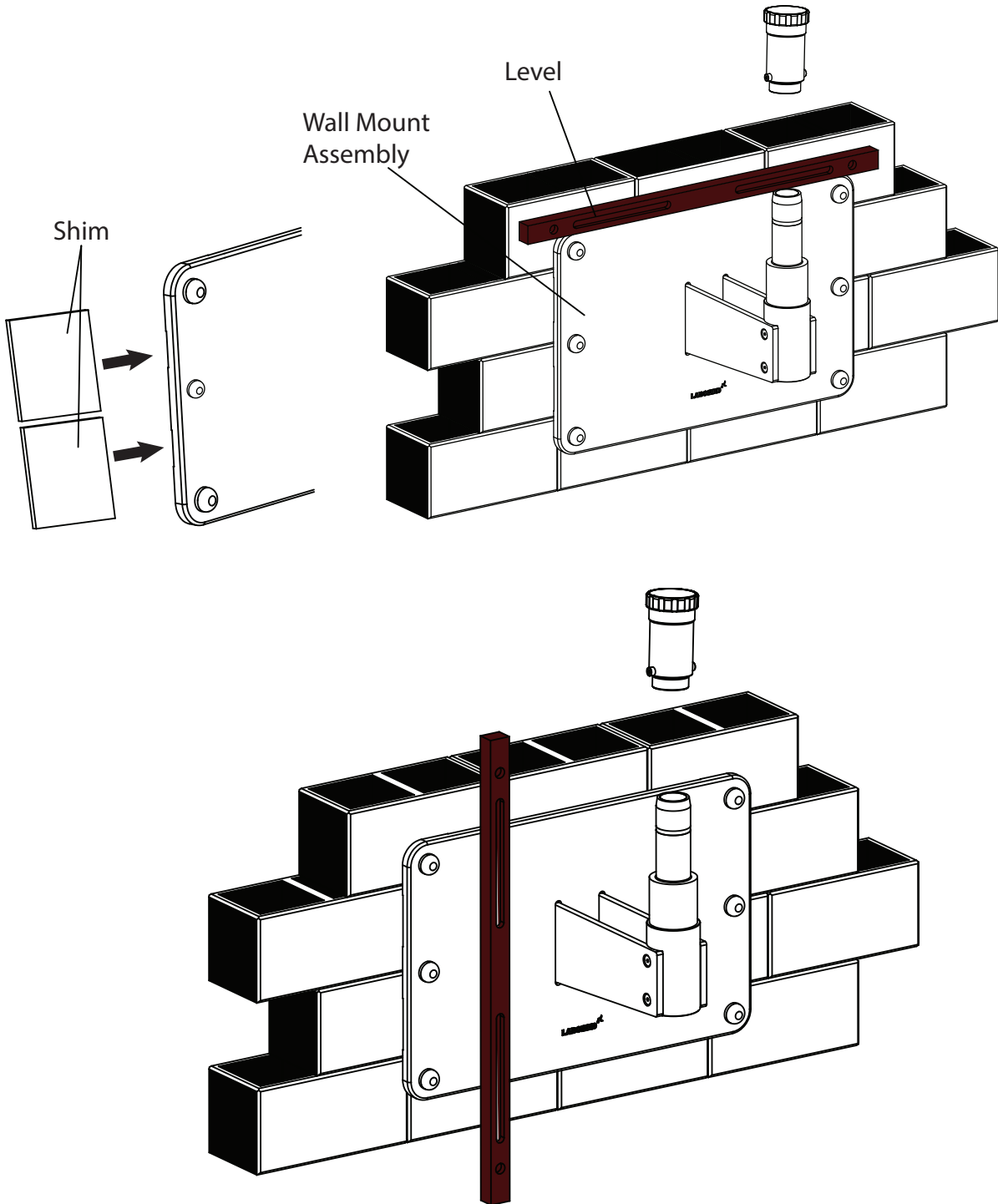


Fig No. 13

LEVELING THE WALL MOUNT ON MASONRY WALL

1. Slightly tighten the bolts on the top side- leaving the bottom bolts slightly loosened.
2. Place a level across the top of the back plate to check the horizontal leveling. See figure-13.
3. Use a 17mm Socket & Ratchet arrangement to slightly loosen the Six (6) toggle bolts in the corners of the back plate.
4. Adjust the wall mount until it is level and tighten the three RAWL bolts on the bottom leaving the top toggle bolts loosened slightly.
5. Place a level vertically along the face of the back plate, on both sides, to ensure it is perpendicular to the floor. See figure-13
6. If the back plate is not perpendicular, insert shim material between the back plate and the wall next to the RAWL bolts. Check with the level and tighten the toggle bolts once the mount is level.
7. Check the other side and insert shims as needed and then tighten the toggle bolts. See figure-13.
8. When the back plate is level, both horizontally and vertically, securely tighten all Six toggle bolts.

INSTALLING THE HORIZONTAL ARM ASSEMBLY

1. Open the microscope arm box and take out the arm.
2. Unscrew the threaded plug from wall mount shaft as shown in fig-13.
3. Assemble the Arm on wall mount shaft referring fig.3 and Reinstall the threaded plug into place.
4. Complete the rest of Installation as per fig.1,2,3 or 4 as ordered.

For further Installing & Use of the Microscope : Refer User Manual of Prima ENT/DNT Section-7 onwards.

Constructional requirements for the wall mount

1. The 6137100 wall mount must only be installed as recommended in this manual.
2. The construction specialist responsible must confirm in writing that the applicable regional and local codes & regulations have been complied and the points listed below are taken care. The customer must keep this confirmation with his records on the wall mount. A copy of this document must be provided to labomed representative dealer.
3. The wall Post on which the Prima wall mount is to be mounted must have the following load Capacity:
Perpendicular force: minimum 2500 N
Torque:
Perpendicular to the wall 2500 Nm minimum Parallel to the wall 2000 Nm minimum
Also take into account any additional loads acting on the wall and any other loads anchored in the wall.
The wall construction must comply the requirements.
4. The wall flange must be aligned in a vertical and horizontal direction as explained in this manual.

Note:

If an existing wall anchor plate is ever exchanged, never re-use the old anchors. New anchor holes must be drilled. When calculating the effective strength of the new anchors, make sure to take into Account the weakening effective of the holes in the wall.

- 5 . On the basis of the above aspects, the person responsible for the building must decide on and take responsibility for the most suitable method of anchoring.

Control and Power Supply of the system

Note:

The maximum weight of accessories on Prima surgical microscope must not exceed 7kg.

The weight of this wall mount without surgical microscope is 27Kg.

Power line: 3 X 1.5mm²

Fusing: 2.5A

Power consumption: max. 200W

Note:

A socket with properly installed protective earth connection must be provided at the installation site on wall flange. The terminals for power connection are allocated on wall.

Potential equalization: Take the necessary actions in the building to include the instrument in the protective measure of "potential equalization."

Note:

The Prima suspension systems including the components mentioned here comply safety requirement with CE, MDD 92/42 EEC and IEC 60601-1-3rd

Such activities as the installation of the flange and the installation of conduits and electrical lines are the customer's responsibility.

Confirmation of structural calculation and execution

We hereby confirm that the installation of this Prima wall mount 6137100-806 from Labomed is the sole responsibility of the customers and will be in compliance with the applicable national standards and regulations.

Customer's name and address:

Project (address of site of installation, if required):

For proper execution of installation: Name and address of executing company:

Date:

Signature:

Labo America, Inc.
920 Auburn Court
Fremont CA 94538
U.S.A.

Fax: (510) 991 9862
Global: sales@laboamerica.com
www.laboamerica.com

Revision History

Rev. No.	Date of Release	ECR #	Change	App. By
1.2	4/4/2019	DCR/10/19	Long Arm Added	S.Bal
1.3	18/1/2020	DCR/03/2020	Technical changes insallation procedure added	S.Bal
1.5	Aug, 2024	DCR/11/2024	Regulatory information	S.Bal



Labo America Inc.
920 Auburn Court
Fremont, CA
94538
U.S.A.

Phone: 510-445-1257
Fax: 510-991-9862
Email: sales@laboamerica.com
www.laboamerica.com

EU|REP.

Labomed Europe
Essebaan 50
NL-2908 LK Capelle a/d IJssel
The Netherlands
Tel: +31 (0)10 4584222
Fax: +31 (0)10 4508251
E-mail: info@labomedeuropa.com



DQS Inc.
Labo America Inc.
Registered to ISO 9001:2015
BR Number 10005565



LABOTECH MICROSCOPES INDIA Pvt Ltd