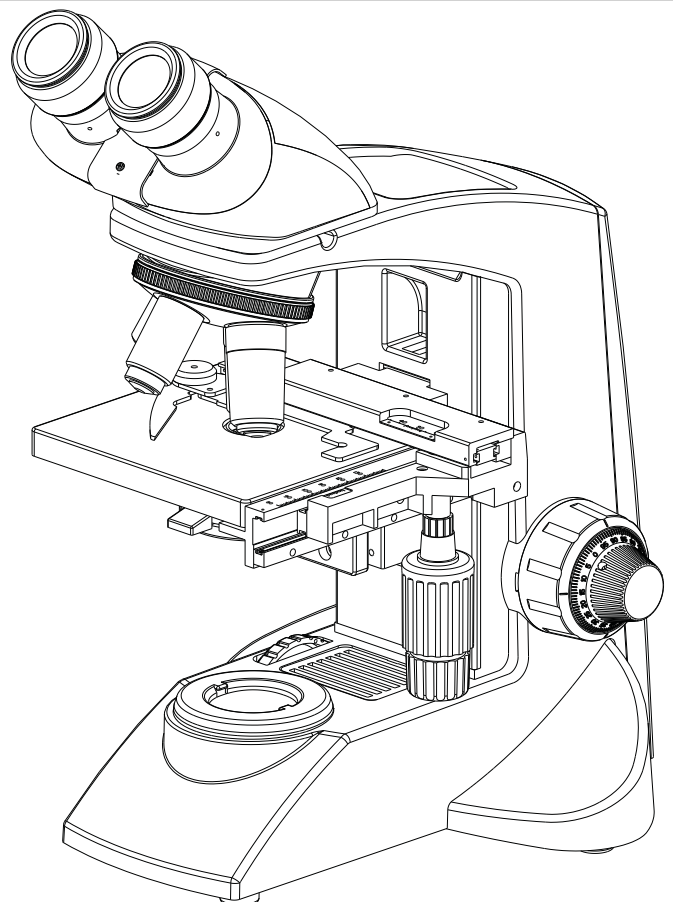


CxL Polarizing Kit User Manual



To ensure proper use of this instrument as well as to avoid injury while operating instrument, understanding this manual completely before use is highly recommended.

9121035-795

www.laboamerica.com

Issue 1.2
Printed on July, 2023

INTRODUCTION

A polarizer is an optical device capable of transforming unpolarized or natural light into polarized light by selective transmission of polarized rays.

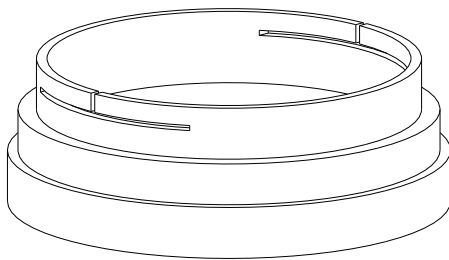
The Analyzer is an optical device capable of producing light and is used for detecting the effect of polarized light on an object produced by the Polarizer.

Polarized light microscope have a high degree of sensitivity and can be utilized for both quantitative and qualitative studies targeted at wide range of anisotropic specimens. Polarized light is especially useful in identifying and characterizing various mineral crystals.

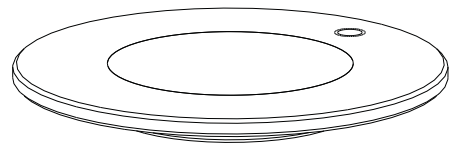
PACKING LIST

CxL Polarizing Kit (9121035)

- 1) Polarizer
- 2) Analyzer
- 3) User guide



1



2

Please make sure all contents of the Polarizing Kit are intact. If any physical damage is visible, please contact your local distributor.

INSTALLATION

1. Remove the observation head from its position and install the analyzer by firmly placing the positioning pin of analyzer into the locating hole of dovetail adapter as shown in Fig. 1 and Fig. 2
Remount the observation head into its position.

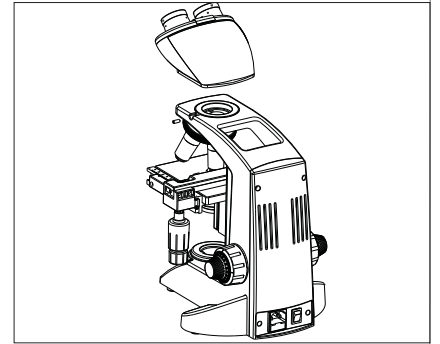


Fig. 1

2. Remove the blue filter from condenser assembly as shown in Fig. 3.

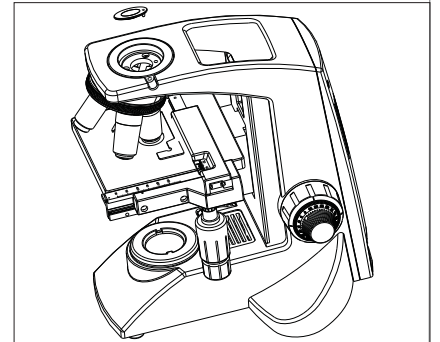


Fig. 2

3. Gently fit the polarizer into the condenser's base from where the blue filter has been removed as shown in Fig. 4

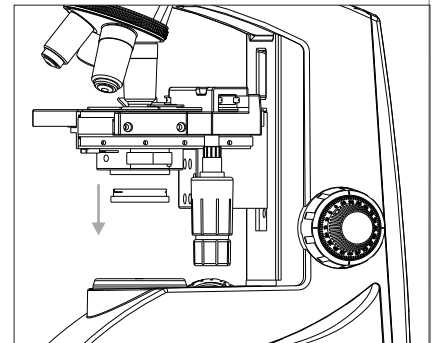


Fig. 3

4. Now the polarizer kit is ready for use as shown in Fig. 5

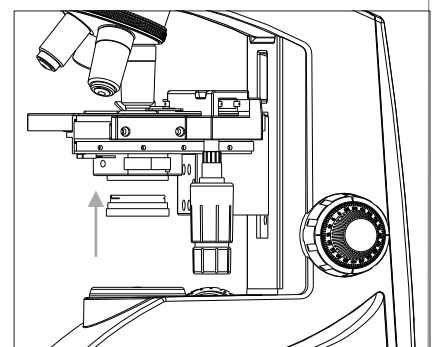


Fig. 4

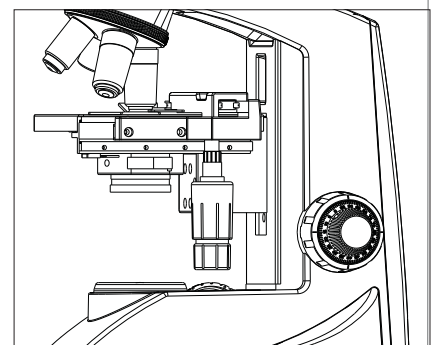
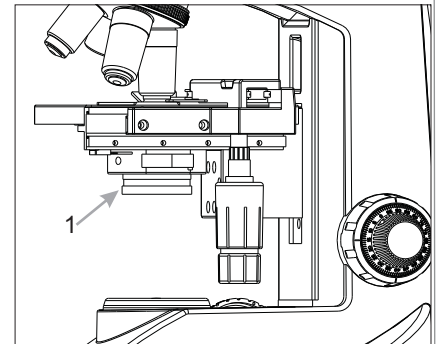


Fig. 5

OPERATING INSTRUCTIONS

- Turn ON the illumination system of the Microscope.
- Place the observation specimen on the glass plate of the Analyzer.
- For initial setup of the instrument, the fiducial line of the polarizer should coincide with 0 on scale. At this position the analyzer and polarizer set should show the brightest field. 90° left or right of this position will yield darkest field.
- Adjust the required angle of incident polarized light using the scale provided on the polarizer while viewing the image through the eyepieces.
- Rotate the polarizer slowly to achieve the required position.



CARE & MAINTENANCE

- Loose particles can be removed from the surface of the Analyzer and Polarizer by gently wiping them with lens tissue dampened with Acetone or Methanol.
- It is better to avoid leaving finger prints on the surface of Analyzer and Polarizer.
- When not in use for long time, it is recommended to store the polarizing kit in its original packaging.

Our policy is one of continuous development. Labo America, Inc., reserves the right to change design and specifications without prior notice.

Labo America Inc.
920 Auburn Court
Fremont
CA 94538

U.S.A.
Telephone: 510 445 1257
Fax: 510 991 9862
sales@laboamerica.com

