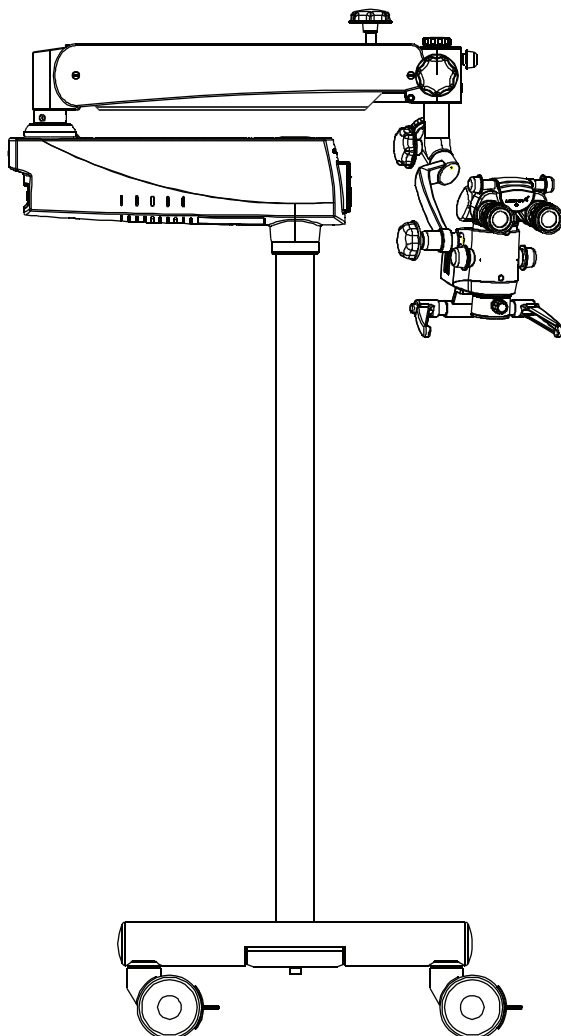


PRIMA M μ MICROSCOPE

User Manual



Caution:

To ensure proper use of this instrument as well as to avoid injury while operating Instrument, understanding this manual completely before use is highly recommended.

PRIMA Mμ is a Trade name of LABOMED Microscopes.

LABOMED is a registered trademark of Labo America, Inc.

All other trademarks are the property of their respective owners.

The information contained in this document was accurate at the time of publication. Specifications are subject to change without prior notice. LABOMED reserve the right to make changes to the product described in this user manual without notice and without incorporating those changes in any products already sold.

ISO 9001/13485 Certified - LABOMED products are designed and manufactured under quality processes that meet ISO 9001/13485 requirements.

No part of this publication may be reproduced, stored in a retrieval system, or transmitted in any form or by any means: electronic, mechanical, recording, or otherwise, without the prior written permission of LABOMED.

TABLE OF CONTENTS

1.	Introduction and Intended use	1
2.	Product Description	2
3.	Warning & Cautions	3 - 4
4.	Explanation of Symbols	5
5.	Standard and Directives applicable	6
6.	Condition of instrument at the time of unpacking/supply	7
7.	Installation Instruction	8 - 9
	Installation	
8.	Electrical Connection	10
	Replacing the illumination source	10
	Fuse Replacement	10
	Data Plate Details	10
	Wiring Coding Diagram	11
9.	Control Elements	12
10.	Instruction for using the microscope	13 - 14
11.	Changing the Objective & Eyepieces	15
12.	Use of Accessories	16-17
13.	Tension Adjustment while using accessories	17
14.	Moving Position	18
15.	Care and Maintenance	19 - 20
16.	Cleaning and Disinfection	21
17.	Autoclaving	21
18.	Ambient Requirement	22
19.	Disposals	22
20.	Troubleshooting Table	23
21.	Technical Specification	24
22.	Guidance Tables	25 - 28
23.	Measures & Weight	29- 30
24.	Glossary	31 - 32
25.	Warranty	33

1. INTRODUCTION

The LABOMED Prima M μ is a surgical and diagnostic microscope which is adaptable for different surgical needs for consistent visualization during all intra operative phases of DNT surgeries by providing magnified view of the surgical field without compromise to performance.

Salient features of this Microscope are:

1. The observation head can easily be positioned with the help of a suspension arm.
2. An advanced 3-step magnification changer allows an optimal magnification for a particular surgery from three different magnifications.
3. Cold light illumination with a high intensity 27W LED lamp is provided in magnichanger for proper illumination. The illumination is further adjustable up to its most suitable brightness using intensity control knob suitably located at the suspension arm, and is easily approachable to the surgeon.
4. When the colposcope is not in use, the suspension arm can be folded over the main body to store it compactly.
5. Dual iris Diaphragm allows greater depth of field particularly valuable for photography.
6. Rigid H-form base with castor wheels provides greater stability as well as mobility to the instrument.

INTENDED USE

Prima M μ Surgical Microscope is an AC powered device intended for use during diagnosis and Surgery to provide a magnified view of surgical field.

Note: The use of Prima M μ Microscope is purely for intended use.

CONFIGURATIONS

Microscope	Catalogue No.
Prima Mu - ENT	6212000
Prima Mu - DNT	6211000
Prima Mu floor, no mobile stand	6211008
Prima Mu - OPH - Cataract	6214000
Prima Mu - Table Mount Dental trainer	6215000
Prima Mu - Table Mount ENT trainer	6212100

2. PRODUCT DESCRIPTION

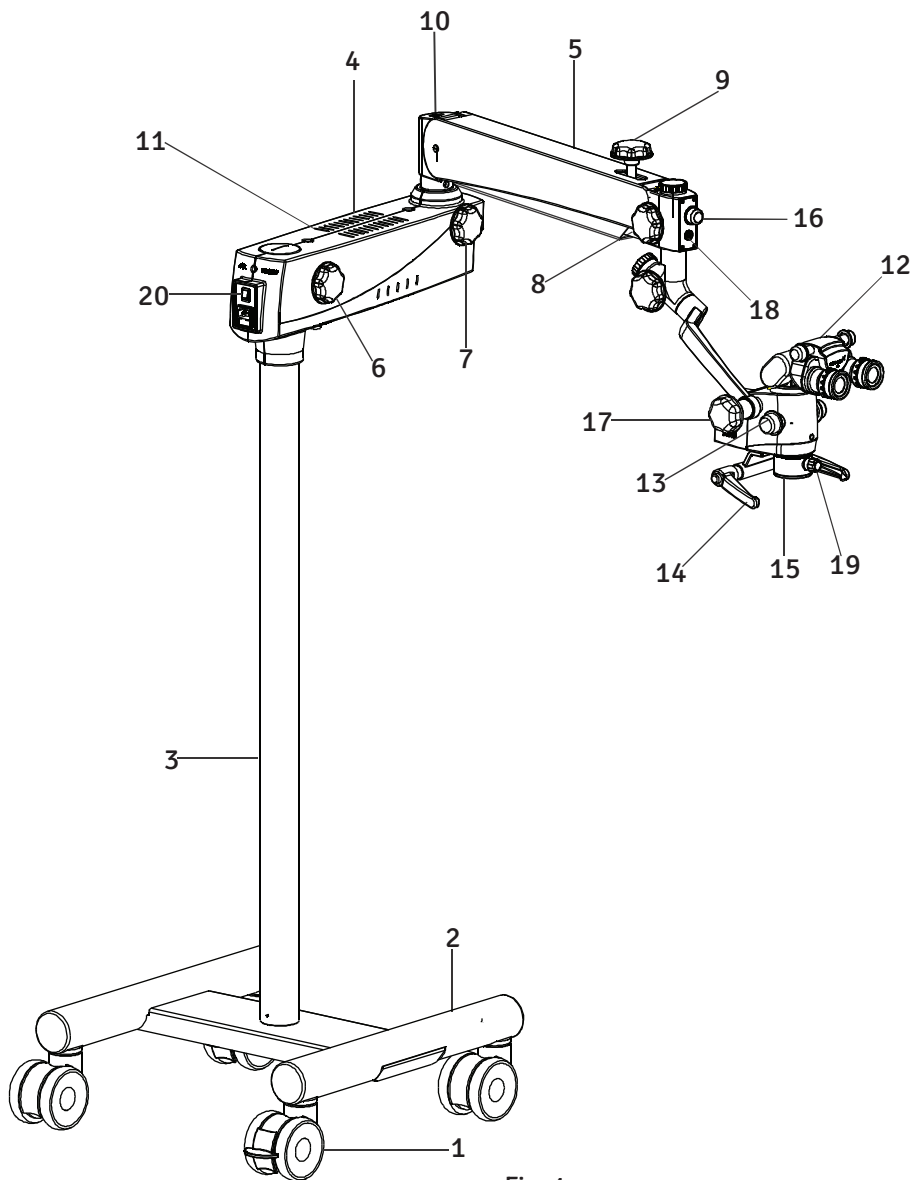


Fig. 1

- | | |
|--|---|
| 1. Wheel with Brakes | 13. Magnichanger |
| 2. Metal Base | 14. Handle |
| 3. Column | 15. Common Main Objective |
| 4. Swivel arm | 16. Illumination Control Knob |
| 5. Suspension arm | 17. Magnichanger tiltation control knob |
| 6. Swivel Arm Locking Knob | 18. Inlet for LABOMED camera |
| 7. Suspension arm movement locking knob | 19. Fine focusing knob |
| 8. Coupling movement locking knob | 20. On/Off switch |
| 9. Suspension arm hydraulic movement lock | |
| 10. Suspension arm spring tension adjustment | |
| 11. Swivel arm cover | |
| 12. Binocular head with eyepieces | |

3. WARNING AND CAUTIONS

LABOMED is not responsible for the safety and reliability of this instrument when:

- Assembly, disassembly, repair, or modification is made by unauthorized dealers or persons.
- The instrument is not used in accordance with this user manual.

A **WARNING** is an instruction that draws attention to the risk of injury or death.



WARNING: USERS OF THIS EQUIPMENT SHOULD BE THOROUGHLY TRAINED IN THE APPROPRIATE MEDICAL PROCEDURES. FURTHERMORE, THEY SHOULD TAKE THE TIME TO READ AND UNDERSTAND THESE INSTRUCTIONS BEFORE PERFORMANCE ANY PROCEDURE. THEY SHOULD ALSO READ AND UNDERSTAND THE INSTRUCTIONS FOR ANY OTHER EQUIPMENT USED IN CONJUNCTION WITH THIS MICROSCOPE (i.e. ELECTRO SURGICAL GENERATORS). FAILURE TO DO SO MAY RESULT IN INJURY TO THE PATIENT AND/OR DAMAGE TO THE COLPOSCOPE.

WARNING: UNITED STATES FEDERAL LAW AND EUROPEAN REGULATIONS REQUIRE THAT THIS DEVICE BE PURCHASED ONLY BY A PHYSICIAN OR A PERSON ACTING ON BEHALF OF A PHYSICIAN.

WARNING: THIS INSTRUMENT SHOULD BE USED IN STRICT ACCORDANCE WITH THE INSTRUCTIONS OUTLINES IN THIS USER'S GUIDE. THE SAFETY OF THE OPERATOR AND THE PERFORMANCE OF THE INSTRUMENT CANNOT BE GUARANTEED IF USED IN A MANNER NOT SPECIFIED BY LABOMED.

WARNING: DO NOT REPAIR OR SERVICE THIS INSTRUMENT WITHOUT AUTHORIZATION FROM LABOMED. ANY REPAIR OR SERVICE TO THIS INSTRUMENT MUST BE PERFORMED BY EXPERIENCED PERSONAL OR DEALERS TRAINED BY LABOMED OTHERWISE SERIOUS INJURY TO THE OPERATOR OR PATIENT MAY OCCUR.

WARNING: ANY MODIFICATION TO THIS UNIT MUST BE AUTHORIZED BY LABOMED OTHERWISE SERIOUS INJURY TO THE OPERATOR OR PATIENT MAY OCCUR.

WARNING: IF THIS INSTRUMENT IS MODIFIED, APPROPRIATE INSPECTION AND TESTING MUST BE CONDUCTED TO ENSURE CONTINUED SAFE USE OF THIS INSTRUMENT.

WARNING: ENSURE THAT THE VOLTAGE APPLIED TO THE UNIT IS THE SAME AS INDICATED ON THE DATA PLATE OTHERWISE DAMAGE TO THE UNIT MAY OCCUR.

WARNING: TO USE IN FLUCTUATION VOLTAGE ENVIRONMENT, CONSTANT VOLTAGE STABILIZER IS RECOMMENDED FOR SAFE & EFFICIENT USE OF DEVICE.

WARNING: TO AVOID RISK OF ELECTRIC SHOCK AND FOR SAFETY OF INSTRUMENT THIS INSTRUMENT MUST BE PLUGGED INTO AN OUTLET WITH AN EARTH GROUND. DO NOT REMOVE OR DEFEAT THE EARTH GROUND CONNECTION ON POWER INPUT CONNECTOR OF THE UNIT'S POWER CORD.

WARNING: THE EQUIPMENT OR SYSTEM SHOULD NOT BE USED ADJACENT TO OR STACKED WITH OTHER EQUIPMENT. IF ADJACENT OR STACKED USE IS NECESSARY, THE EQUIPMENT SHOULD BE OBSERVED TO VERIFY NORMAL OPERATION IN SUCH CONFIGURATION.


WARNING: THIS INSTRUMENT IS NOT SUITABLE FOR USE IN THE PRESENCE OF FLAMMABLE ANESTHETIC MIXTURES, SUCH AS OXYGEN OR NITROUS OXIDE.

WARNING AND CAUTIONS

WARNING: LED RADIATION - DO NOT STARE DIRECTLY INTO THE BEAM WHEN THE MICROSCOPE IS IN THE 'ON' POSITION.

WARNING: THE USE OF ACCESSORIES OR CABLES OTHER THAN THOSE SPECIFIED, BY LABOMED AND OTHER UNAUTHORIZED REPLACEMENT PARTS FOR THE INTERNAL COMPONENTS, MAY RESULT IN INCREASED EMISSIONS OR DECREASED IMMUNITY OF THE EQUIPMENT.

A **CAUTION** is an instruction that draws attention to the risk of damage to the product.

 **CAUTION:** THE INTERNAL CIRCUITRY OF THE INSTRUMENT CONTAIN ELECTROSTATIC SENSITIVE DEVICES (ESD) THAT MAY BE SENSITIVE TO STATIC CHARGES PRODUCED BY THE HUMAN BODY. DO NOT REMOVE THE COVERS WITHOUT TAKING PROPER ESD PRECAUTIONS.

CAUTION: DO NOT USE SOLVENTS OR STRONG CLEANING SOLUTIONS ON ANY PART OF THIS INSTRUMENT, AS DAMAGE TO THE UNIT MAY OCCUR SEE THE CARE AND MAINTENANCE SECTION FOR DETAILED CLEANING INSTRUCTIONS.

CAUTION: MEDICAL ELECTRONIC EQUIPMENT NEEDS SPECIAL PRECAUTIONS WITH RESPECT TO ELECTROMAGNETIC CHARGE (EMC) AND NEEDS TO BE INSTALLED AND SERVICED ACCORDING TO THE EMC INFORMATION PROVIDED IN THE ACCOMPANYING DOCUMENTS.

CAUTION: PORTABLE AND MOBILE RF COMMUNICATIONS EQUIPMENT CAN AFFECT MEDICAL ELECTRICAL EQUIPMENT.

CAUTION: THIS INSTRUMENT IS NOT TO BE USED NEAR HIGH-FREQUENCY EMITTING SURGICAL EQUIPMENT.

CAUTION: DO NOT CONNECT ANY EQUIPMENT TO THE DEVICE OTHER THAN THOSE INTENDED FOR USE WITH THE DEVICE.

CAUTION: DO NOT USE A CONVERTER ADAPTER THAT WILL CONVERT THE THREE-PRONG AC PLUG TO A TWO-PRONG LINE PLUG, THE POWER SUPPLY IN THIS MICROSCOPE WILL NOT BE PROPERLY GROUNDED, AND ELECTRIC SHOCK MAY RESULT.

CAUTION: REMOVE THE AC POWER PLUG FROM THE WALL SOCKET WHILE CHECKING FOR A BLOWN FUSE.

CAUTION: DO NOT ROLL THE INSTRUMENT OVER CABLES OR HOLES.

CAUTION: DO NOT REMOVE FERRITE BEADS IF APPLIED TO CABLES.

4. EXPLANATION OF SYMBOLS



Caution:

Observe all warning labels and notes!

If any label is missing on your instrument or has become illegible, please contact us or one of our Authorized representatives. We will supply the missing labels.



Brightness Control: After the illumination has been switched on, the user can continuously adjust brightness by turning the knob appropriately.



Accompanying documents must be consulted.



Compliance to medical devices regulation MDR 2017/745.



Protective earth.



This way up – indicates the correct upright position of the transport package.



Keep dry – the transport package shall be kept away from rain.



Year of manufacture used on product data plate.



Fragile- content of the transport package are fragile and should be handled with care.



Electromagnetic interference can occur in the vicinity of devices carrying this symbol.



Alternate current.



Recycling of packaging materials.



U.S. Federal law restricts this device to sale by or on the order of a physician.



Separate disposal of waste electrical equipment.



Unsafe for use with MR (Magnetic Resonance).



Permissible humidity range during transport and storage.



Permissible pressure range during transport and storage.



The product complies with US and Canadian safety requirements.



Permissible temperature range during transport and storage.

5. STANDARDS AND DIRECTIVES

The instrument described in this user manual has been designed in compliance with the following standards:

- ISO 15004-2 First edition 2007-02-15. Ophthalmic instruments and test methods. Part 2: light hazard protection.
- ISO 9001/13485 quality management systems approved by UL(notified body).
- ISO 14971-2019 Risk management to medical devices.

DIRECTIVE USED

- MDR 2017/745 Annex VIII and Rule 13
- IEC 60601-1-3.1 edition (2012)
- IEC 60601-1-2-3rd edition (2014)
- EN 55011:2016

CLASSIFICATIONS

- For Europe, per MDR 2017/745, the unit is a Class I instrument, per rule 13, Annex VIII.
- For the United States, the FDA classification is Class I.
- Please observe all applicable accident prevention regulations.

6. CONDITION OF INSTRUMENT AT TIME OF UNPACKING/SUPPLY

The appliance is delivered in sub-assembled modular groups along with one Installation Kit and one user manual.

Please check for the following when unpacking the device:

1. Mobile supporting base with brakes on castor wheels, or the type of mounting system.
2. Column, depending on the type of mount ordered.
3. Swivel arm and suspension arm assembly with fiber optic cable.
4. Cover for Swivel arm (pre-fitted to the microscope)
5. Inclined coupling with magni-changer assembly and objective (as ordered)
6. Observation Head, (inclined or ergo) as ordered.
7. Pair of eyepieces, as ordered.
8. Power cord.
9. Installation Kit
 - a. Allen wrench 5 mm
 - b. Allen wrench 8 mm
10. User manual

7. INSTALLATION

- 7.1 Install the base by fixing the both sides (A) & (B) on the metal plate (D) as shown in Fig.-1 by tighten the allen screws provided from the bottom of the metal plate.

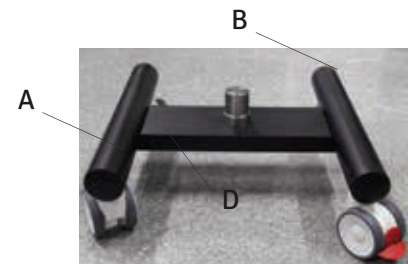


Fig. 1

- 7.2 Referring Fig.- 1.a the base is installed by fixing the column (C) on the shaft (E). Engage the column onto the shaft by aligning three tapped holes.

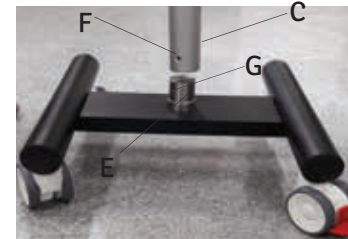


Fig. 1a

Referring Fig.- 2 tighten three allen screws (H) with 4mm allen wrench.



Fig. 2

- 7.3 Retrieve the swivel arm and suspension arm assembly from the packing box and follow Instruction as below (refer Fig.-3)

Ensure loosening of swivel arm lock knob (A).

Install the swivel arm assembly on the upright holding shaft (1) figure 3.

Lock the swivel arm with threaded screw (2) from the top.

Loosen suspension arm locking (B) knobs so that it can be rotated.

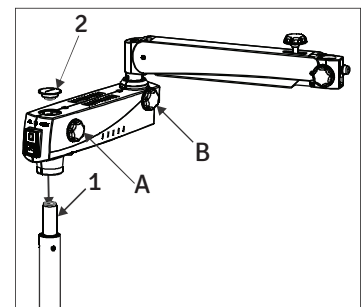


Fig. 3

INSTALLATION

7.4 Retrieve the carrier assembly from the packing and follow as below refer Fig.-4.

- Install the coupling to the suspension arm by sliding the guiding shaft (1) into the suspension arm.
- Lock the inclined coupling with the threaded plug (2).

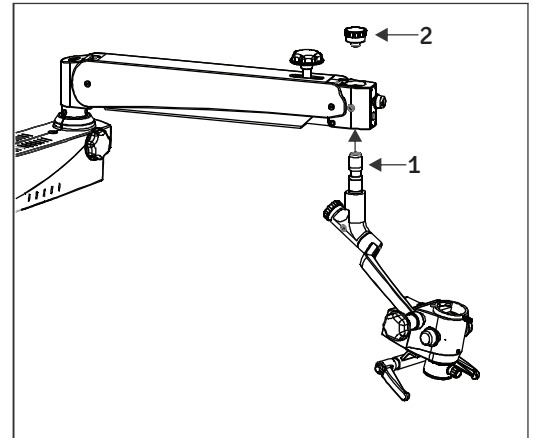


Fig. 4

7.5 Providing power to LED

- Switch off the illumination system
- The power comes pre-routed through swivel arm (that houses the power system) and the suspension arm.
- Insert the power supply wire into the receptacle in the microscope till it properly tighten into position as shown as A in Fig.-5.
- Make sure that wire has been routed in such a way that the carrier system and the surgical microscope are not obstructed, and that they be moved in their entire range of movement without stretching, extreme, kinking or twisting of the light guide.

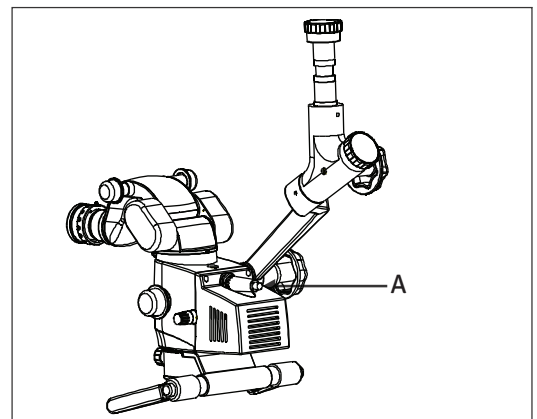


Fig. 5

7.5 Install the binocular head and eyepieces on the magni-changer. Secure the binocular head with head locking screw shown as (A) in Fig.-6.

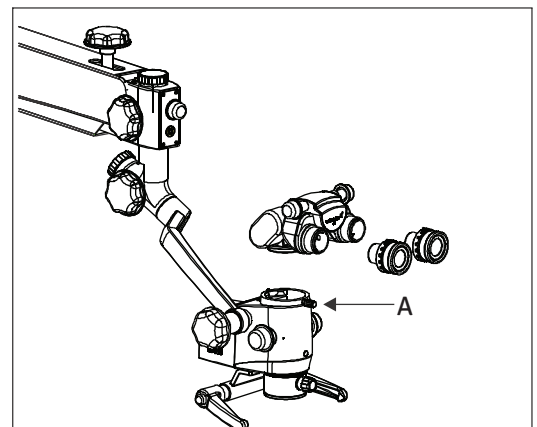


Fig. 6

8. ELECTRICAL CONNECTIONS

Connect the power cable to the AC inlet socket (2) provided on the back of the swivel arm as shown in the fig.-7.

Switch on the power from on/off switch (1).

Note: Power supply is designed with universal input 100V - 240V AC, 50/60HZ. To plug in follow Instruction on electrical label provided at bottom of the arm as shown (3) here in Fig.-7.

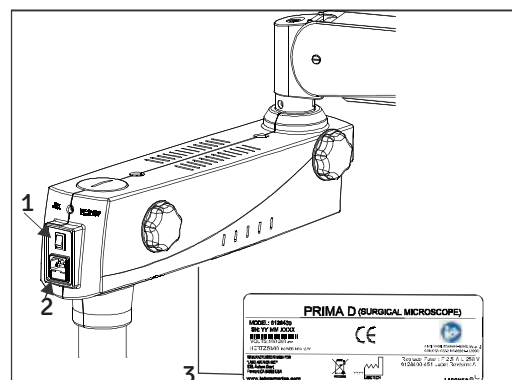


Fig. 7

8.1 REPLACING THE ILLUMINATION SOURCE

Open the swivel arm cover's. Detach the fibre optic cable and replace the illumination assembly A with new assembly. Secure back the arm cover's.

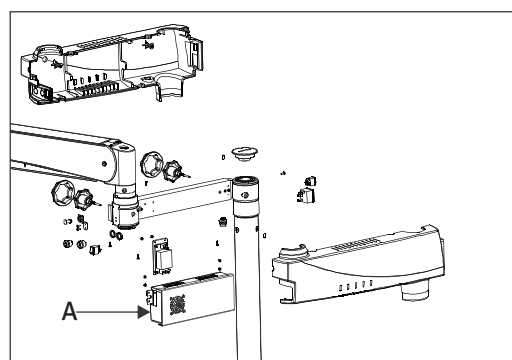


Fig. 8

8.2 FUSE REPLACEMENT

The fuse is located with the AC inlet, provided near the on/off switch. Use a flat head screw driver to open the fuse compartment. Two fuses are provided in this, i.e. one is live fuse and second as spare fuse. Replace the blown fuse with live fuse and secure back the fuse compartment. For fuse replacement refer label shown in fig.-9.

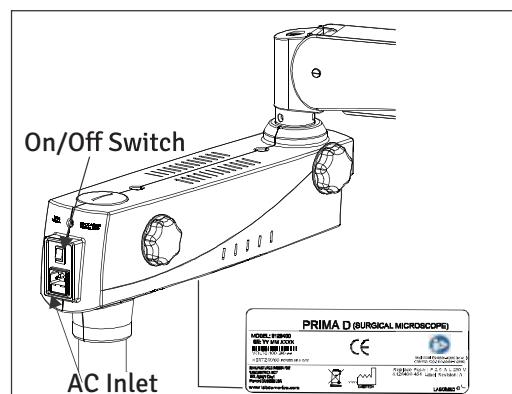


Fig. 9

8.3 DATA PLATE FOR PRIMA M μ MICROSCOPE

Device Name: PRIMA M μ (SURGICAL MICROSCOPE)

Model Number: MODEL: 6211000

Serial Number: SN: YY MM XXXX

Input Voltage: VOLTS: 100-240

Frequency: HERTZ 50/60 POWER MAX 60 W

Max. Load: MANUFACTURED IN INDIA FOR "LABO AMERICA INC." 920, Autumn Court, Fremont CA 94538 USA www.laboamerica.com

Separate Disposal waste electric device

Manufacturer: LABOTECH

Accompanying Document must be consulted

IEC60601-1:2005 Labeling for USA & Europe

IEC60601-1:2005 Labeling for Canada

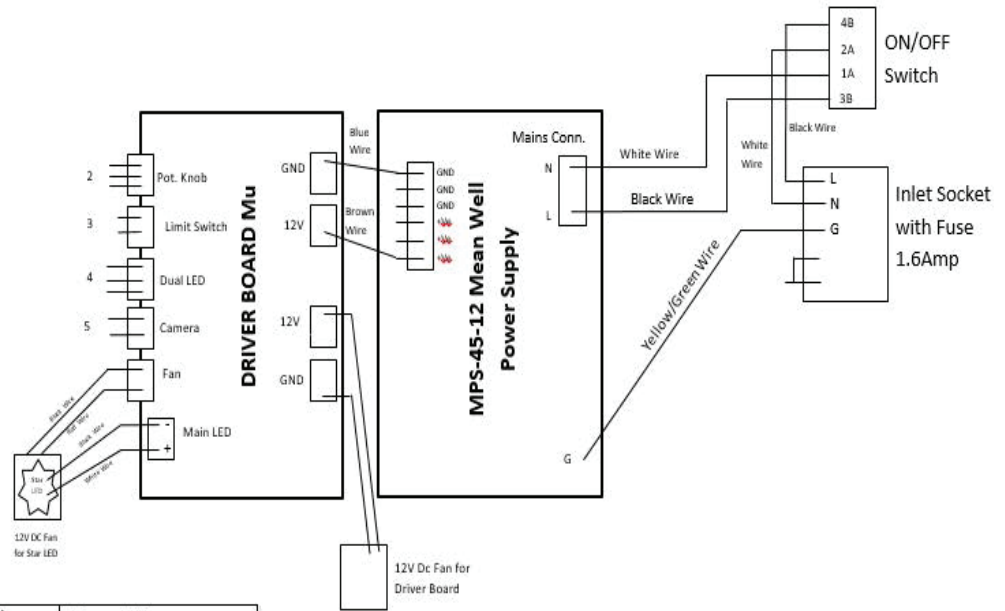
Fuse Rating: Replace Fuse : F 2.5 A L 250 V 6 211000-451 Label Revision: A

Label Control Number

Company Trademark: LABOMED

ELECTRICAL CONNECTIONS

8.4. WIRING CODING DIAGRAM



Wire Marking No.	Power Supply Marking	Description
2	KNOB	Potentiometer Wire
3	SW	Limit Switch Wire
4	DLED	Dual LED Wire
5	CAM	Camera Wire

9. CONTROL ELEMENTS

9.1 ON/OFF SWITCH (SHOWN AS 1 IN FIG. 7 ABOVE)

It is located on the back of the swivel arm. At 'ON' position, green LED glows and cooling fan starts running. Keep the intensity control knob at minimum level before switching on the system.

To save burning life of LED, switch OFF the appliance if the microscope is not in use for longer time.

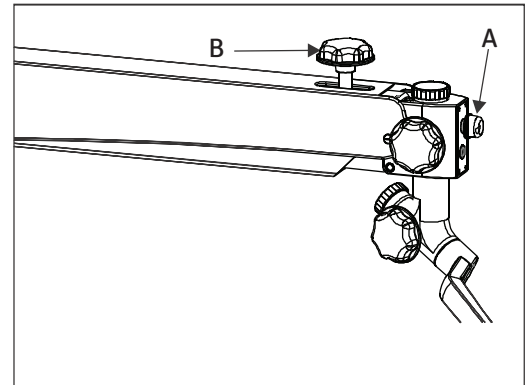


Fig. 10

9.2 INTENSITY CONTROL KNOB

It is located in front of the suspension arm shown as (A) in Fig.-10. Brightness of field of view can be adjusted as per user comfort using intensity control knob.

9.3 SWIVEL ARM LOCKING KNOB

This knob helps you to lock the movement of swivel arm at the desired position after initial focusing of the attendance area by turning it clockwise, knob is shown as (B) in Fig.- 10.

9.4 BRAKES

Locks the stand from unwanted movement by pressing down the two brakes provided on caster wheels. To unlock press upper portion of brake. See Figure-11.

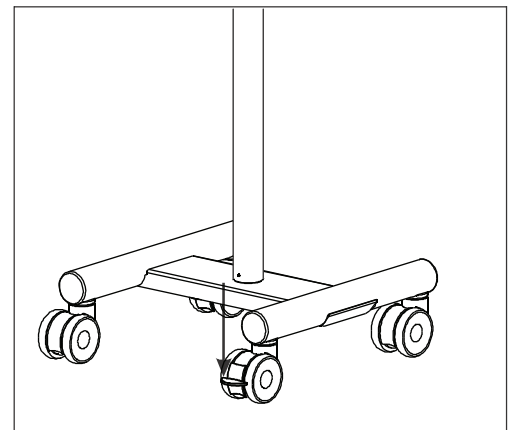


Fig. 11

10. INSTRUCTIONS FOR USING THE MICROSCOPE



WARNING:  INSTRUMENT IS UNSAFE FOR MRI ENVIRONMENT.

SETTING UP OF MICROSCOPE:

1. Lock all the brakes on base wheels after setting up of microscope on the attendance area for stability.
2. Although tension on microscope is factory present as per the ordered configuration. Still user can adjust up and down force by tuning the allen screw clockwise or anticlockwise with the help of a 8mm allen wrench. Refer Fig.-12 to see the exact location of tension adjusting screw.
3. Lock the up & Down movement of suspension arm using locking knob (B) in fig.-12 after focusing of the area of interest.
4. Adjust the eye distance as per IPD scale According to your convenience.
5. The illumination is controlled through the control knob (A), fig.-12. Rotate it clockwise or anticlockwise to achieve desired illumination level.

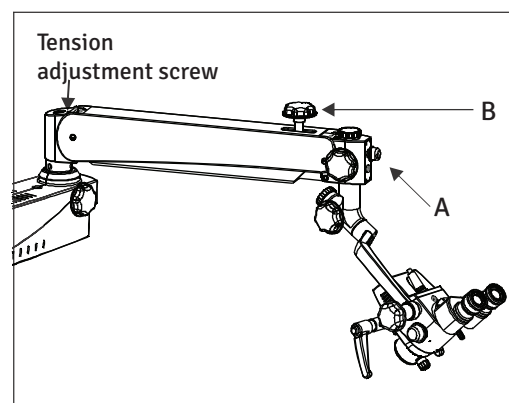


Fig. 12

SETTING UP OF MAGNIFICATION (Ref. Fig. 13)

1. Adjust to highest magnification with one of the rotating knobs (11a) provided at magnification changer.
2. Fine focusing is done by knob provided on CMO shown as (11d) in fig. 13.
3. Centering of observation area in field of view can be done by up & down movement with the help of manual handles (11c).
4. Make sure that the magnification changer is engaged in the index point at the click stop position.

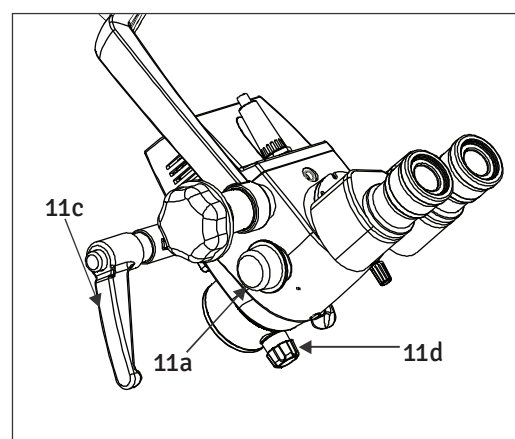


Fig. 13

MAIN MICROSCOPE

The objective lenses with fine focusing knob and focal lengths of 250mm is available for different working distances.

The ergo binocular tube (optional: straight and 45° inclined) is provided for the main surgery.

The standard equipment includes eyepieces with a magnification factor of 10X (option: 12.5X)

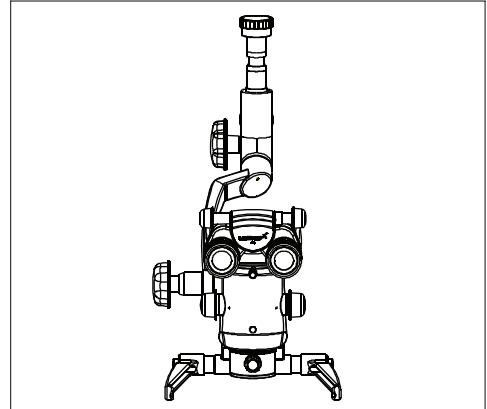


Fig. 14

11. CHANGING THE OBJECTIVES & EYEPIECES

1. The objectives can be taken out by rotating it in anti-clock wise direction. It can be threaded in by rotating in clockwise direction.
2. To install the eyepieces, insert in the eye tubes of observation head.
3. A range of objectives/eyepieces can be selected by choice.

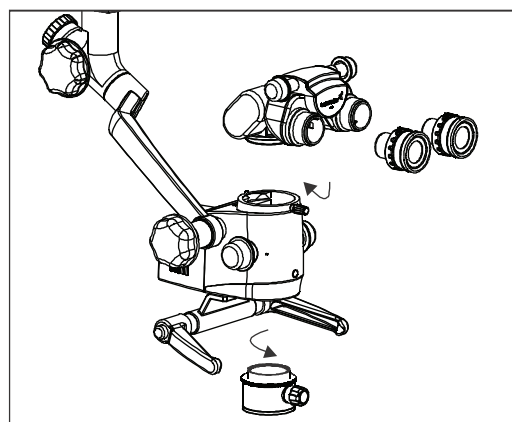


Fig. 15

12. USE OF ACCESSORIES

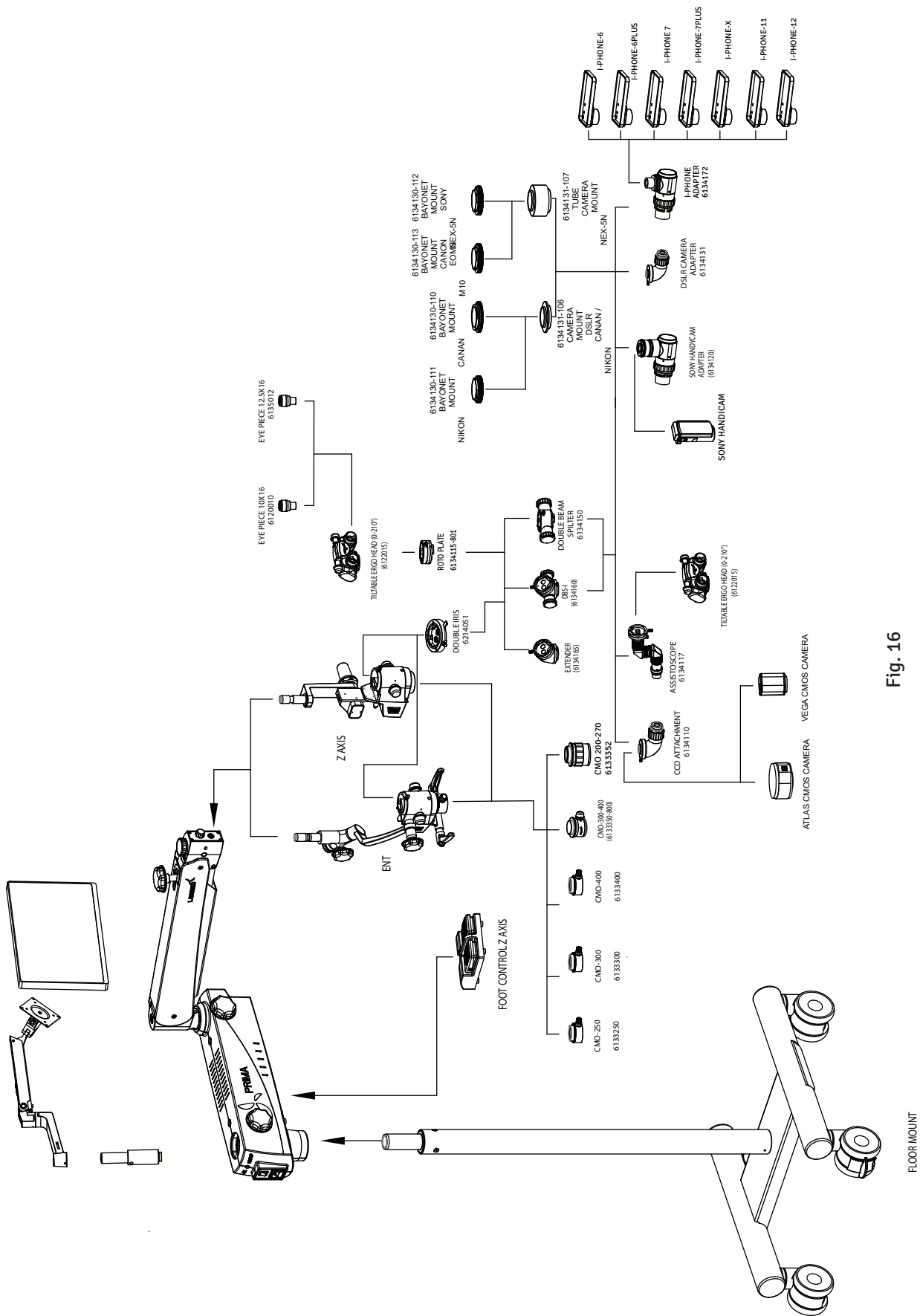


Fig. 16

USE OF ACCESSORIES

1. Install double beam splitter by replacing the binocular tube (straight or ergo).
2. Total four accessories are provided as follows
 - 2.1 DSLR camera adapter for Nikon, Canon and Sony
 - 2.2 CCD camera adapter for Mintron.
 - 2.3 Adapter for Sony Handy-Cam.
 - 2.4 Assistoscope for assistant viewing
3. Install any one or two accessories on any side (Left or right) of the beam splitter.
4. Reinstall binocular tube (straight or ergo) on double beam splitter.

13. TENSION ADJUSTMENT

After Supplementary accessories are mounted, the additional load of suspension arm must be compensated by adjusting tension on tension control screw provided on suspension arm by moving it clockwise or anticlockwise.

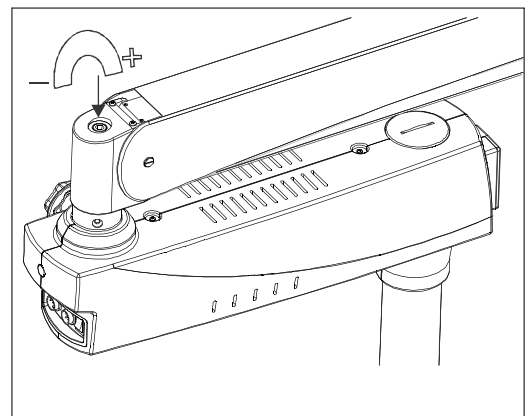
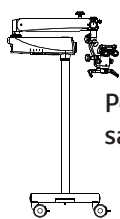


Fig 18

14. MOVING POSITION OF THE SYSTEM



Position of the system for safe transportation

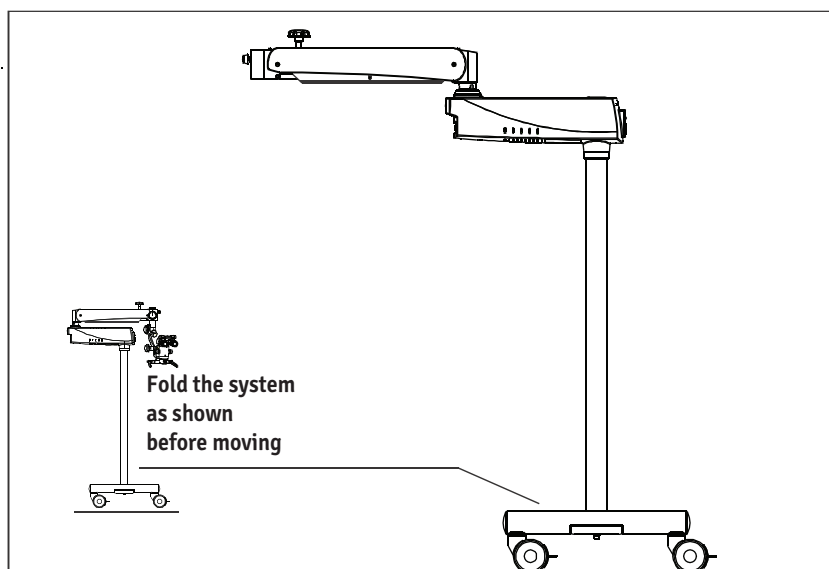


Fig. 19

RELOCATING THE STAND

1. Turn off the unit at the power switch.
2. Disconnect the power cable.
3. Remove the video cable from the video modules (e.g., video monitor, USB monitor) and the camera control unit.
4. Release locks by pressing the upper parts of the locks downwards.
5. Bring the unit into its moving position.
6. Be careful of heights when passing through doorways.
7. Avoid collision of any kind.
8. Do not go over steps and edges: the stand ,might topple!
9. Be extremely careful when moving over slopes.
10. Do not park the stand on slopes
11. Press lock downwards.
12. Check whether the stand is locked in position.

CARE AND MAINTENANCE

- Protect it from improper handling. Never install other devices sockets or unscrew optical system and mechanical parts unless explicitly instructed to do so in this manual.
- Protect the microscope from oil and grease. Never oil or grease the guide surfaces or mechanical parts.
- Remove coarse contamination using a damp disposable cloth.
- Use disinfectants refered as in section 16 (cleaning & disinfection) of this user guide.
- Use special optics cleaning cloths and pure alcohol for cleaning lenses and eyepieces.
- Clean optical components using a lint-free cloth. Soak the cloth using a little methanol or Glass cleaner. Do not use ethanol and spirit.
- LABOMED Max Lite coating are fungal resistant. If you clean as described above, the coatings will not be damaged.
- If cleaning and disinfection is done as described in section 16 is no impact of multiple cleaning/Disinfection on mechanical and optical parts. Paints & Coating are rigid and life long.

TROPICAL ENVIRONMENT/FUNGUS:

LABOMED employs certain safety precaution in its manufacturing techniques and materials. other preventive measures include:

- Keep optical parts clean.
- Use and store them in a clean environment only.
- Store under UV light when not in use.
- Use in continuously climate-controlled rooms only.
- Keep moisture away using silica gel and cover with a plastic cover.

OCCUPATIONAL SAFETY AND HEALTH PROTECTION:

Observe work safety and health protection of persons responsible for processing contaminated products.

Current regulation of hospital hygiene and prevention of infection must be observed in the preparation, cleaning and disinfection of the products.

INSTRUCTIONS

WORKPLACE:

Remove surface contamination with a paper towel.

REPROCESSING:

Recommended reprocess a product immediately after use or as & when required as per below cleaning instructions.

16. CLEANING AND DISINFECTION

Following disinfectants are recommended for cleaning and disinfection.

1. Normal household bleach (Sodium hypochlorite 5%)- strength 5000 ppm(10 parts water 1 part bleach).
2. 70% Isopropyl alcohol.

Procedure:

- Take a muslin cloth.
- Moist it to feel wet
- Disinfect/clean the surface gently.

Note – 1. Use mask and Gloves while performing cleaning and disinfection.

2. While cleaning, muslin cloth should not be dripped wet to prevent seepage and rusting to running/bare parts.

3. Alcohol is flammable, its use as a surface disinfectant should be in well-ventilated spaces only.

17. AUTOCLAVING

The rubber caps, sleeves and grips supplied by labomed are recommend for the following program for autoclaving:

- Temperature: 134°C
- Time: 10 minutes
- Instrument: Standard Autoclave

18. AMBIENT REQUIREMENT

For Operation	Temperature Rel. Humidity (without condensation) Air Pressure	+10°C.....+40°C 30%.....90% 700hPa.....1,060hPa
For Transportation and Storage	Temperature Rel. Humidity (without condensation) Air Pressure	-40°C.....+70°C 10%.....100% 500hPa.....1,060hPa

The unit meets the essential requirements stipulated in Annex I of the MDR 2017/745 Governing medical devices. The unit is marked with CE and is compliant to ANSI / AAMI EC 60601 - 1-1.

19. DISPOSAL

Disposal of the instrument must comply with locally applicable laws and regulations.

20. TROUBLESHOOTING TABLE

PROBLEM	POSSIBLE CAUSE	REMEDY
No illumination at all	Power cable not plugged in	Plug in power cable
	Power switch in OFF position	Press the power switch to ON position
	Defective instrument fuse	Change the fuse
	Defective power cable	Change the power cable
	Line power failure	Contact in-house technician
	Failure of suspension system Electronics	Contact the service department
Insufficient illumination	Brightness level set too low	Adjust brightness control knob
Inoperative surgical field illumination	Failure of electronics	Illuminate the surgical field using an alternate illuminator, and contact the service department
	Switch off via limit switch on suspension arm system	Move the suspension system into the working position
	The thermal cut-off in the lamp housing is contaminated	Clean the thermal cut-off with a dry brush or blow it clean, with compressed air
	Defective fan; failure of system electronics	Illuminate the surgical field using an alternate illuminator, and contact the service department
Up and down motion of screw on suspension system is too stiff	The friction adjustment screw on the suspension system is tightened too firmly	Loosen the friction adjustment screw on the suspension system as needed
Microscope Unstable	Brakes on wheels not used	Use Brakes
No image is visible in the field of view	Magnichanger is not indexed properly	Index magnichanger properly

21. TECHNICAL SPECIFICATIONS

Binocular Tubes	Straight viewing tube 90°, IPD 49-78mm Optional: 45° inclined head and 0-210° Ergo head, IPD 49-78mm
Eyepieces	WF 10x/18mm with retractable eye guards, diopter adjustment ± 7 mm Optional: WF 12.5x/18mm; fixed eye guards, diopter adjustment ± 8 mm
Magnichanger	3 step: 0.6X, 1.0X, 1.6X
FOV (Field of View)	15° - 2.5° (80-13mm)
Objective	CMO f= 250mm, Optional: f=300mm and f=400mm (Manual fine focus), NuVar CMO with focal Length adjustment from 300-400mm, NuVar CMO with working distance from 200-270mm
Built-in filters	Yellow or Green
Vertical Movement of Arm	± 250 (500mm) with Power saver light cut off at park position
Microscope Carrier	$\pm 155^\circ$ Carrier
Accessories	Double Beam Splitter and Camera Adapters, Eyepiece & CMO.
Light Source	27W LED; Maximum intensity 70,000 LUX
Power Consumption	60W Maximum
Input Voltage	100V-240V; 50/60 hz
Stand:	Stable and sturdy H-base stand with 2 lockable wheels.
Base (Dimensions):	550mm width 550mm length
Stand Height:	900mm
Weight:	
Microscope arm with all optical module	20 Kg. Approx.
H-base with pillar	80 Kg. Approx.
Elevation Stroke:	570mm
Stand Height in Horizontal Position:	775mm

22. GUIDANCE TABLES

Guidance and Manufacturer's Declaration Electromagnetic Emissions All Equipment and Systems		
Guidance and Manufacturer's Declaration - Electromagnetic Emissions		
<p>The Prima Mμ is intended for use in the electromagnetic environment specified below. The customer or user of the Prima Mμ should ensure that it is used in such an environment.</p>		
Emissions Test	Compliance	Electromagnetic Environment Guidance
RF Emissions CISPR 11	Group 1 Class A	The Prima Mμ uses RF energy only for its internal function. Therefore, its RF emissions are very low and are not likely to cause any interference in nearby electronic equipment.
Harmonics IEC 61000-3-2	Class A	The Prima Mμ is suitable for use in all establishment, other than domestic, and those directly connected to the public low voltage power network that supplies buildings used for domestic purposes.
Flicker IED 61000-3-3	Complies	

GUIDANCE TABLES (continued)

Guidance and Manufacturer's Declaration			
<h2>Electromagnetic Emissions</h2> <h3>All Equipment and Systems</h3>			
Guidance and Manufacturer's Declaration - Electromagnetic Emissions			
Prima M μ is intended for use in the electromagnetic environment specified below. The customer or user of the Prima M μ should ensure that it is used in such an environment.			
Immunity Test	IEC 60601 Test Level	Compliance Level	Electromagnetic Environment - Guidance
ESD IEC 61000-4-2	\pm 6kv contact \pm 8kv Air	\pm 6kv contact \pm 8kv Air	Floor should be wood, concrete or ceramic tile. If floors are synthetic, the R/H should be at least 30%.
EFT IEC 61000-4-4	\pm 2kv Mains \pm 1kv I/Os	\pm 2kv Mains \pm 1kv I/Os	Mains power quality should be that of a typical Commercial or hospital environment.
Surge IEC 61000-4-5	\pm 1kv Differential \pm 2kv Common	\pm 1kv Differential \pm 2kv Common	Mains power quality should be that of a typical Commercial or hospital environment.
Voltage dips, dropouts, IEC 61000-4-11	>95% Dip for 0.5 Cycle 60% Dip for 5 Cycles 30% Dip for 25 Cycles >95% Dip for 5 Seconds	>95% Dip for 0.5 Cycle 60% Dip for 5 Cycles 30% Dip for 25 Cycles >95% Dip for 5 Seconds	Mains power quality should be that of a typical commercial or hospital environment. If the user of the Prima M μ requires continued operation during power mains interruptions, it is recommended that the Prima M μ be powered from an uninterpretable power supply or battery.
Power Frequency 50/60Hz Magnetic Field IEC 61000-4-8	3A/m	3A/m	Power frequency magnetic fields should be that of a typical commercial or hospital environment.

GUIDANCE TABLES (continued)


Guidance and Manufacturer's Declaration

Electromagnetic Immunity

Equipment and Systems that are NOT Life-Supporting

Guidance and manufacturer's Declaration – Electromagnetic Immunity

The Prima Mμ is intended for use in the electromagnetic environment specified below. The customer or user of the Prima Mμ should ensure that it is used in such an environment.

Immunity Test	IEC 60601 Test Level	Compliance Level	Electromagnetic environment guidance
Conducted RF IEC 61000-4-6	3 vrms 150kHz - 80MHz	(v1) = 3 vrms	Portable and mobile RF communications Equipment should be used no closer to any part of the Prima Mμ, including cables than the recommended separation distance calculated from the equation applicable to the frequency of the transmitter.
Radiated RF IEC 61000-4-3	80MHz to 2.5 GHz @ 3V/m	(E1) = 3 V/m	Recommended Separation Distance:
			$d=(3.5/v1)(\text{Sqrt } P)$
			$d=(3.5/E1)(\text{Sqrt } P)$
			80 to 800 MHz
			$d=(7/E1)(\text{Sqrt } P)$
			800 MHz to 2.5 GHz
			Where P is the max output power rating of the transmitter in watts (W) according to the transmitter manufacturer and d is the recommended separation distance in meters (m).
			Field strengths from fixed Rf transmitters, as determined by an electromagnetic site survey, should be less than the compliance levels in each frequency range.
			Interference may occur in the vicinity of equipment marked with the following symbol.
			

Note 1: At 80 MHz to 800 MHz, the higher frequency range applies.

Note 2: These guidelines may not apply in all situations. Electromagnetic propagation is affected by absorption and reflection from Structures, objects and people.

*Field strengths from fixed transmitters, such as base stations for radio(cellular/cordless) telephones and land mobile radios, amateur radio, AM and FM radio broadcast, and TV broadcast cannot be predicted theoretically with accuracy. To access the electromagnetic Environment due to fixed RF transmitters, an electromagnetic site survey should be considered. The measured field strength in the location in which the ME Equipment or ME system should be observed to verify normal operation. If abnormal performance is Observed, additional measures may be necessary, such as re-orienting or relocating the ME Equipment or ME System.

*Over the frequency range 150kHz to 80 MHz, field strengths should be less than [V1] V/m.

GUIDANCE TABLES (continued)

Recommended separation distance between Portable and Mobile RF Communications equipment and the Prima M μ for ME equipment and ME systems that are not Life-supporting.

Guidance and Manufacturer's Declaration - Electromagnetic Immunity

Recommended separation distance for between Portable and Mobile RF Communications equipment and the Prima M μ

The Prima M μ is intended for use in electromagnetic environments in which radiated RF disturbances are controlled. The customer or user of the Prima M μ can help prevent electromagnetic interference by maintaining a minimum distance between portable and mobile RF communications equipment (transmitters) and the Prima M μ as recommended below, according to the maximum output power of the Communication equipment.

Max Output Power of Transmitter (W)	Separation (m) 150kHz to 80 MHz $d=(3.5/\sqrt{P})$ (Sqrt P)	Separation (m) 80 to 800 MHz $d= (3.5/E1)$ (Sqrt P)	Separation (m) 800 MHz to 2.5GHz $d= (7/E1)$ (Sqrt P)
0.01	0.1166	0.1166	0.2333
0.1	0.3689	0.3689	0.7378
1	1.1666	1.1666	2.3333
10	3.6893	3.6893	7.3786
100	11.6666	11.6666	23.3333

For transmitters rated at a maximum output power not listed above, the recommended separation distance (d) in meters (m) can be estimated using the equation applicable to the frequency of the transmitter, where P is the maximum output power rating of the transmitter in watts (W) according to the transmitter manufacturer.

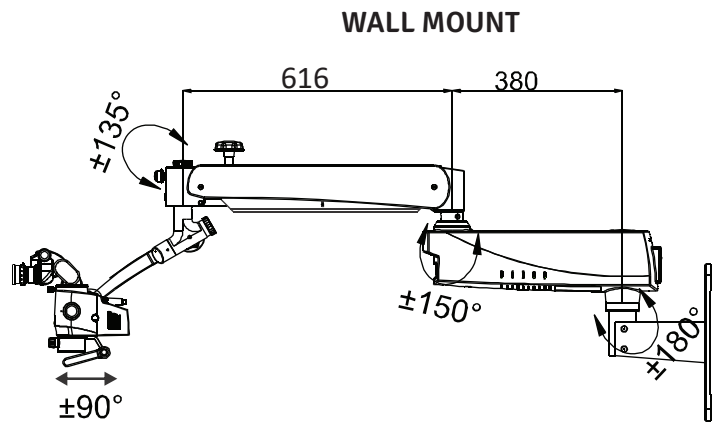
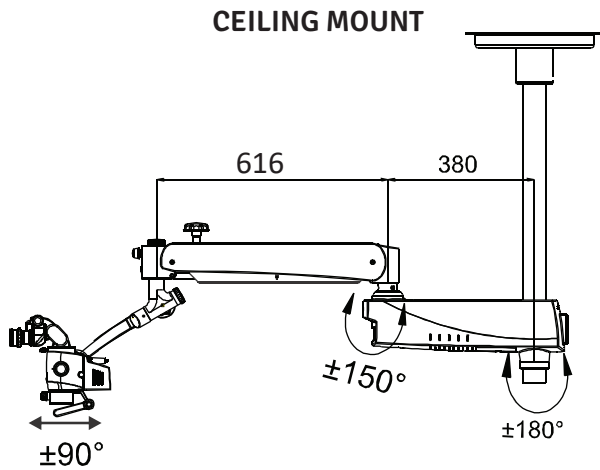
Note 1: At 80MHz and 800 MHz, the separation distance for the higher frequency range applies.

Note 2: These guidelines may not apply in all situations. Electromagnetic propagation is affected by absorption and reflection from structures, objects and people.

23. MEASURES AND WEIGHT

Prima M μ - Microscope with Ceiling Mount
 Total Weight: Approx. 75 kgs.

Prima M μ - Microscope with Wall Mount
 Total Weight: Approx. 60 kgs.



Prima M μ - Microscope with Mobile Stand
 Total Weight: Approx. 100 kgs.

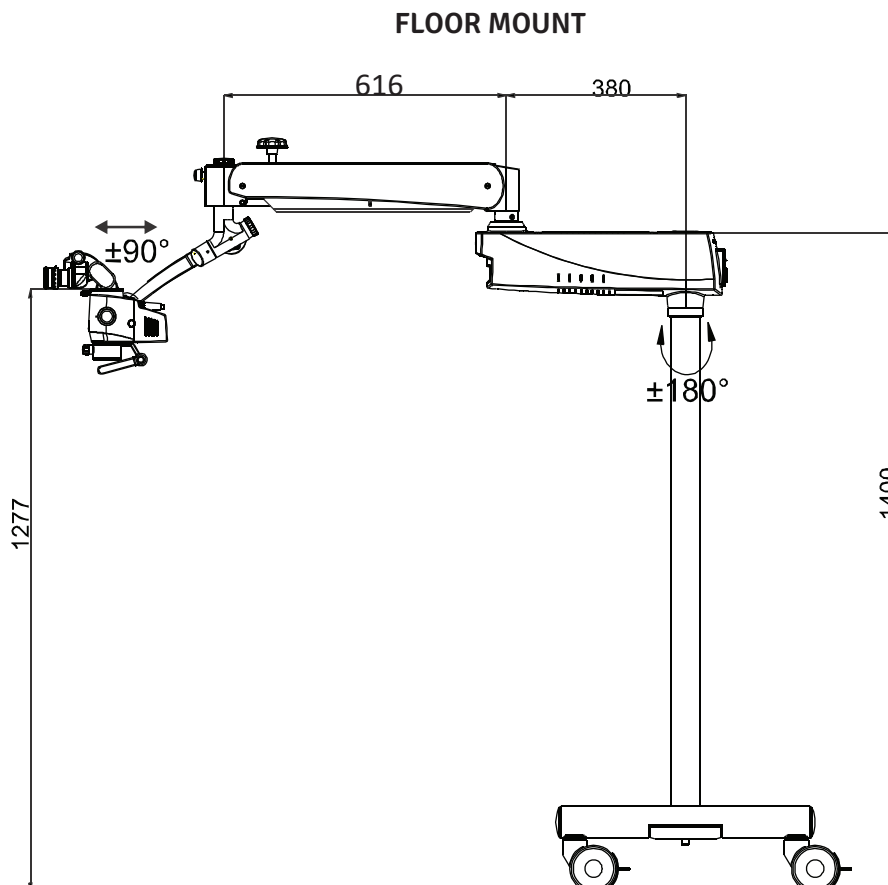
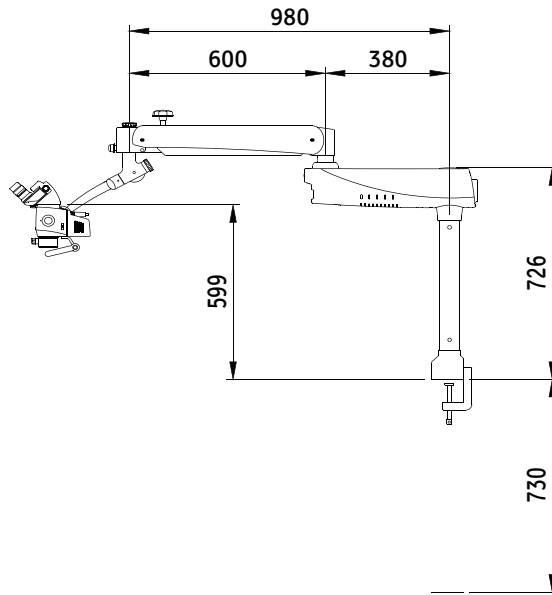
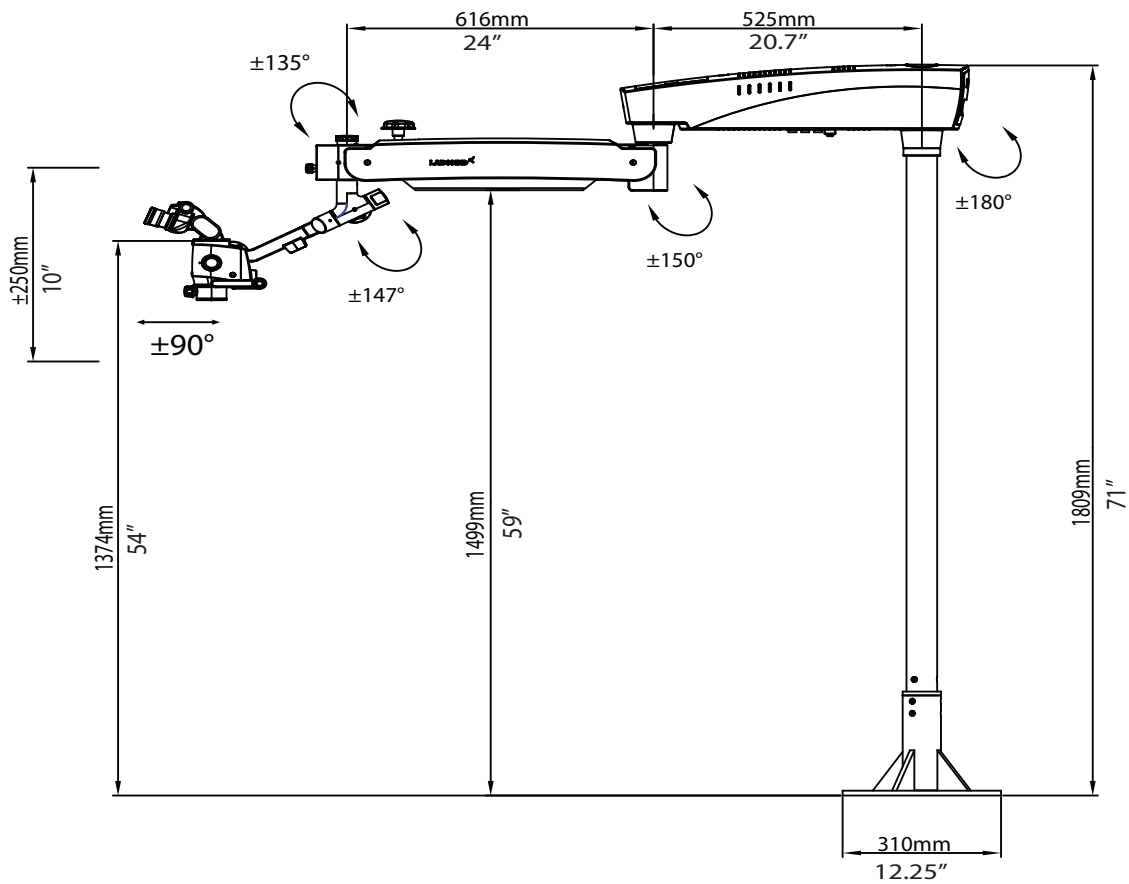


Table Mount



FLOOR FIXED



24. GLOSSARY

Ametropia Compensation	Compensation of short-or-far-sightedness. This can be done for each eye using the two individual eyepieces (range: +5 to -5 diopters).
Working Distance	Distance front lens to object level (250mm).
Color Temperature	Refers to the color characteristic of a light source. Using color Temperature, one can set the color of a light source to warm or cold light Relative to the color of natural light. The unit of measure for color temperature is Kelvin (K).
Light field diameter	The size of the field, which is illuminated at a distance of 250mm.
Field of View Diameter	The visible area of an object that can be seen through the microscope. The greater the magnification level, the smaller the field of view and vice versa.
Yellow Filter	A color filter prevent premature curing of composite.
Illumination Intensity	Specifies the luminous flux from a light source onto a certain area. The unit of measure for illumination intensity is Lux (Lx).
LED	Light Emitting Diode. Electronic semiconductor device that emits light when an electrical current passes through it.
Eyepiece	The optical portion facing towards the eyes, with which the enlarged image produced by the microscope can be viewed.
Convergent Beam Path	The two light beams for the right and left eye run together at a point that lies at a distance of 250mm in front of the front lens. This distance is in Accordance with the working distance. This way, the eye does not has to focus on this point in its own, as it is the case with a parallel beam path.
White Balance	White balance is used to calibrate the camera to the color temperature of the light at the location.
DSLR Camera	(Digital Single Lens Reflex) camera with a digital imaging sensor.
CCD Camera	(Charged Coupled Device) camera with a technology to store a charge and move this charge out of the photo sensor in an organized way.
CMOS Camera	(Complementary Metal Oxide Semiconductor) camera in which images sensor is a silicon chip that captures and reads light.
DBS	(Double Beam Splitter) splits light beam into two directions (one to eye and one to side port) for simultaneous user viewing and photography, videography, or co-observation. Ratio of light distribution is 70% for eyes and 30% to side ports for photography, videography and co-observation.

GLOSSARY (continued)

DBSi	Serves the same purpose as the DBS but in addition it provides a 60° inclined position, creating greater comfort, ideal for prolonged use applications or where patient is always supine.
Extender	Provides optical extension for a more comfortable working angle.
Rotoplate	Enables you to comfortably view your specimen at an angle by tilting the magnichanger and straightening our viewing tube. The Rotoplate has discrete positive indexing positions to engage and hold your ideal viewing angle.

25. WARRANTY

This product is warranted by LABOMED against defective material and workmanship under normal use for a period of one year from the date of invoice to the original purchaser. (An authorized dealer shall not be considered the original purchaser). Under this warranty, LABOMED's obligation is to repair or replace the defective part or product at LABOMED's discretion.

This warranty applies to new products and does not apply to a product that has been tampered with, altered in any way, misused, damaged by accident or negligence, or which has had the serial number removed, altered, or effaced. Nor shall this warranty be extended to a product installed or operated in a manner not in accordance with the applicable LABOMED instruction manual, nor to a product which has been sold, serviced, installed, or repaired other than by a LABOMED factory or authorized LABOMED Dealer.

All claims under this warranty must be in writing and directed to the LABOMED factory or its authorized dealer for this device making the original sale and must be accompanied by a copy of the purchaser's invoice.

This warranty is in lieu of all other warranties implied or expressed. All implied warranties of merchantability or fitness for a particular use are hereby disclaimed. No representative or other person is authorized to make any other obligations for a LABOMED product. LABOMED shall not be liable for any special, incidental, or consequent damages for any negligence, breach of warranty, strict liability, or any other damages resulting from or relating to design, manufacture, sale, use, or handling of the product.

PRODUCT CHANGES

LABOMED reserves the right to make changes in design or to make additions to or improvements in its products without obligation to add such to products previously manufactured.

CLAIMS FOR SHORTAGES

We use extreme care in selection, checking, rechecking, and packing to eliminate the possibility of error. If any shipping errors are discovered:

1. Carefully go through the packing material to be sure nothing was inadvertently overlooked when the unit was unpacked.
2. Call the dealer you purchased the product from and report the shortage. The materials are packed at the factory and none should be missing if the box has never been opened.
3. Claims must be filed within 30 days of purchase.

CLAIMS FOR DAMAGES IN TRANSIT

Our shipping responsibility ceases with the safe delivery in good condition to the transportation company. Claims for loss or damage in transit should be made promptly and directly to the Transportation company.

If, upon delivery, the outside of the packing case shows evidence of rough handling or damage, the transportation company's agent should be requested to make a "Received in Bad Order" notation on the delivery receipt. If within 48 hours of delivery, concealed damage is noted upon unpacking the shipment and no exterior evidence of rough handling is apparent, the transportation company should be requested to make out a "Bad Order" report. This procedure is necessary in order for the dealer to maintain the right of recovery from the carrier.

Liability release for wall and/or ceiling installations:

By signing below, purchaser confirms that the correct and secure installation of mounting plates and hardware for the LABOMED Prima microscope(s) purchased is the sole responsibility of the purchaser and appointed contractor, and will comply with applicable building codes and good practices. Labo America, Inc. and all of its affiliates will be held harmless and will not bear any liability for damage and/or injury caused by improperly installed and secured mounting plates and hardware.

Purchaser's name and address:

Project location (if different from the above):

Licensed contractor/company name and details (address, lic #, phone number):

Client Signature:

Contractor Signature:

Date:

Date:

Labo America, Inc.
920 Auburn Court
Fremont CA 94538
U.S.A.

Fax: 510-445-1317
Global: sales@laboamerica.com
www.laboamerica.com

Revision History

Rev. No.	Date of Release	DCR #	Change	App. By
1.2	March 22, 2016	DCR/13/16	Wiring Coding Diagram added	S.Bal
1.3	July 05, 2017	DCR/4A/17	UPS requirement added	S.Bal
1.4	Oct 10, 2018	DCR/19A/18	Weight Updated	S.Bal
1.5	May , 2020		Disinfection and Cleaning	S.Bal
1.6	Jan , 2021		correction in directives n errors	S.Bal
1.7	April 14, 2022	DCR/06/22	Reviewed & Updated for typo error	S. Bal
1.8	31 May, 2023	DCR/06/23	Diopter Setting Change & typo review	S.Bal



Labo America Inc.
920 Auburn Court
Fremont, CA
94538
U.S.A.

Phone: 510-445-1257
Fax: 510-991-9862
Email: sales@laboamerica.com
www.laboamerica.com



Labomed Europe
Essebaan 50
NL-2908 LK Capelle a/d IJssel
The Netherlands
Tel: +31 (0)10 4584222
Fax: +31 (0)10 4508251
E-mail: info@labomedeuropa.com



DQS Inc.
Labo America Inc.
Registered to ISO 9001:2015
BR Number 10005565

A28240



ISO 13485:2016

LABOTRON INSTRUMENTS PVT LTD