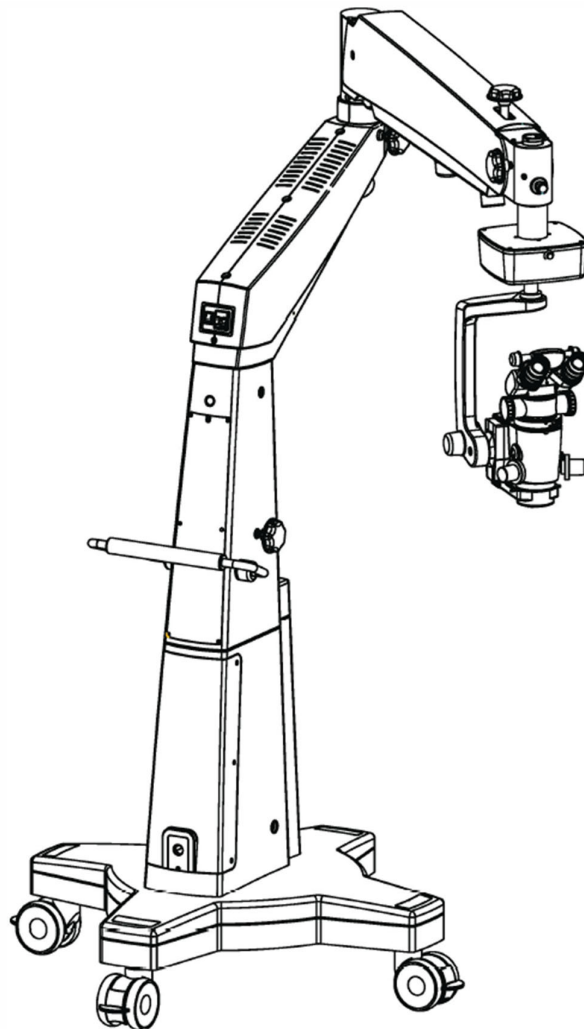


# STELLA N

## Service/Part list Manual

### Operating Surgical Microscopy - Neuro

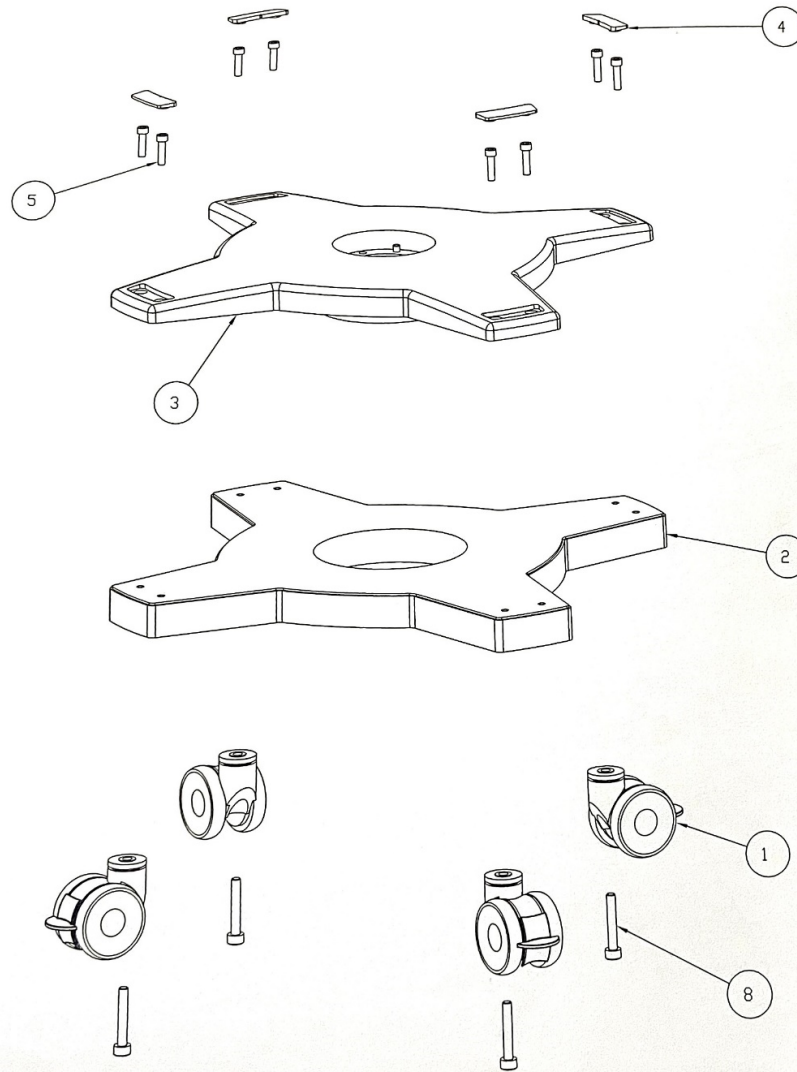


To ensure proper use of this instrument as well as to avoid injury while operating instrument, understanding this manual completely before use is highly recommended.

## CONTENTS

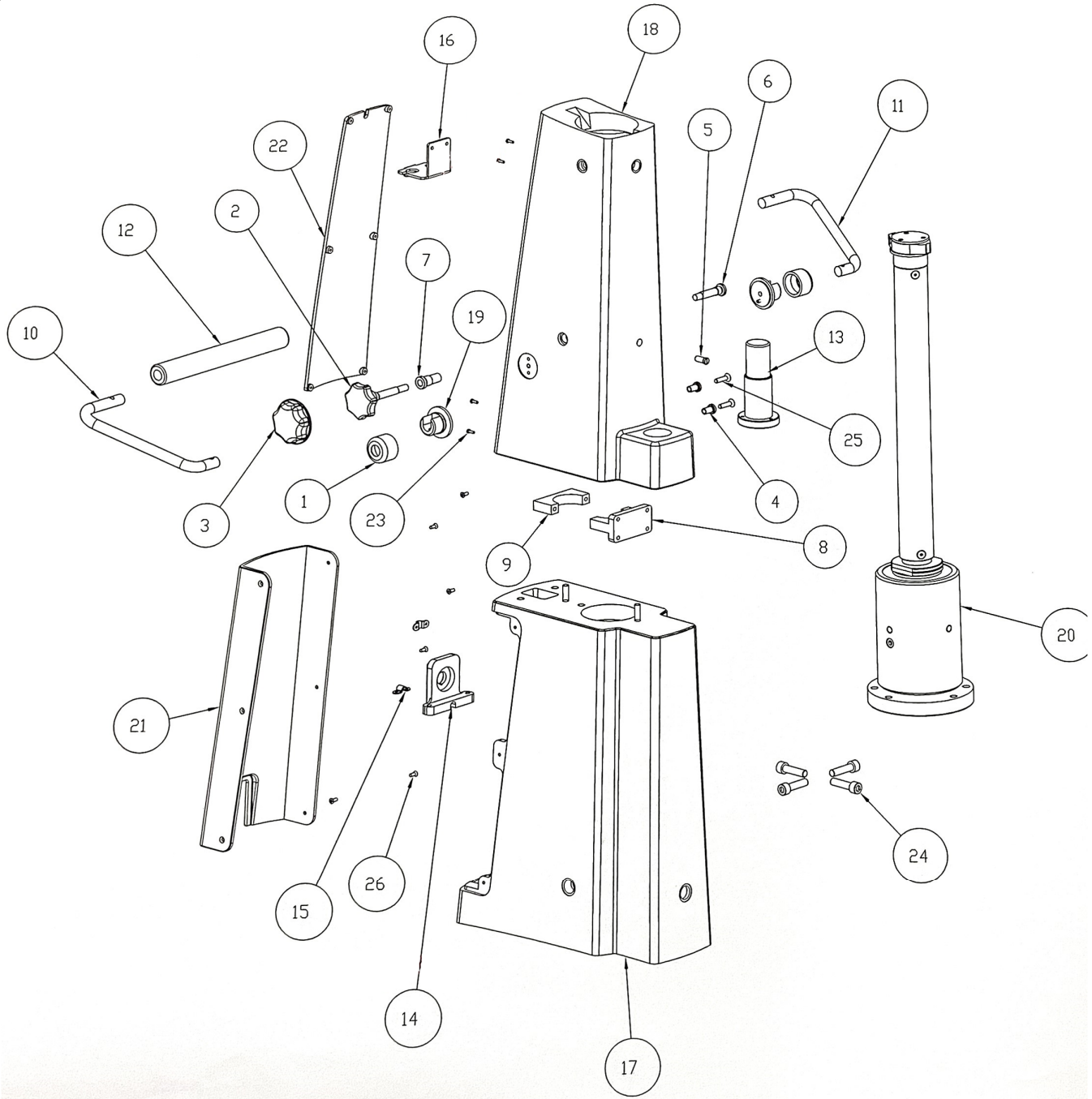
Base Assembly	1
Column Assembly	2-3
Swivel Arm Assembly	4
Suspension Arm Assembly	5-6
Carrier Assembly	7
Foot Switch Assembly	8

**1. BASE ASSEMBLY – Stella Neuro**



Item	Part Code	Description	Qty.
1	6134000-274	Caster Wheel with Lock	4
2	6219100-512	Stella Base Bottom	1
3	6219100-828	Base with Pin	1
4	6219100-213M	Base Cover	4
5	SS – 807	M10x40 Socket Head Screw	8
6	SS – 728	M12x75 Socket Head cap Screw (SS)	4

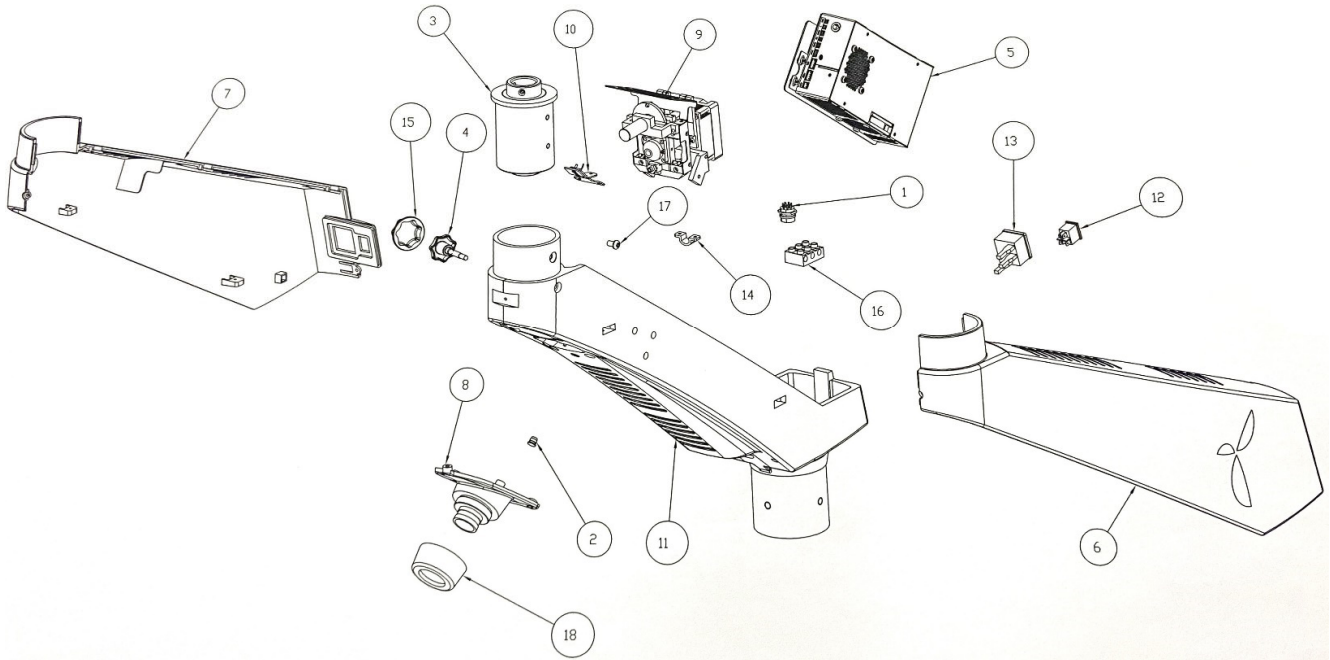
**2. Column ASSEMBLY - Stella Neuro**



**COLUMN ASSEMBLY – Stella Neuro (continued)**

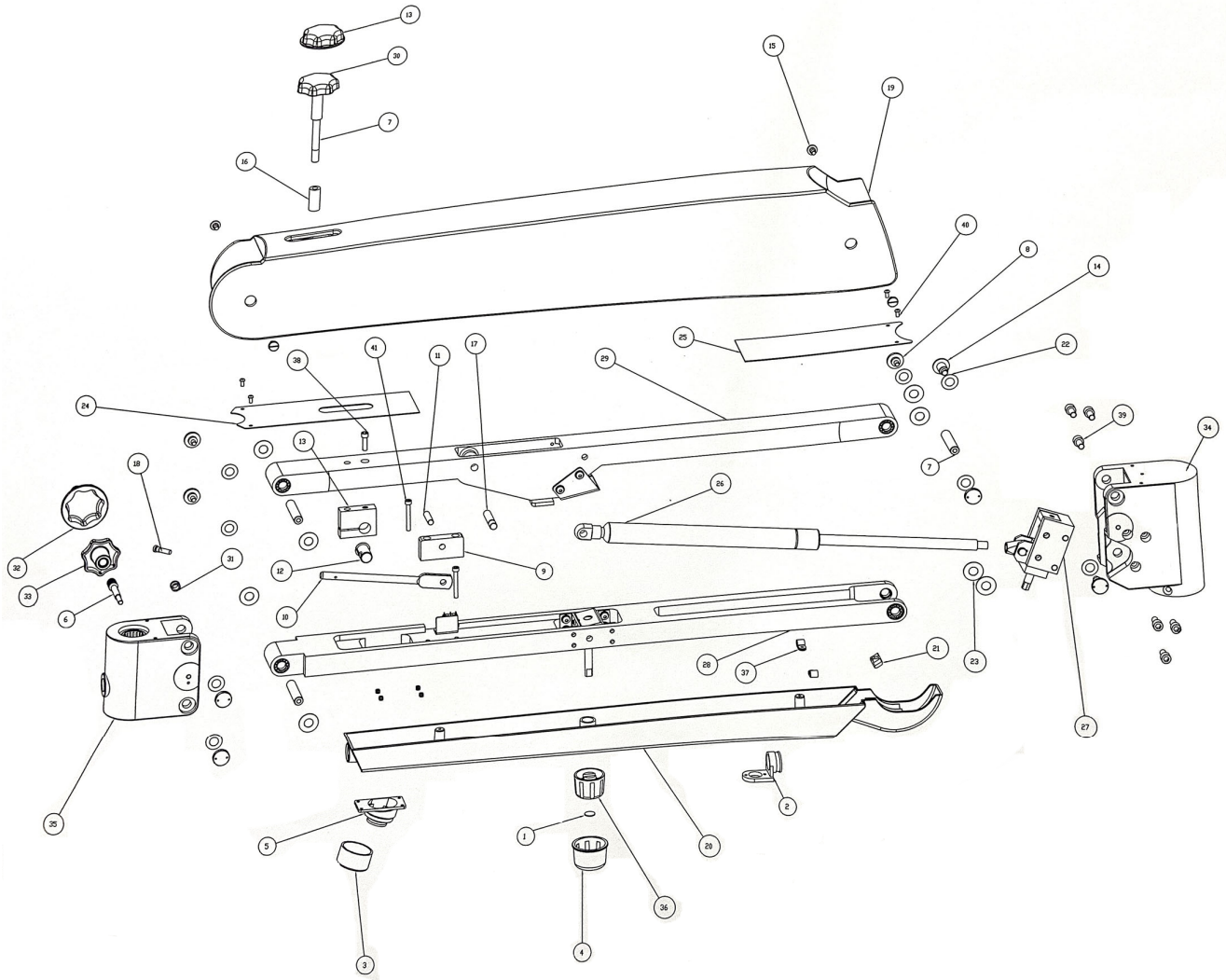
Item	Part No.	Description	Qty.
1	6129000-121	Cover Handle	2
2	6219100-873	Locking Knob Assy.	1
3	6168000-200M	Cover Locking Knob	1
4	6219100-005	Support Bush	2
5	6219100-182	Locating Screw Small	1
6	6219100-183	Locating Screw Big	1
7	6219100-184	Threaded Bush M14	1
8	6219100-185	Guide Plate	1
9	6219100-186	Cover Guide Plate	1
10	6219100-189	Handle Left Side	1
11	6219100-190	Handle Right Side	1
12	6219100-191	Handle	1
13	6219100-192	Shaft for LED Bracket	1
14	6219100-193	Mount Connector	1
15	6129001-129	Wire Clamp	2
16	6219100-311	Bracket Connector	1
17	6219100-839	Sub Assy. Pillar Bottom	1
18	6219100-516	Pillar Top	1
19	6219100-843	Sub Assy. Handle Mount	2
20	6219100-850	Shaft Assembly	1
21	6219100-211M	Back Cover Bottom	1
22	6219100-212M	Back Cover Top	1
23	X54210	M3x10/PH/PAN/DNA	4
24	SS – 707	M10x40 Socket Head Screw	4
25	SS – 935	Socket Flat Head Screw M6x16	2
26	SS – 945	M2x6.0 Flat Head Screw	6

**3. SWIVEL ARM ASSEMBLY – Stella Neuro**



Item	Part No.	Description	Qty.
1	0903290012	12-Pin-Connector Male	1
2	6129000-111	LED Cover	1
3	6129000-844	Assy. Front bearing Housing	1
4	6219100-874	Locking Knob Assembly	1
5	AVT820-Neuro	Power Supply	1
6	6219100-215	Cover Swivel Arm – R	1
7	6219100-216	Cover Swivel Arm – L	1
8	6129000-240	Mesh Holder Swivel Arm	1
9	6219200-876	Illumination Assembly	1
10	6210000-825	Led Assembly	1
11	6219100-519	Swivel Arm Stella	1
12	8124900-950	On/Off Switch	1
13	8126000-907	Power Entry Module	1
14	6129000-229	Cable Clamp	1
15	6168000-216	Knob Cover	1
16	3240167	12 Pin Connector Strip	1
17	6129000-018	Threaded Sleeve M12	1
18	6219100-818	Sub Assy. Front Shaft	1

**4. SUSPENSION ARM ASSEMBLY – Stella Neuro**

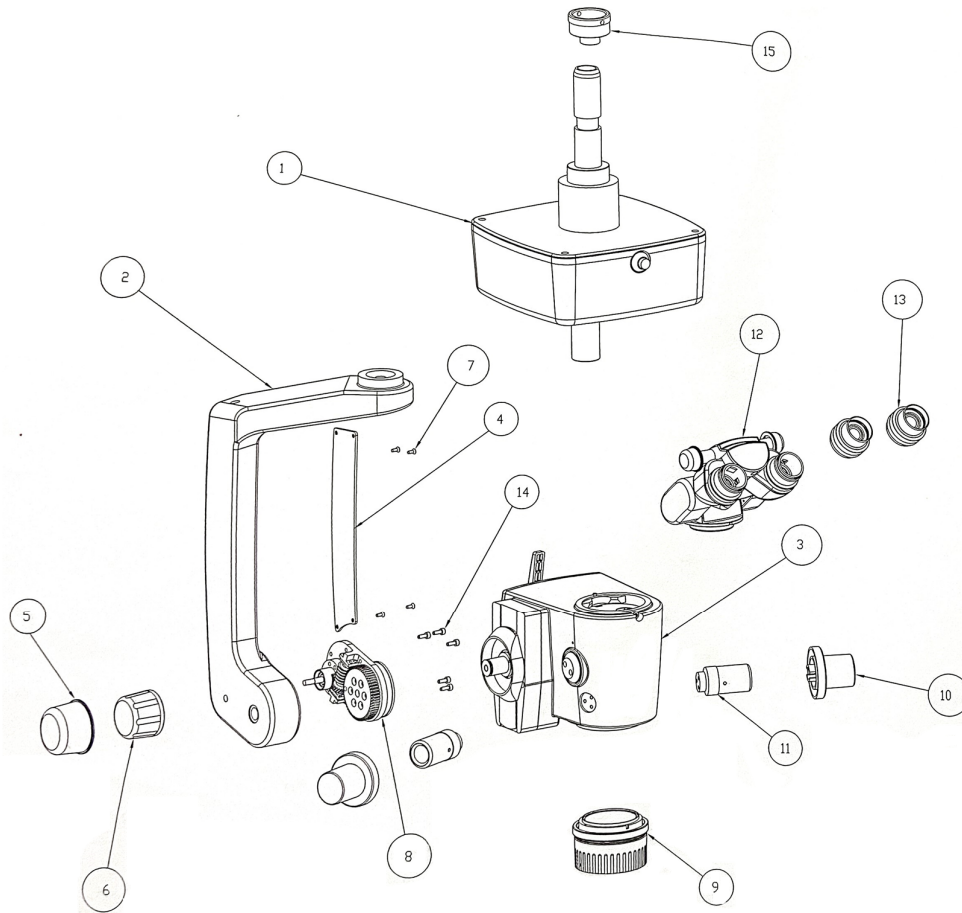


**SUSPENSION ARM ASSEMBLY – Stella Neuro (continued)**

Item	Part No.	Description	Qty.
1	6122015-205	Decorative Disc	1
2	6129000-015	Cable Cover Mesh Stopper	1
3	6129000-018	Threaded Sleeve M42	1
4	6129000-220	Silicon Cover Zoom Knob	1
5	6129000-243	Mesh Holder Cable Cover	1
6	6129001-002	Stud for Vertical Shaft	1
7	6129001-138	Bearing Pin	3
8	6129001-139	Seat Screw Bearing	6
9	6129001-146	Lever Mount	1
10	6129001-147	Lever	1
11	6129001-148	Pin Lever DIA 6	1
12	6129001-149	Slitted Bush	1
13	6129001-150	Clamp Bushing	1
14	6129001-152	Seat Screw Rear Coupling	2
15	6129001-154	Seat Screw Cover	4
16	6129001-157	Spacer Delrin	1
17	6129001-174	Cylinder Support PIN DIA 8	1
18	6129001-178	Safety Screw	1
19	6129001-205	Cover Suspension Arm	1
20	6129001-206	Cable Cover	1
21	6129001-229	Cable Clamp	1
22	6129001-303	SS Washer	8
23	6129001-304	SS Washer	8
24	6129001-306	Cover Front Coupling	1
25	6129001-307	Cover Front Coupling	1
26	6129001-407	Gas Spring Cylinder	1
27	6129001-823	Tension Adjusting Assembly	1
28	6129001-824	Bottom Arm Assembly	1
29	6129001-825	Top Arm Assembly	1
30	6166000-812	Locking Knob Suspension Arm	1
31	6167500-122	Stopper Screw	1
32	6168000-216	Cover Locking Knob	1
33	6167500-204	Locking Knob	1
34	6219100-518	Rear Coupling	1
35	6219100-834	Front Coupling Assembly	1
36	6129001-036	Bottom Knob	1
37	6128100-202	Wire Clamp	2
38	SS – 176	M6x20-Socket Head Cap Screw	1
39	SS – 178	M5x15-Socket Head Cap Screw	6
40	SS – 665	M4x8 Pan Head	4
41	SS – 848	M5x40-Socket Head Screw	2

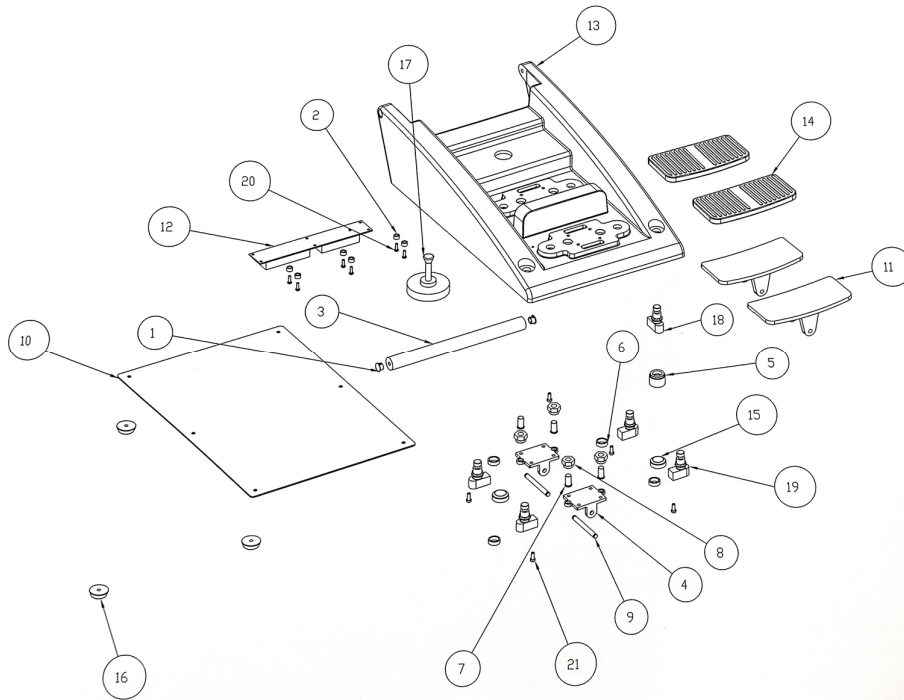


**5. CARRIER ARM – STELLA Neuro**



Item	Part No	Description	Qty.
1	6219100-870	X-Y Axis Assy.	1
2	6219100-504	Carrier	1
3	6219100-871	Magnichanger Assembly	1
4	6219100-306	Cover Carrier	1
5	6219100-220	Knob Cover Silicon	1
6	6219100-152	Knob	1
7	SS - 125	M3x8/CSK/PH/DNA	4
8	6219100-810	Gear Box Assembly	1
9	6129000-890	Nuvar CMO	1
10	6219100-202M	Sterilize Cover	2
11	6219100-109	Handle	2
12	6219131	Ergo Head Assembly	1
13	A6122011	Eyepiece	2
14	SS - 141	M3x8 Socket Head Screw	5
15	6129000-195	Threaded Plug	1

**6. FOOT SWITCH ASSEMBLY – Stella Neuro**



Item	Part Code	Description	Qty.
1	4140100-209	Decorative Cap	2
2	6168000-189	Delrin Spacer	6
3	6219100-081	Handle Rod	1
4	6219100-088	Paddle Support	2
5	6219100-089	Mount Sterilize Cover	2
6	6219100-090	Spacer	4
7	6219100-091	Plunger	4
8	6219100-092	Guide Bush	4
9	6219100-093	Shaft	2
10	6219100-320	Base Plate	1
11	6219100-521	Foot Paddle	2
12	6219100-903	PCB	1
13	6219100-5200	Base Foot Switch Mach	1
14	6219100-225M	Cover Foot Control	2
15	6219100-226M-1	Sterilize Cover	3
16	6219100-227M	Rubber Feet	4
17	6219100-875	Joystick Assembly	1
18	AVT-818-PB-255	Foot Control Push Button	2
19	SW – 001	Switch	6
20	SS – 661	M3x12/PH/PAN/DNA	6
21	SS – 666	PAN HD Screw M4x10	6



**Labo America Inc.**  
920 Auburn Court  
Fremont, CA  
94538  
U.S.A.

Phone: 510-445-1257  
Fax: 510-991-9862  
Email: [sales@laboamerica.com](mailto:sales@laboamerica.com)  
[www.laboamerica.com](http://www.laboamerica.com)



**Labomed Europe**  
Essebaan 50  
NL-2908 LK Capelle a/d IJssel  
The Netherlands  
Tel: +31 (0)10 4584222  
Fax: +31 (0)10 4508251  
E-mail: [info@labomedeuropa.com](mailto:info@labomedeuropa.com)



DQS Inc.  
Labo America Inc.  
Registered to ISO 9001:2015  
BR Number 10005565



LABOTECH MICROSCOPES INDIA Pvt Ltd