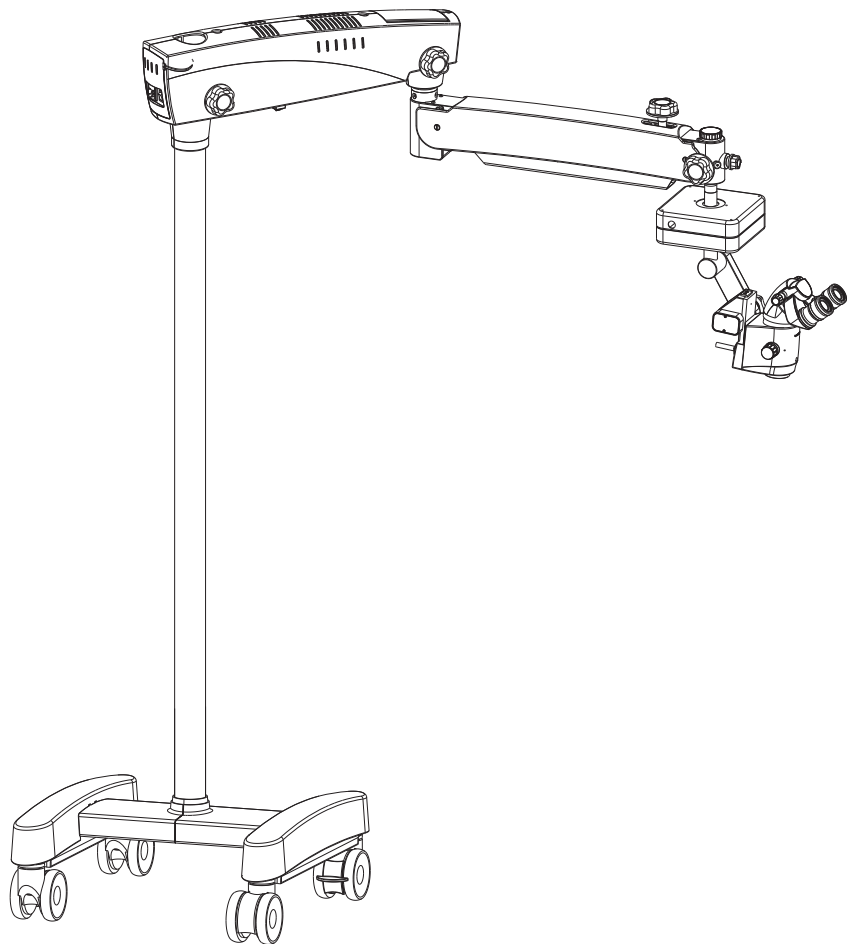


Prima OPH Service / Part List Manual

Operating Surgical Microscopy



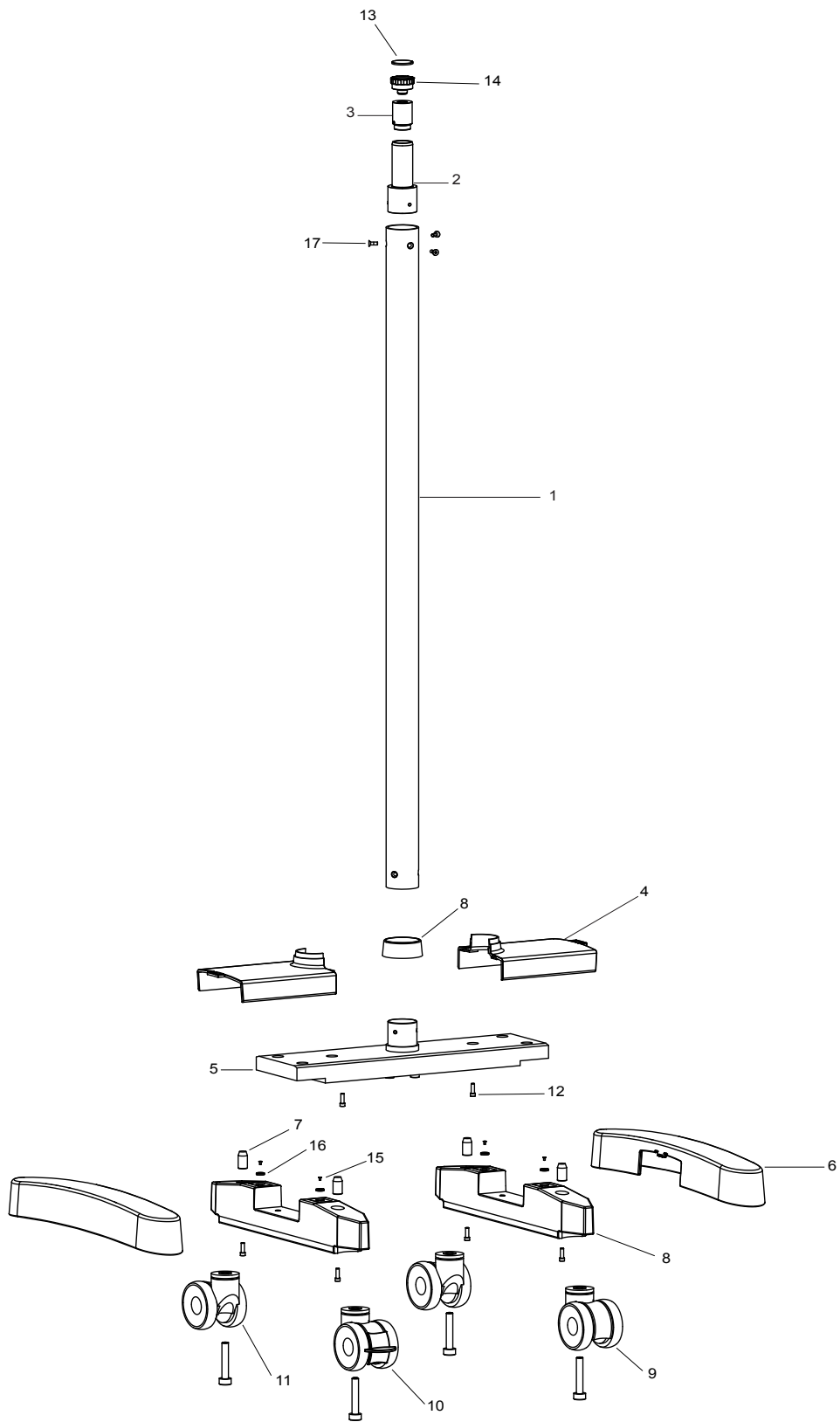
LABOMED Prima OPH

Service / Part List Manual

Contents

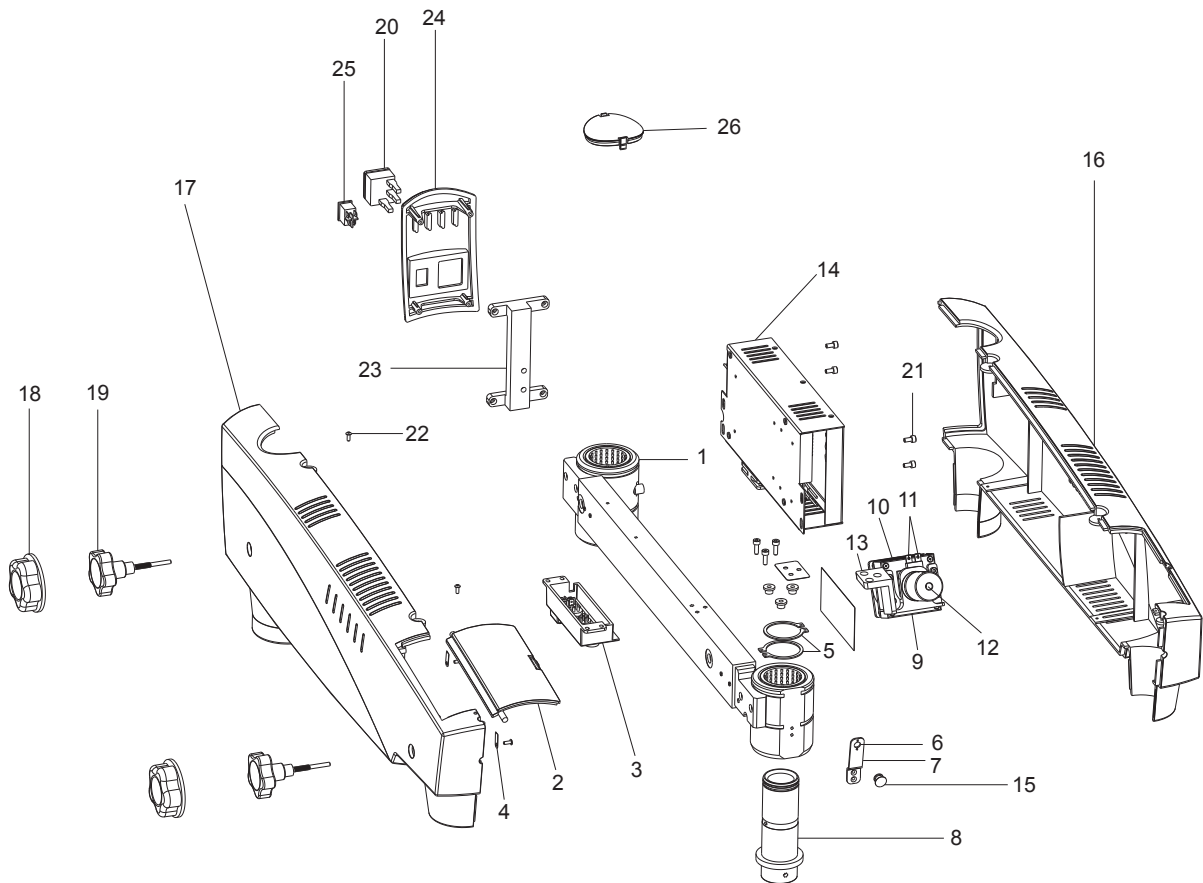
| | | |
|-----|-----------------------------------|----|
| 1.0 | Base & Column assembly..... | 3 |
| 2.0 | Swivel Arm assembly..... | 5 |
| 3.0 | Suspension arm assembly..... | 7 |
| 4.0 | Long suspension arm assembly..... | 9 |
| 5.0 | X-Y-Z Assembly..... | 11 |
| 6.0 | Z-Axis Assembly..... | 13 |

1.0 Bare & Column Assembly



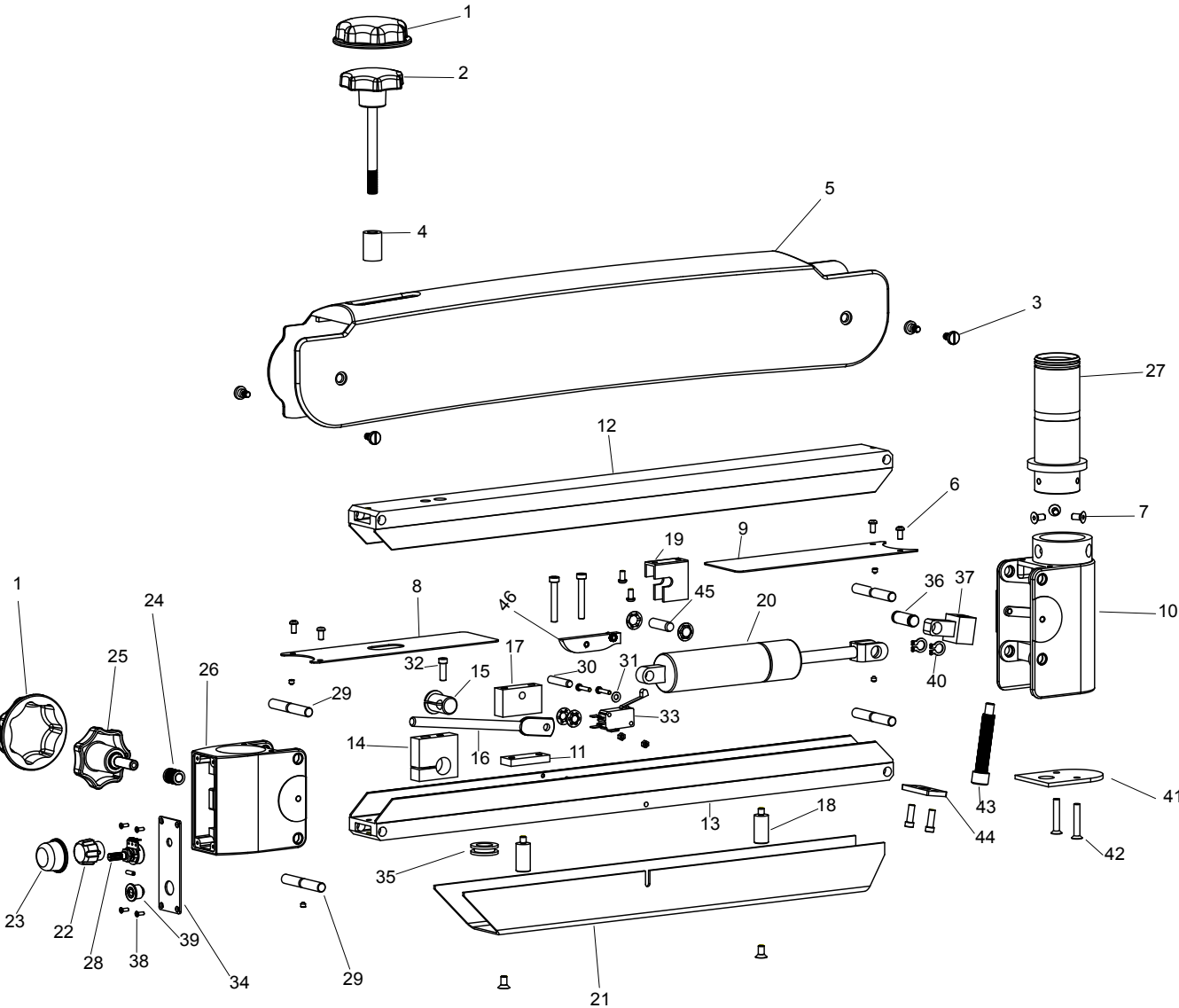
| ITEM | PART NUMBER | DESCRIPTION |
|------|--------------|--|
| 1 | 6165000-133 | Pillar |
| 2 | 6134000-131 | Rear Shaft |
| 3 | 6165000-137 | Threaded Cap |
| 4 | 6165000-215M | Cover Center Support |
| 5 | 6165000-853 | Support wheel Carrier Assembly With Guide Plug |
| 6 | 6165000-854 | Wheel Support Cover With Magnet |
| 7 | 6165000-127 | Tapper Pin |
| 8 | 6165000-164 | Tapper Ring |
| 9 | 6134000-272 | Caster Wheel |
| 10 | 6134000-274 | Caster with Lock Break |
| 11 | SS-728 | M 10x75 Screw |
| 12 | SS-176 | M5x20 Socket head Screw |
| 13 | 6165000-207M | Decorative Disc |
| 14 | 6165000-206M | Threaded Knob |
| 15 | SS-716 | M3x6 Flat HD Screw |
| 16 | 6165000-351 | Magnut |
| 17 | SS-800 | M6x16 Socket flat head Screw |

2.0 Swivel Arm Assembly



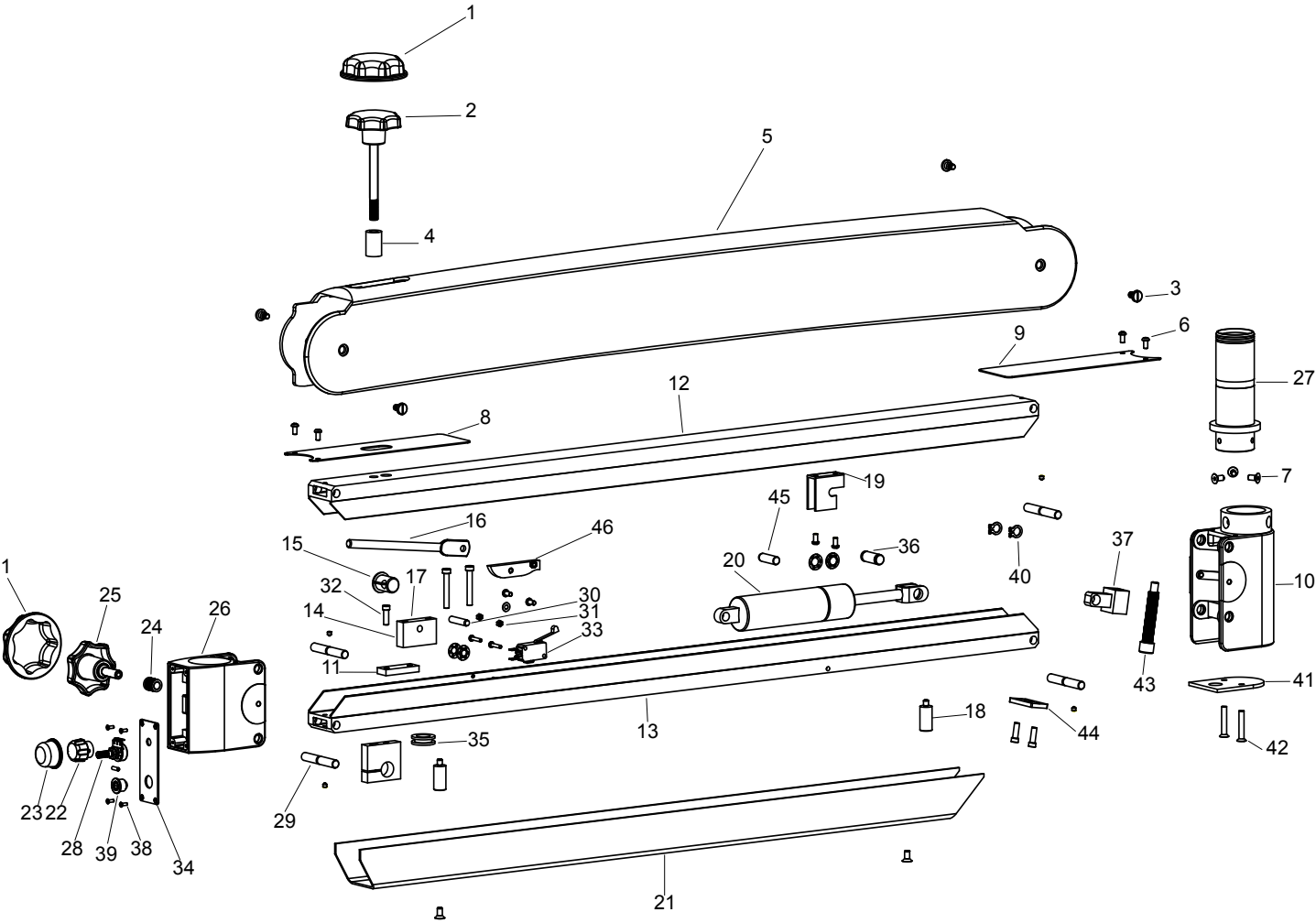
| ITEM | PART NUMBER | DESCRIPTION |
|------|--------------|-----------------------------|
| 1 | 6165000-840 | Swivel arm |
| 2 | 6165000-203 | Door |
| 3 | 6165000-212 | Pannel Bracket |
| 4 | 6165000-326 | Hindge clamp |
| 5 | 6134000-123 | Retaining Ring 38mm |
| 6 | 6165000-943 | Assy. front LED with cable |
| 7 | 6165000-325 | Holder front LED |
| 8 | 6165000-146 | Front shaft |
| 9 | 6165000-512 | Bracket illumination |
| 10 | 6165000-139 | Heat sink |
| 11 | A6165000-856 | LED kit |
| 12 | 6165000-150 | Fibre optic Cable |
| 13 | 6165000-512 | Illumination bracket |
| 14 | 6165000-936 | Power Supply Assy. |
| 15 | 6165000-166 | LED cover |
| 16 | 6165000-202M | Cover swivel arm (RH) |
| 17 | 6165000-201M | Cover swivel arm (LH) |
| 18 | 6168000-216 | Sterilizable knob cover |
| 19 | 6210000-827 | Locking knob Assembly |
| 20 | 8126000-907 | AC.1NLET |
| 21 | SS717 | M4 x12SKT/HD/SS |
| 22 | X54346 | KA 30x10 PT Oval head screw |
| 23 | 6165000-511 | Bracket back cover |
| 24 | 6165000-204M | Back cover |
| 25 | 8124900-950 | On/Off switch |
| 26 | 6165000-205M | Dust cover |

3.0 Suspension Arm Assembly



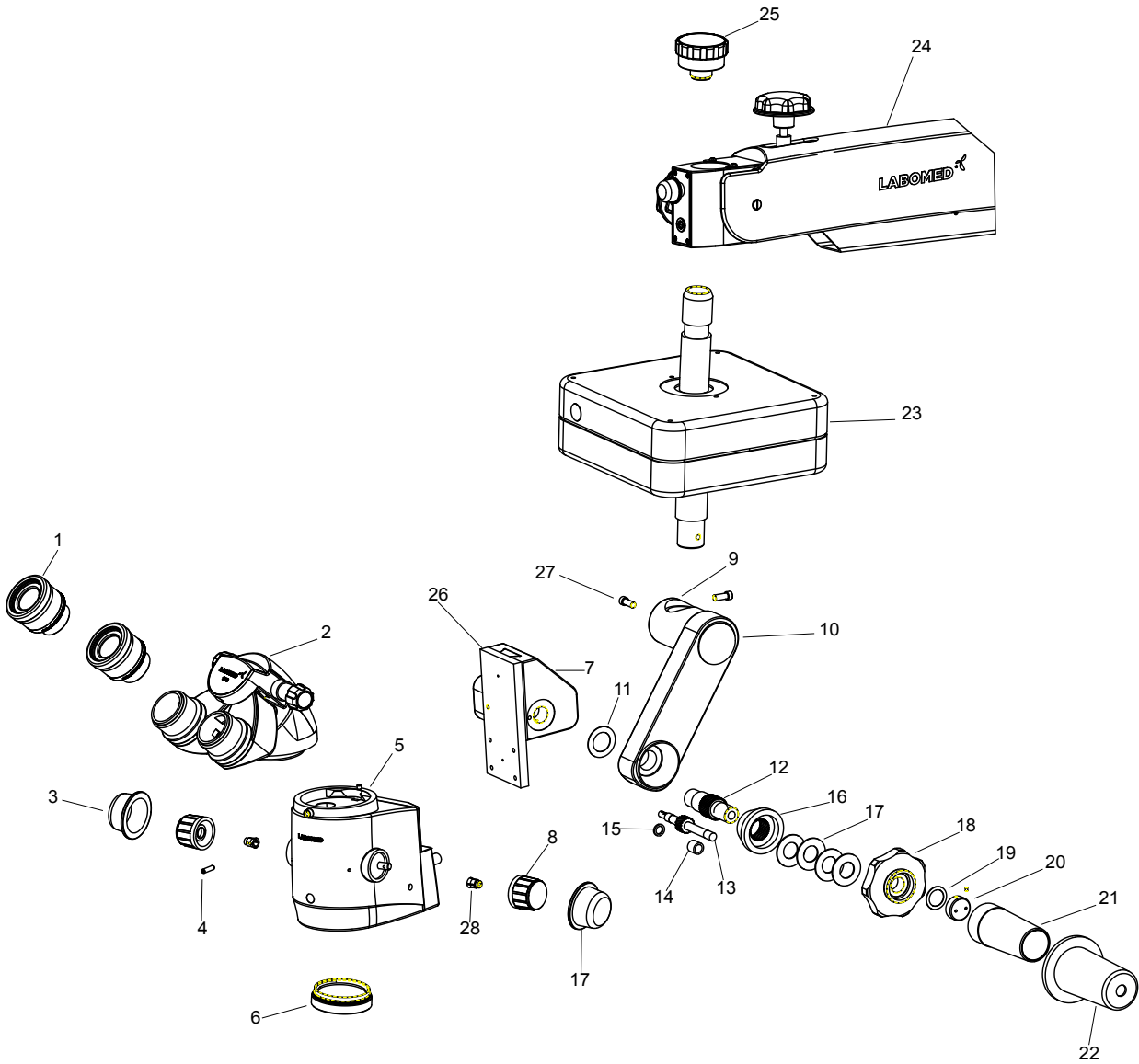
| ITEM | PART NUMBER | DESCRIPTION |
|------|-------------|-----------------------------------|
| 1 | 6134000-532 | Knob cover small |
| 2 | 6166000-812 | Locking Knob Suspension Arm |
| 3 | 6134000-263 | Seat Screw For Cover |
| 4 | 6134000-112 | Spacer |
| 5 | 6165000-114 | Cover suspension arm |
| 6 | SS 665 | M4 x 6.4/PAN/8.0 (10.0) DNA |
| 7 | SS 183 | M5 x 8 SKT. HD |
| 8 | 6134000-537 | Cover front coupling |
| 9 | 6134000-536 | Cover rear coupling |
| 10 | 6134000-817 | Rear coupling With SS Bushes |
| 11 | 6134000-160 | Locking Plate Lever |
| 12 | 6134000-261 | Flexible arm top |
| 13 | 6134000-260 | Flexible arm bottom |
| 14 | 6165000-859 | Clamp bushing With Coil Spring |
| 15 | 6134000-105 | Slited Bush |
| 16 | 6134000-106 | Lever |
| 17 | 6134000-107 | Lever mount |
| 18 | 6134000-548 | Supporting bush |
| 19 | 6134000-108 | Clamp cylinder |
| 20 | 6134000-109 | Gas Cylinder |
| 21 | 6134000-547 | Cable Cover |
| 22 | 6134000-534 | Potentiometer knob |
| 23 | 6134000-538 | Knob cover for Potentiometer knob |
| 24 | 6165000-152 | Treaded Bush |
| 25 | 6167500-806 | Locking Knob Swivel Arm |
| 26 | 6165000-826 | Front Coupling with Bearings |
| 27 | 6165000-120 | Front shaft |
| 28 | 6134000-915 | Potentiometer |
| 29 | 6134000-114 | Hinge Pin |
| 30 | 6134000-110 | Pin Lever (Dia 6) |
| 31 | 6134000-584 | Circlip quick lock benzing 6mm |
| 32 | SS-183 | M5x15 Socket head cap screw |
| 33 | 6165000-941 | Limit switch |
| 34 | 6167500-301 | Panel Plate |
| 35 | 6134000-122 | Cable Gland |
| 36 | 6134000-255 | Cylinder Huge pin |
| 37 | 6134000-117 | Tension Adjustment Nut |
| 38 | SS-668 | M2-5X5 CSK screw |
| 39 | 6134100-911 | Connector |
| 40 | 6134000-592 | Retaining Ring 10mm |
| 41 | 6134000-118 | Bottom Cover Rear Coupling |
| 42 | SS-641 | Screw M5X30 CSK |
| 43 | 6134000-478 | Tension Adjusting screw |
| 44 | 6134000-119 | Locking Plate Tension Adjustment |
| 45 | 6134000-111 | Cylinder Support Pin Dia 8 |
| 46 | 6134000-113 | Stoper Limit Switch |

4.0 Long Suspension Arm Assembly



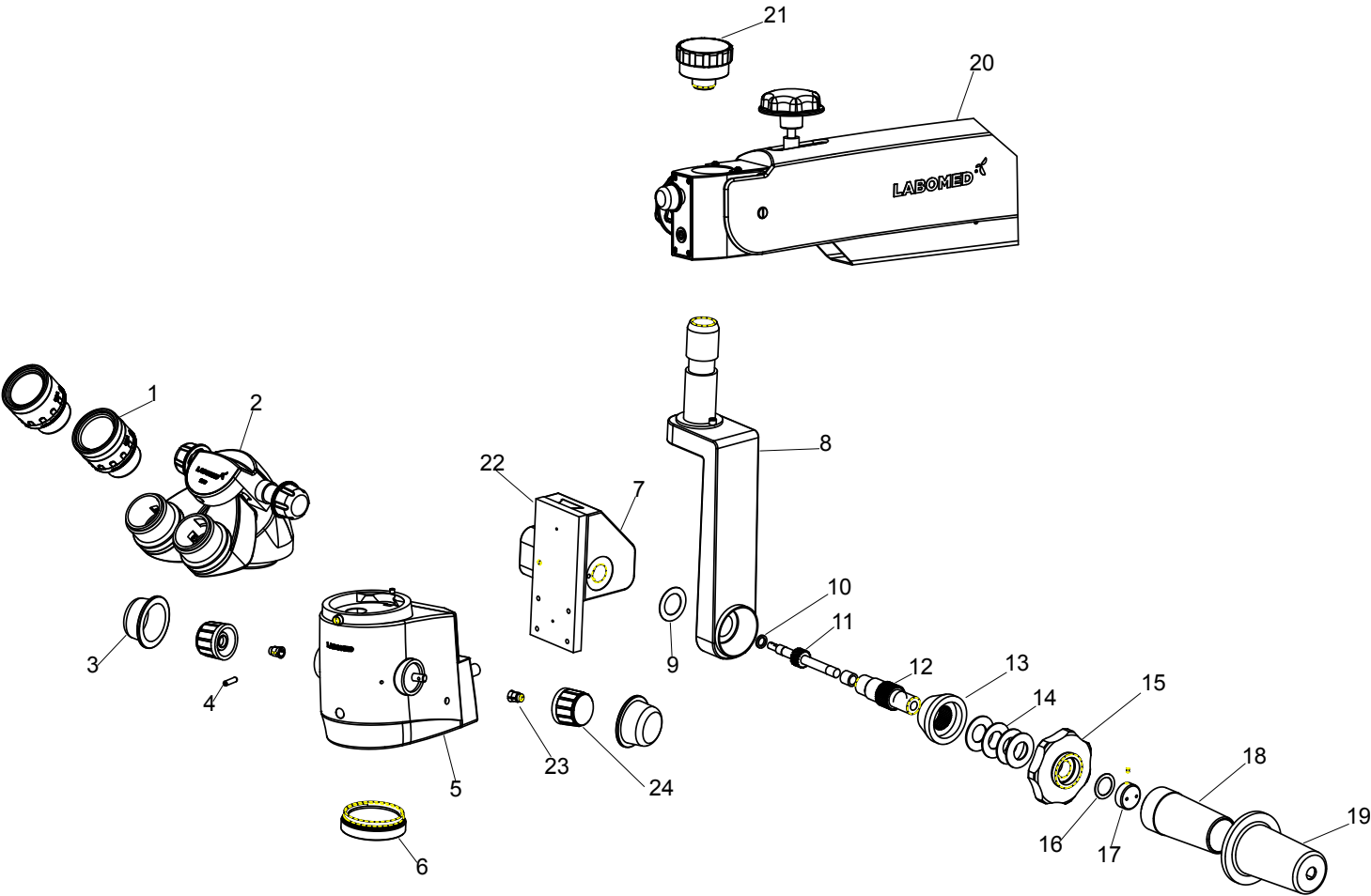
| ITEM | PART NUMBER | DESCRIPTION |
|------|-------------|-----------------------------------|
| 1 | 6134000-532 | Knob cover small |
| 2 | 6166000-812 | Locking Knob Suspension Arm |
| 3 | 6134000-263 | Seat screw for cover |
| 4 | 6134000-112 | Spacer |
| 5 | 6137400-201 | Cover suspension arm |
| 6 | SS 665 | M4 x 6.4/PAN/8.0 (10.0) DNA |
| 7 | SS 183 | M5 x 8 SKT. HD |
| 8 | 6134000-537 | Cover front coupling |
| 9 | 6134000-536 | Cover rear coupling |
| 10 | 6134000-817 | Rear coupling With SS Bushes |
| 11 | 6134000-160 | Locking Plate Lever |
| 12 | 6137400-261 | Long Flexible arm top |
| 13 | 6137400-260 | Long Flexible arm bottom |
| 14 | 6165000-859 | Clamp bushing With Coil Spring |
| 15 | 6134000-105 | Slitted Bush |
| 16 | 6134000-106 | Lever |
| 17 | 6134000-107 | Lever mount |
| 18 | 6134000-548 | Supporting bush |
| 19 | 6134000-108 | Clamp cylinder |
| 20 | 6134000-109 | Gas Cylinder |
| 21 | 6137400-302 | Cable Cover |
| 22 | 6134000-534 | Potentiometer knob |
| 23 | 6134000-538 | Knob cover for Potentiometer knob |
| 24 | 6165000-152 | Threaded Bush |
| 25 | 6167500-806 | Locking Knob Swivel Arm |
| 26 | 6165000-826 | Front Coupling With Bushes |
| 27 | 6165000-120 | Front shaft |
| 28 | 6134000-915 | Potentiometer |
| 29 | 6134000-114 | Hinge Pin |
| 30 | 6134000-110 | Pin Lever (Dia 6) |
| 31 | 6134000-584 | Circlip quick lock benzing 6mm |
| 32 | SS-183 | M5x15 Socket head cap screw |
| 33 | 6165000-941 | Limit switch |
| 34 | 6167500-301 | Panel Plate |
| 35 | 6134000-122 | Cable Gland |
| 36 | 6134000-255 | Cylinder Huge pin |
| 37 | 6134000-117 | Tension Adjustment Nut |
| 38 | SS-668 | M2-5X5 CSK screw |
| 39 | 6134100-911 | Connector |
| 40 | 6134000-592 | Retaining Ring 10mm |
| 41 | 6134000-118 | Bottom Cover Rear Coupling |
| 42 | SS-641 | Screw M5X30 CSK |
| 43 | 6134000-478 | Tension Adjusting screw |
| 44 | 6134000-119 | Locking Plate Tension Adjustment |
| 45 | 6134000-111 | Cylinder Support Pin Dia 8 |
| 46 | 6134000-113 | Stoper Limit Switch |

5.0 X-Y-Z Assembly



| ITEM | PART NUMBER | DESCRIPTION |
|------|-------------|---------------------------------|
| 1 | 4140011N | Eyepiece 10x |
| 2 | 6121035 | Inclined Head |
| 3 | 6168000-219 | Silicon Cover Magnichanger Knob |
| 4 | 6133000-857 | Head Locking Screw |
| 5 | 6133000-802 | Magnichanger OPH |
| 6 | 6165200-800 | Fix CMO 200mm |
| 7 | 6136000-116 | Motor Housing |
| 8 | 612086-457 | Magnichanger knob |
| 9 | 612086-701 | Arm Holder Z-axis |
| 10 | 6136000-827 | Link with Taper bush |
| 11 | 6136000-301 | Plain Washer |
| 12 | 6136000-119 | Spline Shaft |
| 13 | 6136000-121 | Pinion Z-axis |
| 14 | 6136000-120 | Spacer for Pinion |
| 15 | 6136000-123 | Washer for pinion |
| 16 | 6136000-118 | Taper Bush with Gear |
| 17 | 6136000-351 | Disc Spring |
| 18 | 6136000-133 | Tension Adjustment Knob |
| 19 | 6136000-302 | Teflon Washer |
| 20 | 6136000-124 | Check nut |
| 21 | 6136000-134 | Handle |
| 22 | 612086-711 | Handle Cover |
| 23 | 6165000-862 | X-Y Assembly |
| 24 | 6138000-815 | Suspension Arm Prima |
| 25 | 6165000-206 | Threaded Knob |
| 26 | 6136000-803 | Assy. Dovetail Slide with Rack |
| 27 | SS - 182 | M5x12 Skt. HI |
| 28 | 612086-459 | Collet for knob |

6.0 Z- Axis Assembly



| ITEM | PART NUMBER | DESCRIPTION |
|------|-------------|--------------------------------|
| 1 | 4140011N | Eyepiece 10x |
| 2 | 6121035 | Inclined Head |
| 3 | 6168000-219 | Silicon Cover Mag Knob |
| 4 | 6133000-857 | Head Locking Screw |
| 5 | 6133000-802 | Magnichanger OPH |
| 6 | 6165200-800 | Fix CMO 200mm |
| 7 | 6136000-116 | Motor Housing |
| 8 | 6136000-808 | Bracket with vertical shaft |
| 9 | 6136000-301 | Plain Washer |
| 10 | 6136000-123 | Washer for pinion |
| 11 | 6136000-121 | Pinion Z-axis |
| 12 | 6136000-119 | Spline Shaft |
| 13 | 6136000-118 | Taper bush with gear |
| 14 | 6136000-351 | Disc Spring |
| 15 | 6136000-133 | Tension Adjustment Knob |
| 16 | 6136000-302 | Teflon Washer |
| 17 | 6136000-124 | Check nut |
| 18 | 6136000-134 | Handle |
| 19 | 612086-711 | Handle cover |
| 20 | 6138000-815 | Suspension Arm Prima |
| 21 | 6165000-206 | Threaded Knob |
| 22 | 6136000-803 | Assy. Dovetail Slide with Rack |
| 23 | 612086-459 | Collet for knob |
| 24 | 612086-457 | Magnicharger Knob |



Labo America Inc.
920 Auburn Court
Fremont, CA
94538
U.S.A.

Phone: 510-445-1257
Fax: 510-991-9862
Email: sales@laboamerica.com
www.laboamerica.com

EU|REP.

Labomed Europe
Essebaan 50
NL-2908 LK Capelle a/d IJssel
The Netherlands
Tel: +31 (0)10 4584222
Fax: +31 (0)10 4508251
E-mail: info@labomedeuropa.com



DQS Inc.
Labo America Inc.
Registered to ISO 9001:2015
BR Number 10005565



LABOTECH MICROSCOPES INDIA Pvt Ltd