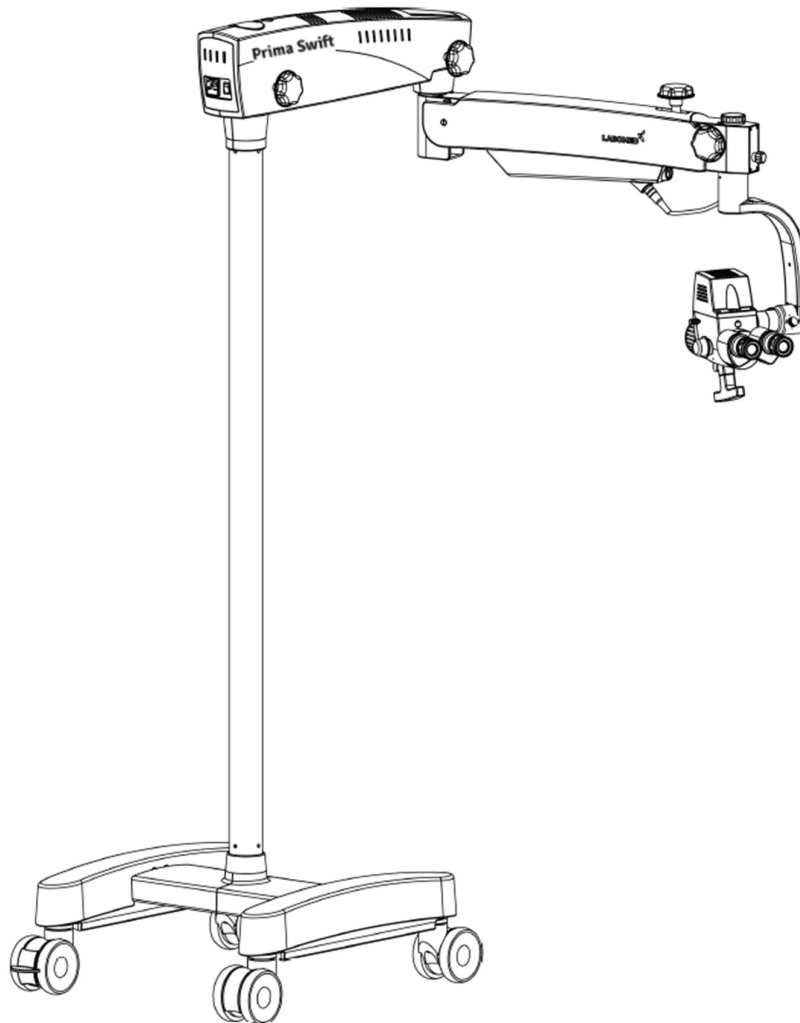


Prima Swift

Service/Part list Manual

Operating Surgical Microscopy

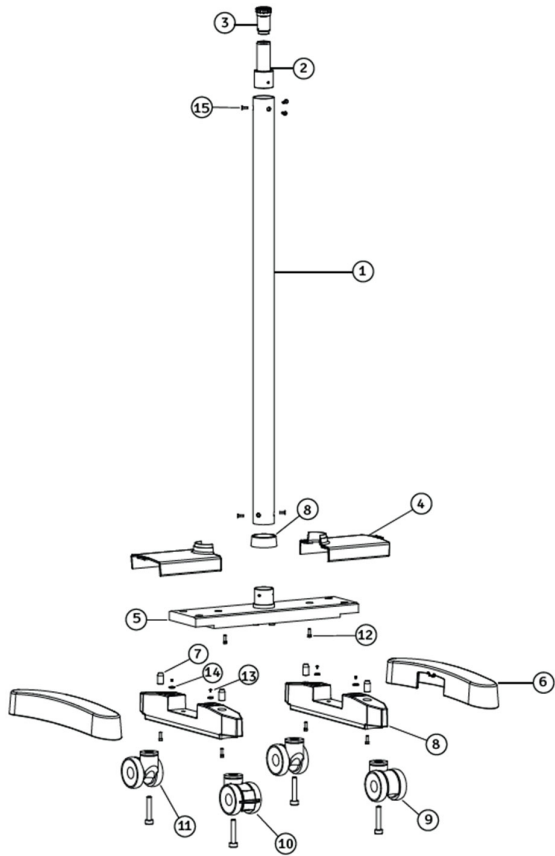


To ensure proper use of this instrument as well as to avoid injury while operating instrument, understanding this manual completely before use is highly recommended.

CONTENTS

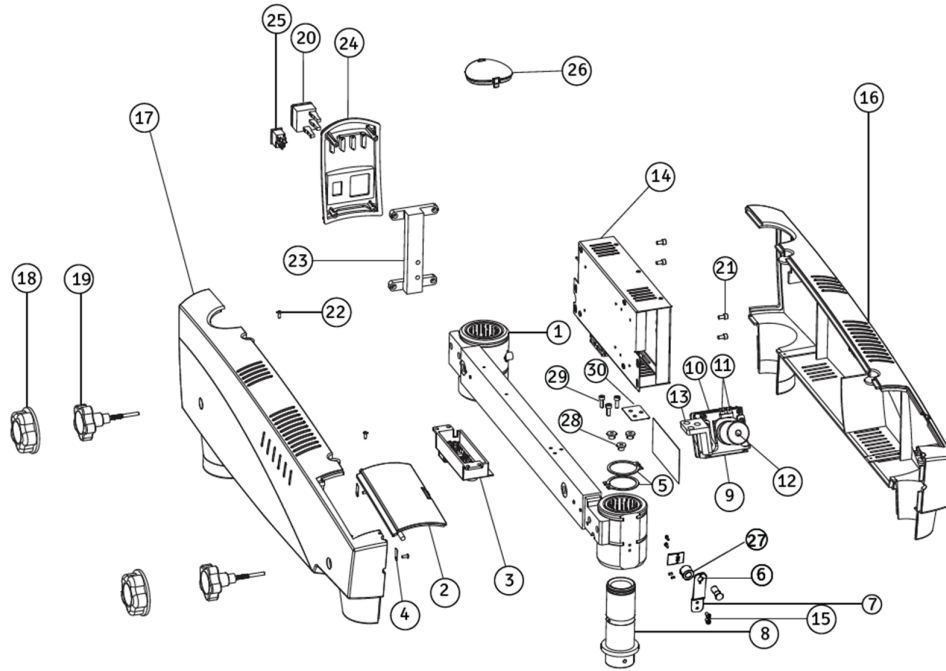
Base & Column Assembly	1
Swivel Arm Assembly	2
Suspension Arm Assembly	3-4
Carrier Assembly	5-6

1. BASE & COLUMN ASSEMBLY – PRIMA Swift



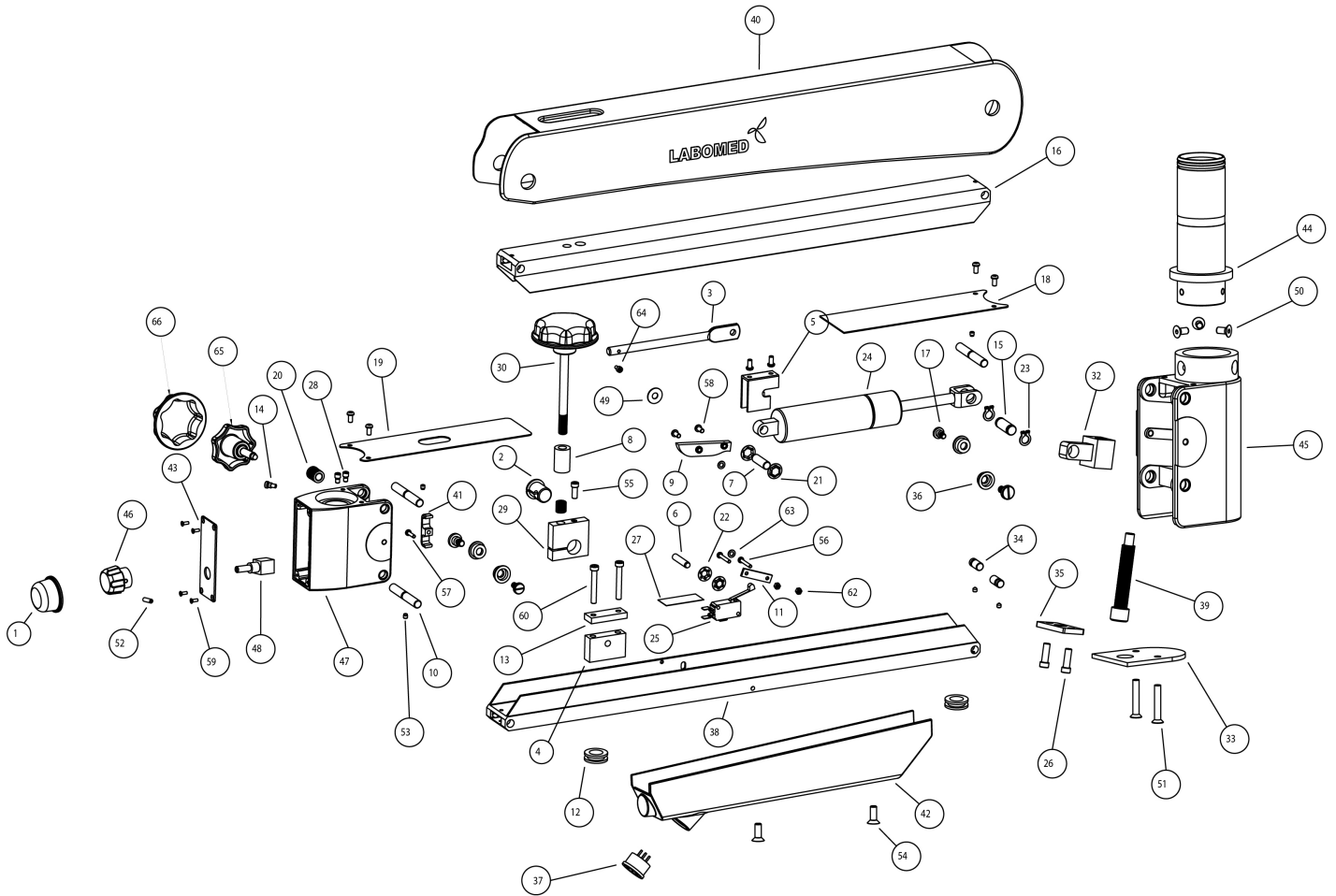
Item	Part No.	Description	Qty.
1	6165000-895	PILLAR	1
2	6134000-131	REAR SHAFT	1
3	6165000-897	ASSEMBLY THREADED PLUG	1
4	6165000-215	COVER CENTER SUPPORT	2
5	6165000-517	SUPPORT WHEEL CARRIER ASSEMBLY WITH GUIDE PLUG	2
6	6165000-214	COVER WHEEL SUPPORT COVERWITH MAGNET	2
7	6165000-127	TAPPER PIN	4
8	6165000-164	TAPPER RING	1
9	6134000-272	CASTER WHEEL	2
10	6134000-274	CASTER WITH LOCK BREAK	2
11	SS-728	M 10X75 SCREW	4
12	SS-176	M5X20 SOCKET HEAD SCREW	4
13	SS-716	M3X6 FLAT HD SCREW	4
14	6165000-351	MAGNUT	4
15	SS-800	SOCKET FLAT HD SCREW M6x16	3

2. SWIVEL ARM ASSEMBLY – PRIMA Swift



Item	Part No.	Description	Qty.
1	6165000-811	SWIVEL ARM	1
2	6165000-203	DOOR	1
3	6165000-212	PANNEL BRACKET	1
4	6165000-326	HINDGE CLAMP	1
5	6134000-123	RETAINING RING 38MM	2
6	6165000-943	ASSY. FRONT LED WITH CABLE	1
7	6165000-325	HOLDER FRONT LED	1
8	6165000-146	FRONT SHAFT	1
9	6165000-512	BRACKET ILLUMINATION	1
10	6165000-139	HEAT SINK	1
11	A6165000-856	LED KIT	1
12	6165000-150	FIBRE OPTIC CABLE	1
13	AVT-810-00	POWER SUPPLY ASSY.	1
14	6165000-166	LED COVER	1
15	6165000-202M	COVER SWIVEL ARM (RH)	1
16	6165000-201M	COVER SWIVEL ARM (LH)	1
17	6168000-216	STERILIZABLE KNOB COVER	2
18	6210000-827	LOCKING KNOB ASSEMBLY	2
19	6210000-827	LOCKING KNOB ASSEMBLY	2
20	SS-717	M4X12 SKT/HD/SS	4
21	X54346	KA 30X10 PT OVAL HEAD SCREW	6
22	6165000-511	BRACKET BACK COVER	1
23	6165000-204M	BACK COVER	1
24	WSWT20024	ON/OFF SWITCH	1
25	6165000-205M	DUST COVER	1

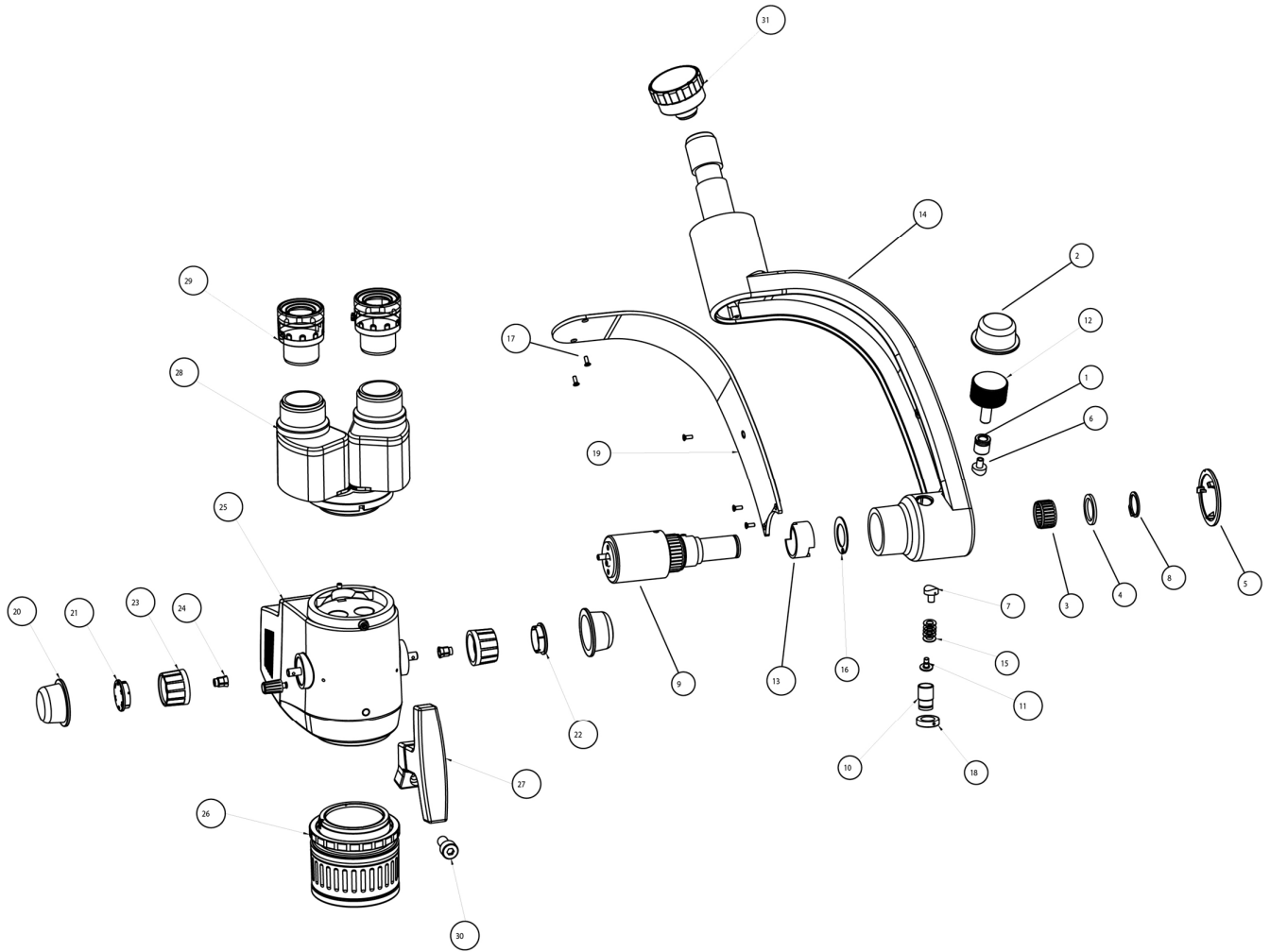
3. SUSPENSION ARM ASSEMBLY – PRIMA Swift



SUSPENSION ARM ASSEMBLY – PRIMA Swift (continued)

ITEM	PART NUMBER	DESCRIPTION	QTY.
1	6168000-216	KNOB COVER	2
2	6134000-168	ASSY. KNOB TENSION ADJUSTMENT	1
3	6134000-263	SEAT SCREW FOR COVER	4
4	6134000-112	SPACER	1
5	6165000-114	COVER SUSPENSION ARM	1
6	SS 665	M4 X 6.4/PAN/8.0 (10.0) DNA	8
7	SS -802	M5 X 10 CSK SCREW	5
8	6167500-237	COVER FRONT COUPLING	1
9	6134000-536	COVER REAR COUPLING	1
10	6134000-817	REAR COUPLING WITH SS BUSHES	1
11	6134000-160	LOCKING PLATE LEVER	1
12	6134000-261	FLEXIBLE ARM TOP	1
13	6134000-260	FLEXIBLE ARM BOTTOM	1
14	6165000-859	CLAMP BUSHING WITH COIL SPRING	1
15	6134000-105	SLITED BUSH	1
16	6134000-106	LEVER	1
17	6134000-107	LEVER MOUNT	1
18	6134000-548	SUPPORTING BUSH	2
19	6134000-108	CLAMP CYLINDER	1
20	6134000-109M	GAS CYLINDER	1
21	6134000-547	CABLE COVER	1
22	6129000-116	POTENTIOMETER KNOB	1
23	6122015-210	KNOB COVER FOR POTENTIOMETER KNOB	1
24	6167500-122	TREADED BUSH	1
25	6167500-806	LOCKING KNOB SWIVEL ARM	1
26	6167500-826	FRONT COUPLING WITH BEARINGS	1
27	6165000-146	FRONT SHAFT	1
28	AVT-810-POT	ASSEMBLY POTENTIOMETER WIRE	1
29	6134000-114	HINGE PIN	4
30	6134000-110	PIN LEVER (DIA 6)	1
31	6134000-584	CIRCLIP QUICK LOCK BENZING 6MM	2
32	SS-182	M5X12 SOCKET HEAD CAP SCREW	1
33	AVT-810-SW	ASSEMBLY LIMIT SWITCH CABLE	1
34	6167500-304	PANEL PLATE	1
35	6134000-122	CABLE GLAND	1
36	6134000-255	CYLINDER HUGE PIN	1
37	6134000-117	TENSION ADJUSTMENT NUT	1
38	SS-668	M2-5X5 CSK SCREW	4
39	6134000-592	RETAINING RING 10MM	2
40	6134000-118	BOTTOM COVER REAR COUPLING	1
41	SS-811	SCREW M5X35 CSK	2
42	6134000-478	TENSION ADJUSTING SCREW	1
43	6134000-119	LOCKING PLATE TENSION ADJUSTMENT	1
44	6134000-111	CYLINDER SUPPORT PIN DIA 8.MM	1
45	6134000-113	STOPPER LIMIT SWITCH	1
46	6165000-330	PLAIN WASHER	3
47	6134000-580	CIRCLIP QUICK LOCK BENZING 8MM	2

4. CARRIER ARM ASSEMBLY – PRIMA Swift



CARRIER ASSEMBLY – PRIMA Lite (Continued)

ITEM	PART NUMBER	DESCRIPTION	QTY.
1	6167500-135	LOCK NUT	1
2	6134010-472	SEAT SCREW	1
3	6134010-805	INCLINED COUPLING ASSEMBLY	1
4	6165000-405	STOPPER SCREW	1
5	6167500-824	CARRIER ASSEMBLY	1
6	6122011	LOCKABLE EYEPIECES 10x	2
7	6167500-821	AXLE ASSEMBLY WITH PIN	1
8	6122015-811	ERGO HEAD	1
9	A6133000-801	MAGNICHANGER ASSEMBLY	1
10	6132000-017	LOCKING SCREW	1
11	612086-457	KNOB MAGNICHANGER	2
12	612086-459	COLLET	2
13	6133250-801	CMO ASSEMBLY	1
14	6134000-811	LOCKING KNOB ASSEMBLY	1
15	612086-458	KNOB COVER RIGHT	1
16	612086-458L	KNOB COVER LEFT	1
17	6129000-206M	FIBRE CABLE MANAGER	1
18	6134010-452	BRASS WASHER	2
19	6134010-450	WASHER SQUARE HOLE	1
20	6134010-453	PLAIN WASHER SS	2
21	6134010-451	DISC WASHER	5
22	SS-1005	LOCK NUT M12	2
23	6134010-455	WASHER HOUSING	1
24	SS-880	BOLT M6X80	1
25	6167500-204	LOCKING KNOB	1
26	6168000-216	COVER KNOB	2
27	6156250-201	PROTECTOR LENS ASSEMBLY	1
28	6165000-123	PIN	1
29	6133000-599	HANDLE COVER	2
30	X54654	SCREWS M4x8	2
31	6165000-521	MOUNT ERGO HANDLE	1
32	6133000-498	MOUNT ERGO HANDLE (JAPAN)	1
33	6133000-598	ULTRA HANDLE	2
34	6134010-474	THREADED BUSH M12x10	1
35	SS-125	M25X5.0 SCREW CABLE LAMP	1
36	6165000-218	THREADED PLUG	1
37	6134010-476	S.S STUD	1
38	6165000-187	STOPPER SCREW	1



Labo America Inc.
920 Auburn Court
Fremont, CA
94538
U.S.A.

Phone: 510-445-1257
Fax: 510-991-9862
Email: sales@laboamerica.com
www.laboamerica.com



Labomed Europe
Essebaan 50
NL-2908 LK Capelle a/d IJssel
The Netherlands
Tel: +31 (0)10 4584222
Fax: +31 (0)10 4508251
E-mail: info@labomedeuropa.com



DQS Inc.
Labo America Inc.
Registered to ISO 9001:2015
BR Number 10005565



LABOTECH MICROSCOPES INDIA Pvt Ltd