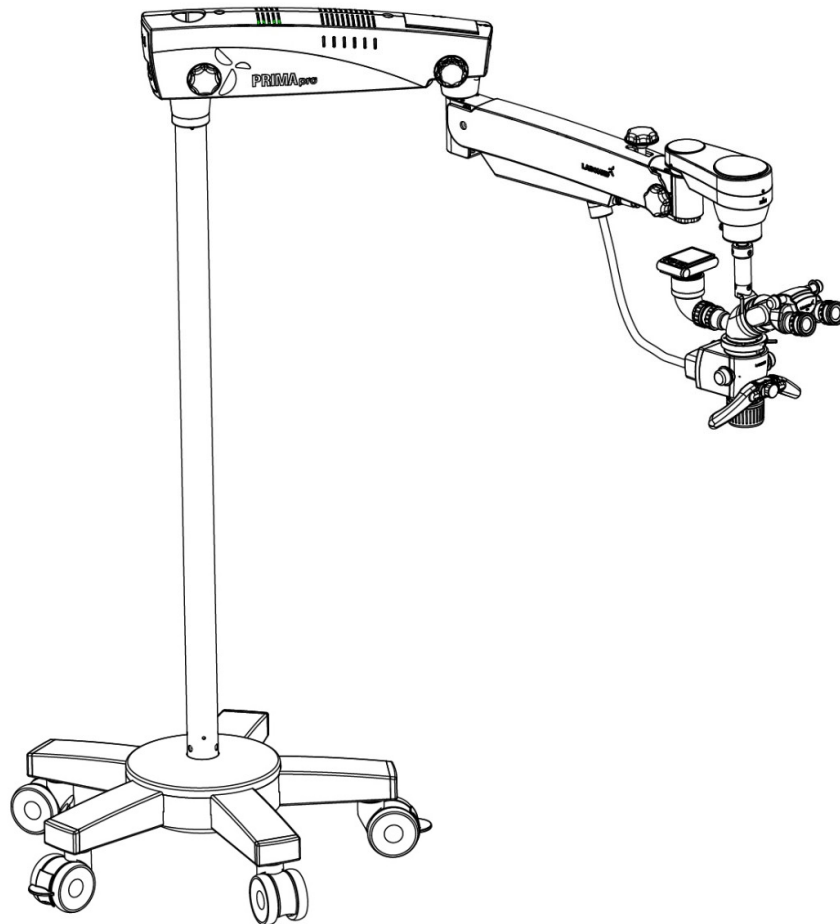


Prima Pro

Service/Part list Manual

Operating Surgical Microscopy

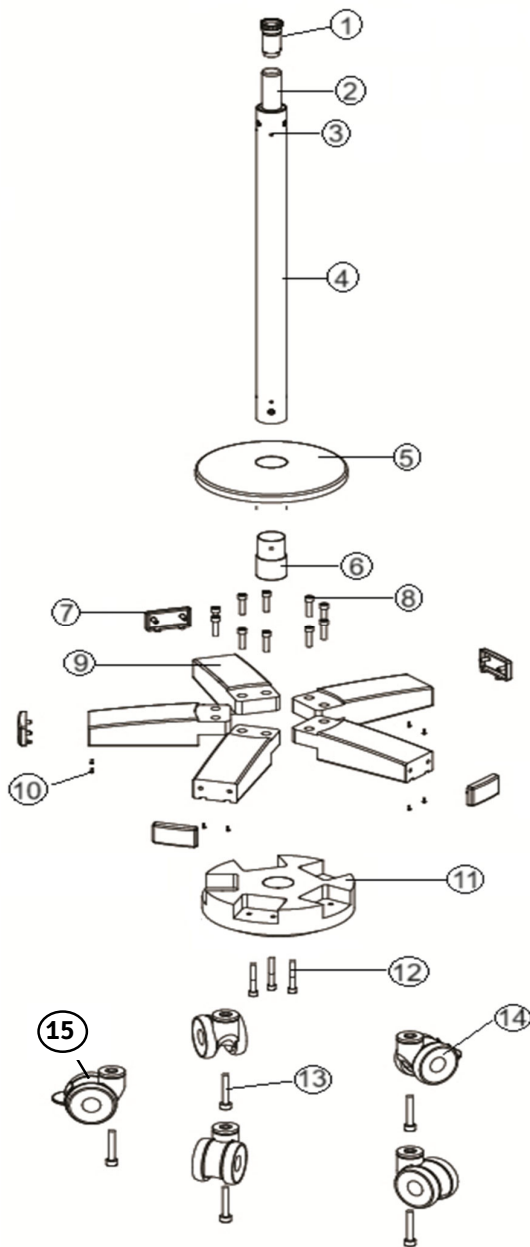


To ensure proper use of this instrument as well as to avoid injury while operating instrument, understanding this manual completely before use is highly recommended.

CONTENTS

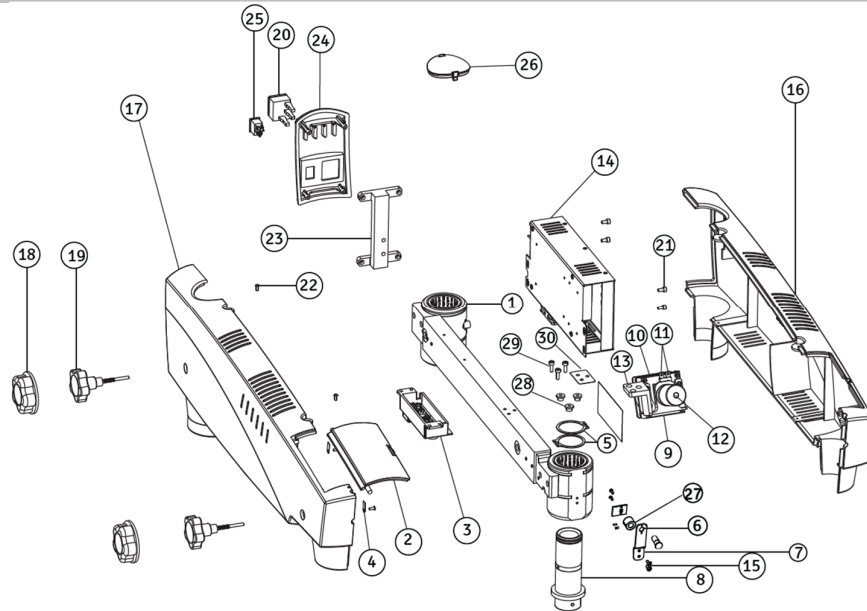
1	Base & Column Assembly	1
2	Swivel Arm Assembly	2
3	Suspension Arm Assembly	3-4
4	Carrier Assembly (ABA)	5

1. BASE & COLUMN ASSEMBLY – PRIMA Pro



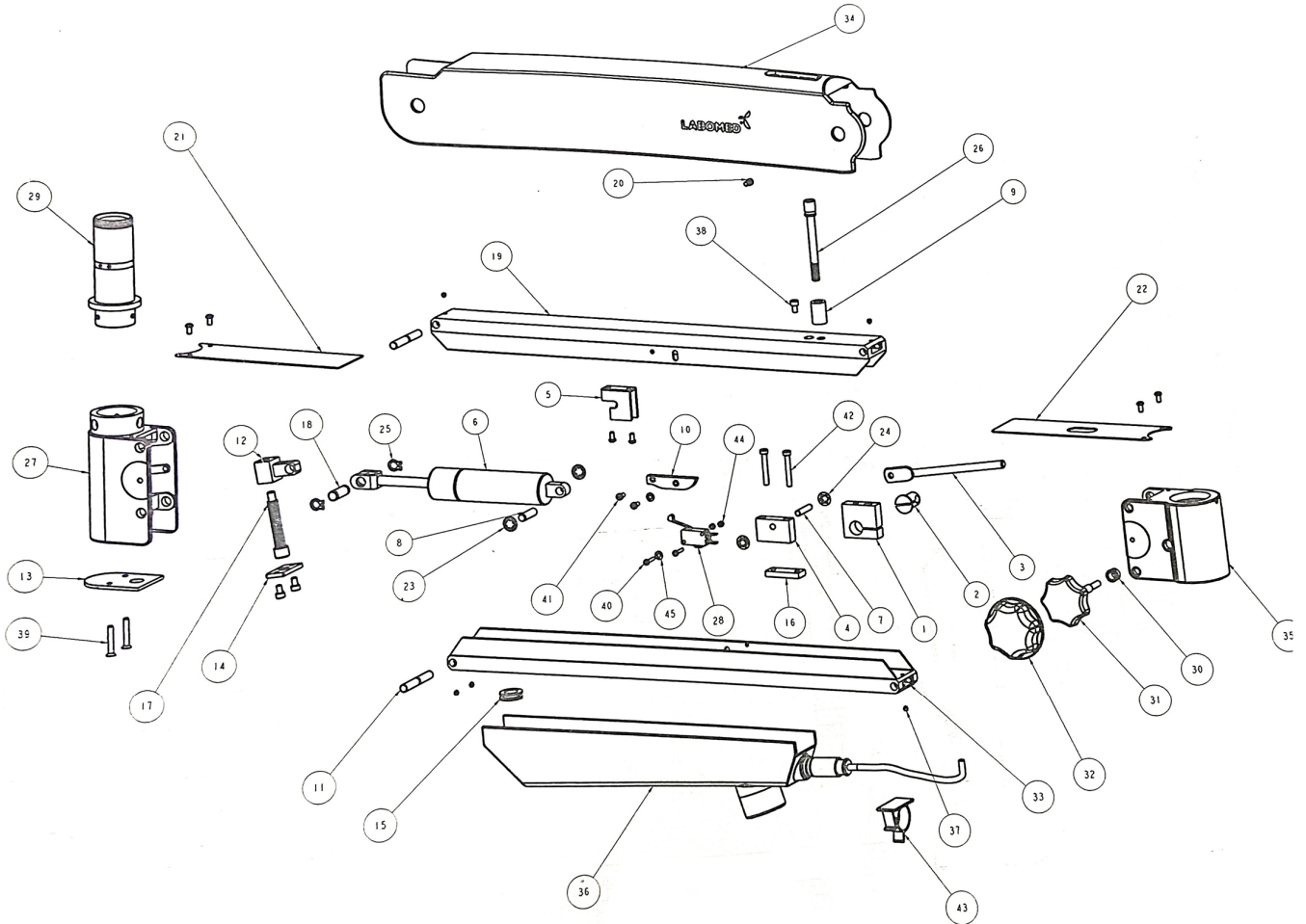
Item	Part No.	Description	Qty.
1	6165000-897	Ass'y. Threaded Plug	1
2	6134000-131	Rear Shaft	1
3	SS – 800	SOCKET FLAT HD SCREW M6x16	3
4	6165000-895	Pillar	1
5	6182001-532	Base Top	1
6	6182001-145	Guide Plug Column	1
7	6310000-201	Side Cover base	5
8	SS – 707	M10x40/SCHS	10
9	6182001-852	Leg With Coil Spring	5
10	SS – 659	M3/5.2/PAN/8.0/10.0)/DNA	10
11	6152001-530	Base Bottom	1
12	SS – 721	Allen Bolt M10x70	3
13	SS – 728	M12x75/SHCS	5
14	6134000-272	Castor Wheel Without Lock	3
15	6134000-274	Castor Wheel Lockable	2

2. SWIVEL ARM ASSEMBLY – PRIMA Pro



Item	Part No.	Description	Qty.	
1	6165000-811	SWIVEL ARM	1	
2	6165000-203	DOOR	1	
3	6165000-212	PANNEL BRACKET	1	
4	6165000-326	HINDGE CLAMP	1	
5	6134000-123	RETAINING RING 38MM	2	
6	6165000-943	ASSY. FRONT LED WITH CABLE	1	
7	6165000-325	HOLDER FRONT LED	1	
8	6165000-146	FRONT SHAFT	1	
9	6165000-512	BRACKET ILLUMINATION	1	
10	6165000-139	HEAT SINK	1	
11	A6165000-856	LED KIT	1	
12	6165000-150	FIBRE OPTIC CABLE	1	
13	AVT-810-00	POWER SUPPLY ASSY.	1	
14	6165000-166	LED COVER	1	
15	6165000-202M	COVER SWIVEL ARM (RH)	1	
16	6165000-201M	COVER SWIVEL ARM (LH)	1	
17	6168000-216	STERILIZABLE KNOB COVER	2	
18	6210000-827	LOCKING KNOB ASSEMBLY	2	
29	8126000-907	POWER ENTRY MODULE	1	
20	SS-717	M4X12 SKT/HD/SS	4	
21	X54346	KA 30X10 PT OVAL HEAD SCREW	6	
22	6165000-511	BRACKET BACK COVER	1	
23	6165000-204M	BACK COVER	1	
24	WSWT20024	ON/OFF SWITCH	1	
25	6165000-205M	DUST COVER	1	

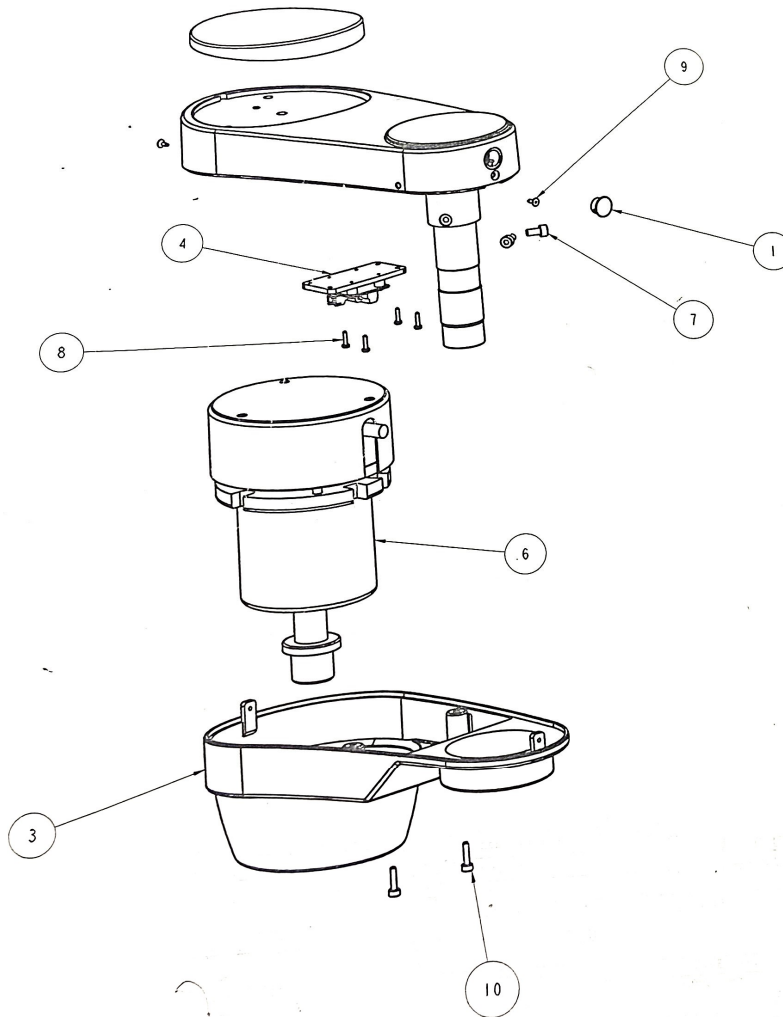
3. SUSPENSION ARM ASSEMBLY – PRIMA Pro



SUSPENSION ARM ASSEMBLY – PRIMA Pro (continued)

Item	Part No.	Description	Qty.
1	6134000-104	Clamp Bushing	1
2	6134000-105	Slitted Bush	1
3	6134000-106	Lever	1
4	6134000-107	Lever Mount	1
5	6134000-108	Clamp Cylinder	1
6	6134000-109	Gas Cylinder (900N)	1
7	6134000-110	Pin Lever DIA 6	1
8	6134000-111	Cylinder Support Pin DIA 8	1
9	6134000-112	Spacer	1
10	6134000-113	Stop Limit Switch	1
11	6134000-114	Grooved Hinge Pin	2
12	6134000-117	Tension Adjustment Nut	1
13	6134000-118	Bottom Cover rear Coupling	1
14	6134000-119	Locking Plate Tension Adjustment	1
15	6134000-122	Cable Gland	1
16	6134000-160	Locking Plate Lever	1
17	6134000-166	M10x70 Allen Bolt	1
18	6134000-255	Cylinder Hinge pin	1
19	6134000-261	Flexible Arm Top	1
20	6134000-263	Seat Screw Cover	1
21	6134000-536	Cover rear Coupling	1
23	6134000-580	Circlip Quick Lock Benzing 8mm	2
24	6134000-584	Circlip Quick Lock Benzing 6mm	2
25	6134000-592	Retaining ring 10mm	2
26	6134000-812	Locking knob Suspension Arm	1
27	6134000-817	Back Bracket	1
28	6134000-914	Limit Switch	1
29	6165000-146	Front Shaft	1
30	6167500-122	Stopper Screw	1
31	6167500-827	Locking knob Front Coupling	1
32	6168000-216M	Cover Locking knob	1
33	6182001-139	Flexible Arm Bottom	1
34	6182001-220	Cover Suspension Arm	1
35	6182001-835	Assy. Front Coupling	1
36	6182001-836	Cable Cover Assembly	1
37	SS – 165	M4x4/GRB/UB	5
38	SS – 183	M5x8 Socket Head Cap Screw	3
39	SS – 641	M5x30 Cross Recessed Flat HD	2
40	SS – 662	M3x15/PH/PAN/DNA	2
41	SS – 665	M4x8 Pan Head	8
42	SS – 803	Socket Head cap Screw M5x35	2
43	TS – 2325	Clamp	1
44	X52222	M3 Hex Nut	2
45	X54223	Plain Washer ID4.2xOD 8.6x 0.5THK	2

4. CLUTCH ASSEMBLY – ABA PRIMA Pro



Item	Part No.	Description	Qty
1	4140100-209	Decorative Cap	1
2	6129000-217	Top cover Short Swivel Arm	1
3	6182001-211	Cover Short Swivel Arm	1
4	6182001-820	Clutch PCB Assembly	1
5	6182001-828	Sub Assy. Short Swivel Arm	1
6	6182001-829	Clutch Assembly	1
7	SS – 629	M4x8.0 Socket HD cap Screw	2
8	SS - 701	M2x8.5/PH/PAN/DNA/Black	4
9	SS – 852	PAN HD. Screw M2 5x5.0	2
10	X54246	M3x12 SKT HD/LPS/SS	2



Labo America Inc.
920 Auburn Court
Fremont, CA
94538
U.S.A.

Phone: 510-445-1257
Fax: 510-991-9862
Email: sales@laboamerica.com
www.laboamerica.com



Labomed Europe
Essebaan 50
NL-2908 LK Capelle a/d IJssel
The Netherlands
Tel: +31 (0)10 4584222
Fax: +31 (0)10 4508251
E-mail: info@labomedeuropa.com



DQS Inc.
Labo America Inc.
Registered to ISO 9001:2015
BR Number 10005565



LABOTECH MICROSCOPES INDIA Pvt Ltd