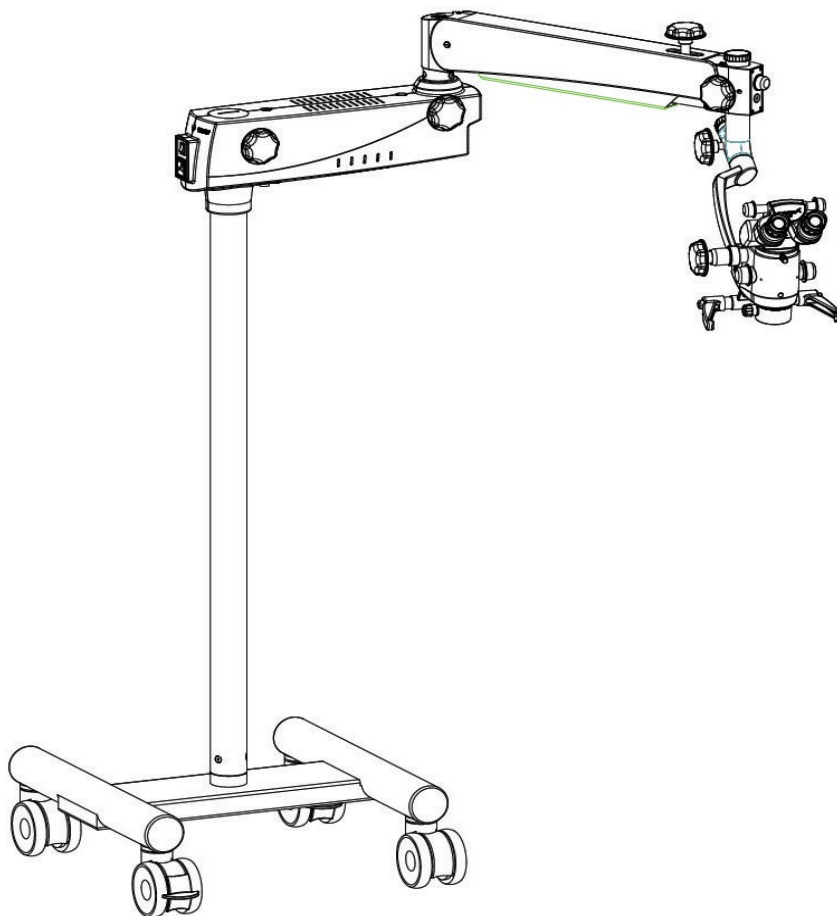


Prima Mu Service / Part List Manual

Operating Surgical Microscopy



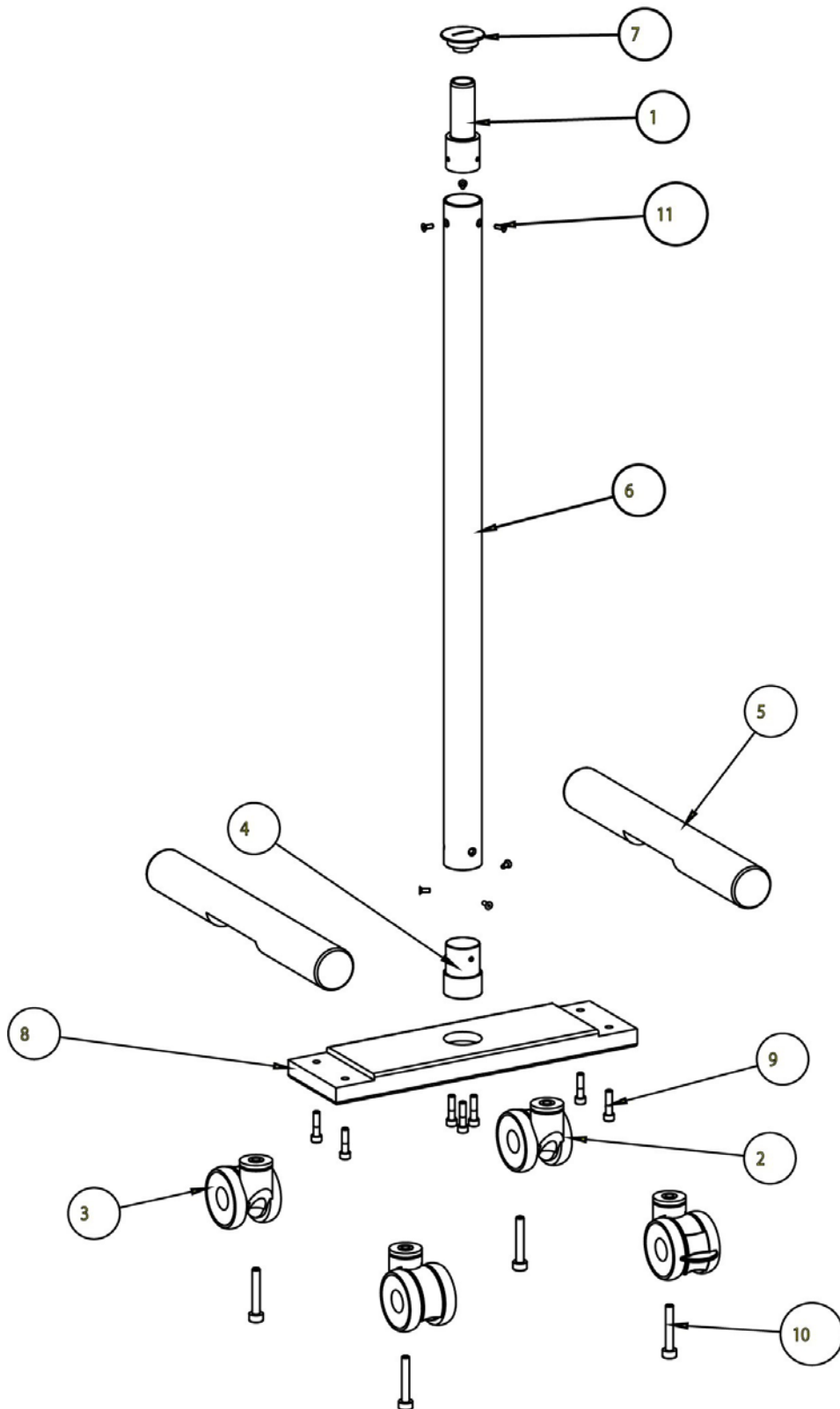
To ensure proper use of this instrument as well as to avoid injury while operating instrument, understanding this manual completely before use is highly recommended.

LABOMED Prima Mu Service / Part List Manual

Contents

1.0	Base & Column assembly Prima Mu.....	1-2
2.0	Swivel Arm Assembly Prima Mu.....	3-4
3.0	Suspension Arm Assembly Prima Mu.....	5-6
4.0	Inclined Coupling & carrier Assembly Prima Mu.....	7-8

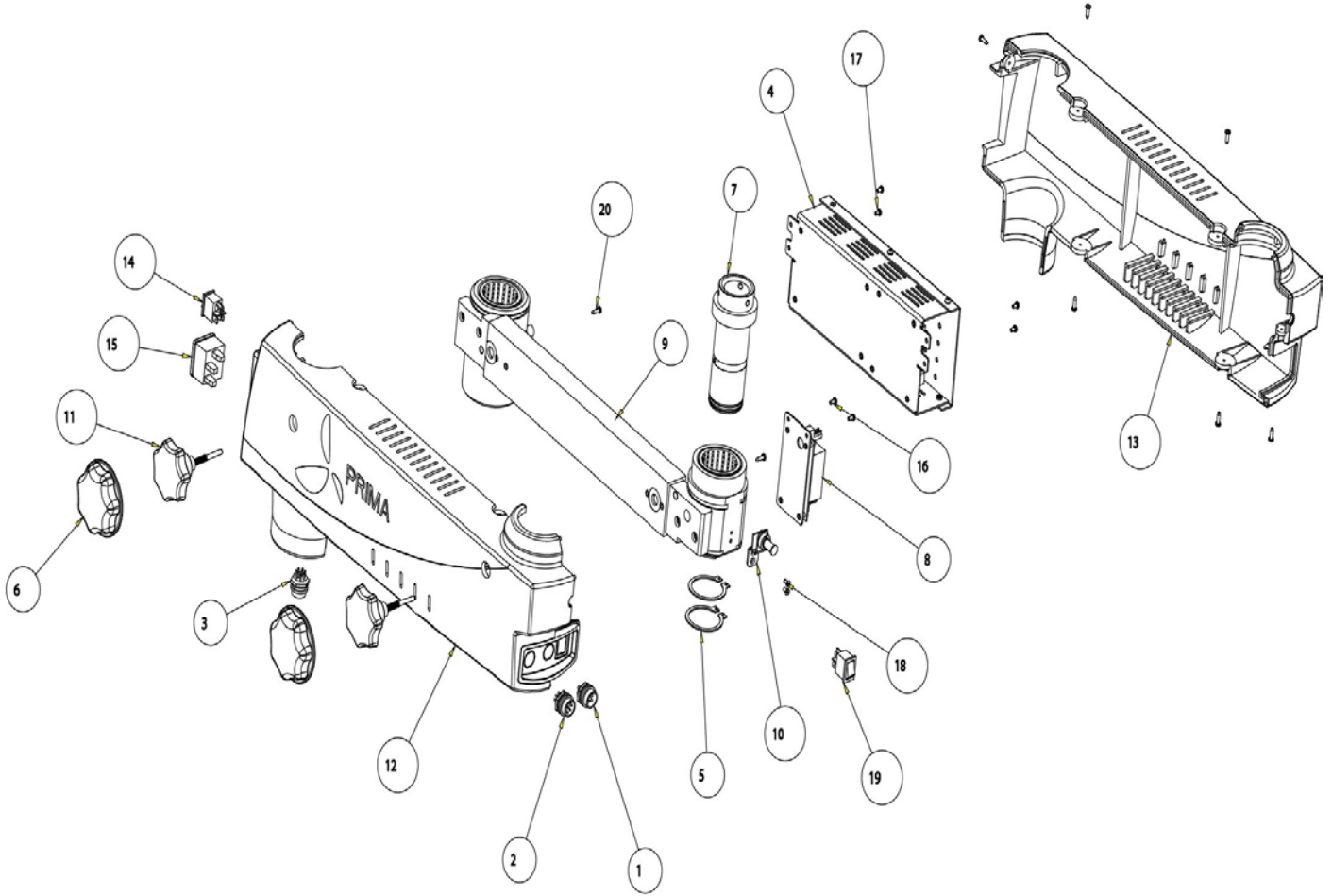
1.0 Base & Column Assembly Prima Mu



Base & Column Assembly Prima Mu

ITEM	QTY	PART NUMBER	DESCRIPTION
1	1	6134000-131	REAR SHAFT
2	2	6134000-272	CASTER WHEEL WITHOUT LOCK
3	2	6134000-274	CASTER WHEEL WITH LOCK
4	1	6165000-153	GUIDE PLUG COLUMN
5	2	6210000-104	WHEEL CARRIER BASE
6	1	6210000-108	PILLAR
7	1	6210000-137	DEAD NUT
8	1	6210000-519	SUPPORT WHEEL CARRIER
9	7	SS-707	M10 X 40 ALLEN BOLT
10	4	SS-728	M12 X 75 SKT. HEAD CAP SCREW (SS)
11	6	SS-800	SOCKET FLAT HD SCREW M6x16

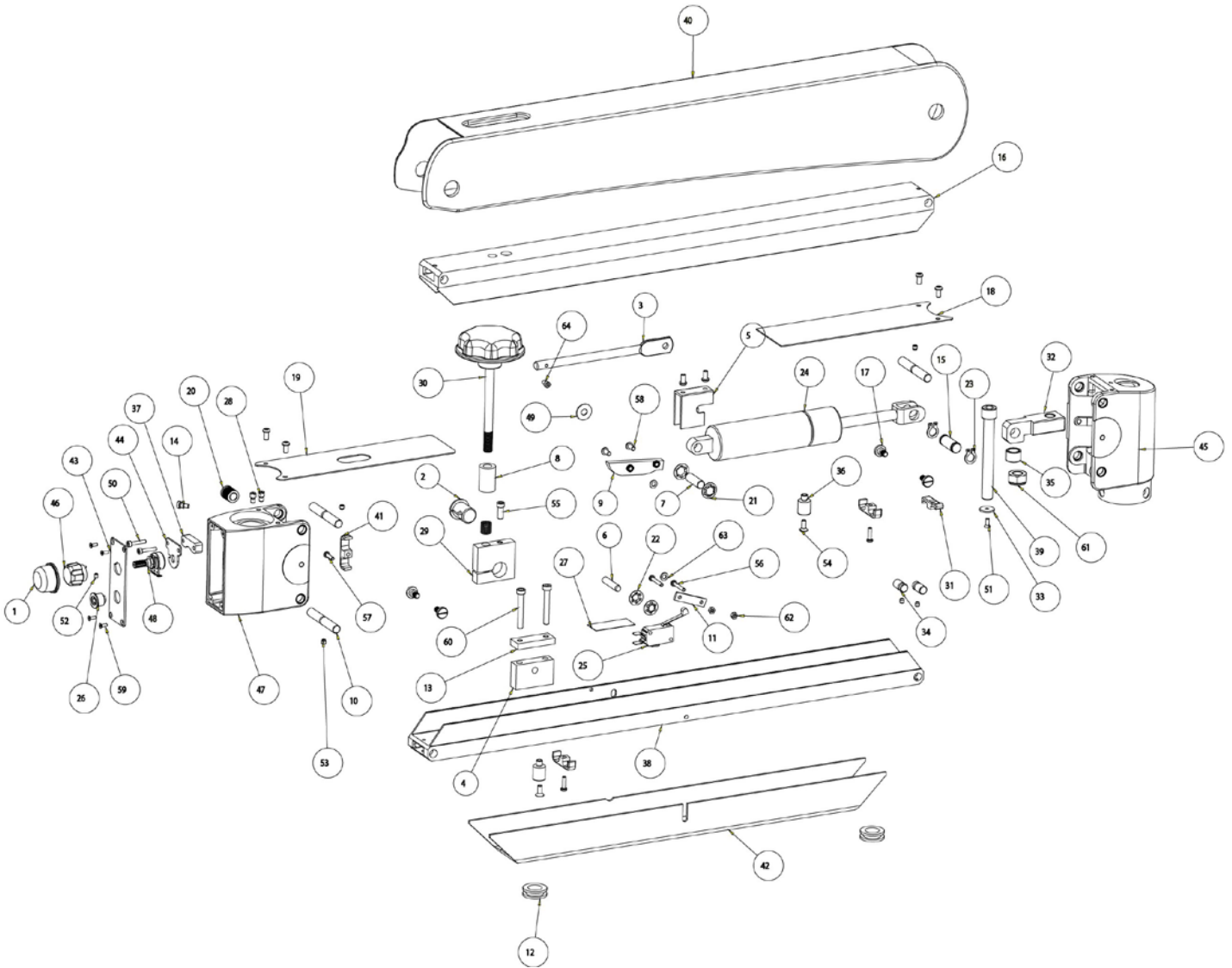
2.0 Swivel arm assembly Prima Mu



Swivel arm assembly Prima Mu

ITEM	QTY	PART NUMBER	DESCRIPTION
1	1	612086-917F	4-PIN-CONNECTOR-F
2	1	612086-918F	7-PIN-CONNECTOR-F
3	1	612086-919F	9-PIN-CONNECTOR-F
4	1	6128000-950	POWER SUPPLY ASSEMBLY
5	2	6134000-123	RETAINING RING DIA 38
6	2	6168000-216M	COVER LOCKING KNOB
7	1	6210000-146	FRONT SHAFT
8	1	6210000-809	Z-AXIS POWER SUPPLY ASSEMBLY
9	1	6210000-811	SWIVEL ARM ASSEMBLY
10	1	6210000-825	LED ASSEMBLY
11	2	6210000-827	LOCKING KNOB ASSEMBLY
12	1	6210000-201M	SWIVEL ARM COVER LH
13	1	6210000-202M	SWIVEL ARM COVER RH
14	1	8124900-950	ON/OFF SWITCH
15	1	8126000-907	POWER ENTRY MODULE
16	2	SS-658	PAN HD. SCEW M3x6.0
17	4	SS-664	M3 X 5/PH/PAN/DNA
18	2	SS-716	M2.5x5.0 FLAT HD SCREW
19	1	WSWT20024	ON/OFF SWITCH
20	8	X54346	DIA 2.9x13 PAN HEAD SELF TAP SCREW

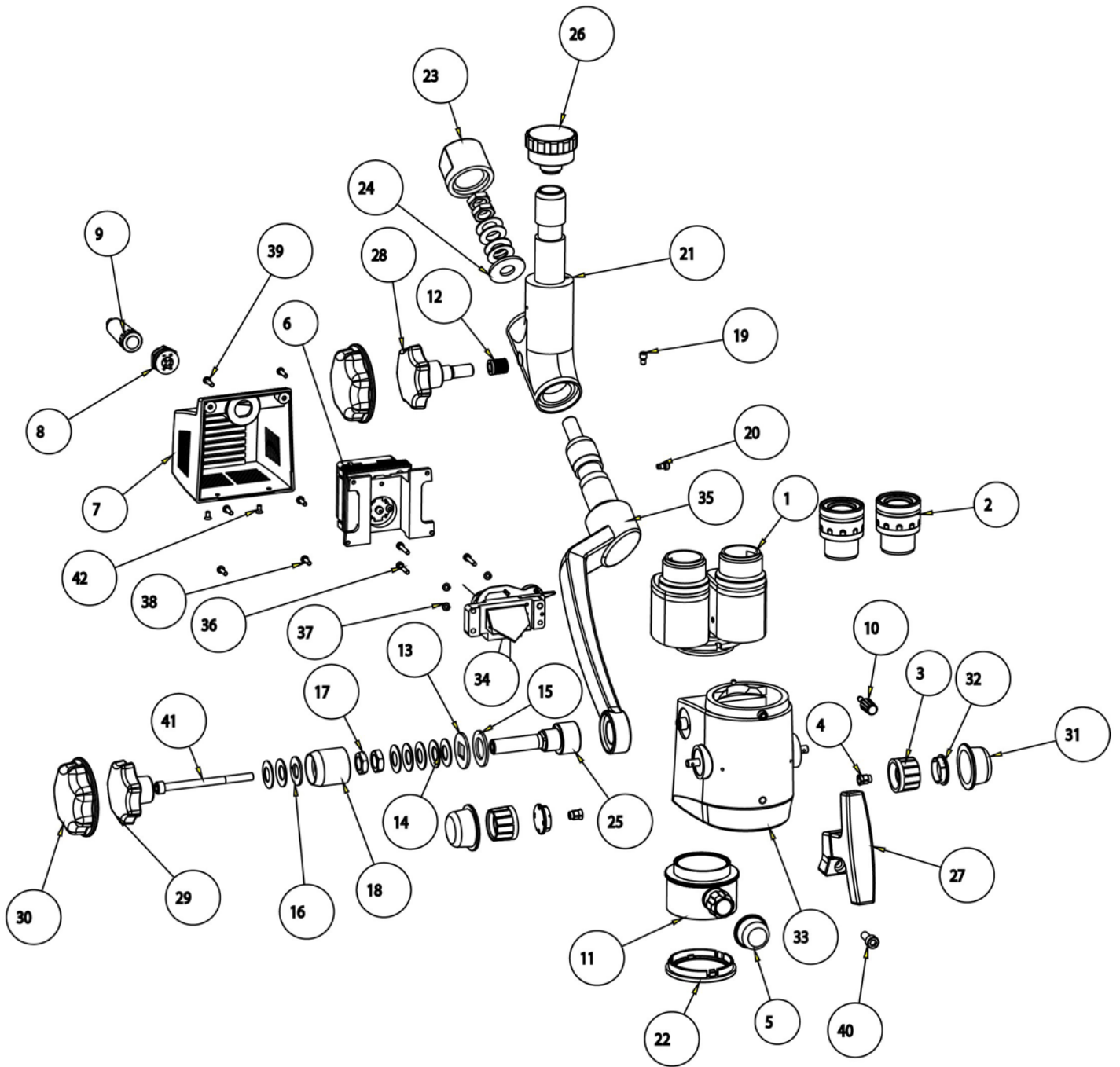
3.0 Suspension Arm Assembly Prima Mu



Suspension Arm Assembly Prima Mu

ITEM	QTY	PART NUMBER	DESCRIPTION
1	1	6122015-210M	SILICON COVER
2	1	6134000-105	SLITTED BUSH
3	1	6134000-106	LEVER
4	1	6134000-107	LEVER MOUNT
5	1	6134000-108	CLAMP CYLINDER
6	1	6134000-110	PIN LEVER DIA 6
7	1	6134000-111	CYLINDER SUPPORT PIN DIA 8
8	1	6134000-112	SPACER
9	1	6134000-113	STOP LIMIT SWITCH
10	3	6134000-114	GROOVED HINGE PIN
11	1	6134000-116	LIMITS SWITCH CLAMP
12	2	6134000-122	CABLE GLAND
13	1	6134000-160	LOCKING PLATE LEVER
14	1	6134000-165	SEAT SCREW
15	1	6134000-255	CYLINDER HINGE PIN
16	1	6134000-261	FLEXIBLE ARM TOP
17	4	6134000-263	SEAT SCREW COVER
18	1	6134000-536	COVER REAR COUPLING
19	1	6134000-537	COVER FRONT COUPLING
20	1	6134000-551	THREADED BUSH M12x14
21	2	6134000-580	CIRCLIP QUICK LOCK BENZING 8 mm
22	2	6134000-584	CIRCLIP QUICK LOCK BENZING 6 mm
23	2	6134000-592	RETAINING RING 10mm
24	1	6134000-109M	GAS CYLINDER (1100 N)
25	1	6134000-914-	LIMIT SWITCH
26	1	6134100-911	2-PIN CONNECTOR
27	1	6165000-336	INSULATION SHEET
28	2	6165000-405	STOPPER SCREW
29	1	6165000-859	SUB ASSEMBLY CLAMP BUSHING
30	1	6166000-812	LOCKING KNOB SUSPENSION ARM
31	1	6167500-205M	WIRE CLAMP
32	1	6210000-101	TENSION ADJUSTING NUT
33	1	6210000-102	SS WASHER
34	2	6210000-114	GROOVED HINGE PIN SMALL
35	1	6210000-136	SS BUSH
36	2	6210000-138	SUPPORTING BUSH
37	1	6210000-143	PACKING POTENTIOMETER KNOB
38	1	6210000-162	FLEXIBLE ARM BOTTOM
39	1	6210000-166	M10x70 ALLEN BOLT
40	1	6210000-204	COVER SUSPENSION ARM
41	3	6210000-205	CABLE CLAMP
42	1	6210000-303	CABLE COVER
43	1	6210000-304	PANNEL PLATE
44	1	6210000-307	BRACKET POTENTIOMETER
45	1	6210000-810	SUB ASSEMBLY REAR COUPLING
46	1	6210000-815	SUB ASSLY POTENTIOMETER KNOB
47	1	6210000-820	SUB ASSLY FRONT COUPLING
48	1	6210000-903	POTENTIOMETER
49	1	8124400-301	TEFLON WASHER
50	2	FS-136	M3x16 SOCKET HEAD CAP SCREW
51	1	SS-125	M3x8 CSK SCREW
52	1	SS-131	M3 X 4 /SKT.SET
53	5	SS-143	SOCKET SET SCREW M4x4
54	2	SS-154	SOCKET FLAT HD SCREW M4x10
55	1	SS-182	M5x12 SOCKET HEAD CAP SCREW
56	2	SS-190	M3x20 PAN HD SCREW
57	3	SS-661	M3 X 12/PH/PAN/DNA
58	8	SS-665	M4x8 PAN HEAD
59	4	SS-668	M2.5x7.0 FLAT HD SCREW
60	2	SS-803	SOCKET HEAD CAP SCREW M5x35
61	1	SS-907	HAX. NUT M10X1.0
62	2	X52222	M3 HEX. NUT
63	2	X54223	SS WASHER ID 4.2xOD 8.6x0.5 THK
64	1	X55991	M3x6.0 SOCKET HD. CAP SCREW

4.0 Inclined coupling & Carrier Assembly Prima Mu



Inclined coupling & Carrier Assembly Prima Mu

ITEM	QTY	PART NUMBER	DESCRIPTION
1	1	6121025	BINOCULAR ASSY, STRAIGHT TUBE
2	2	6128010	EYE PIECE 10X
3	2	612086-457	FOCUSSING KNOB
4	2	612086-459	COLLET FOR KNOB DRUM
5	1	6122015-210	SILICON COVER
6	1	6128000-805	LED ASSLY
7	1	6128000-201M	MAGNICHANGER COVER
8	1	6128000-903F	4 PIN CONNECTOR
9	1	6128000-903M	4-PIN CONNECTOR MALE
10	1	6133000-857	HEAD LOCKING KNOB
11	1	6133250-801	CMO FOCUSSABLE 250
12	1	6134000-551	THREADED BUSH M12x14
13	1	6134010-450	Plain Washer With SQ. Hole
14	11	6134010-451	Disc Spring
15	2	6134010-452	WASHER BRASS
16	1	6134010-453	WASHER SS
17	4	6134010-454	Hex. Nut M12
18	1	6134010-455	WASHER HOUSING
19	1	6134010-464	STOPPER SCREW
20	1	6134010-472	Seat Screw
21	1	6134010-805	SUB ASSLY INCLINED COUPLING
22	1	6156250-801	PROTECTOR LENS ASSLY
23	1	6165000-185	LOCK NUT
24	1	6165000-186	SS WASHER n 31.0
25	1	6165000-846	AXEL ASSLY
26	1	6165000-850	THREADED KNOB
27	1	6165000-863	T-HANDLE
28	1	6167500-806	LOCKING KNOB SWIVEL ARM
29	1	6168000-215	LOCKING KNOB
30	2	6168000-216	COVER LOCKING KNOB
31	2	6168000-219M	SILICON KNOB COVER
32	2	6210000-207	SIDE COVER KNOB
33	1	6210000-801	MAGNICHANGER ASSEMBLY
34	1	6210000-807	FILTER CHANGE ASSLY
35	1	6210000-830	MICROSCOPE CARRIER ARM ASSLY
36	3	FS-136	M3x16 SOCKET HEAD CAP SCREW
37	3	SS-277	SPRING WASHER M3
38	4	SS-660	PAN HEAD SCREW M3x10
39	2	SS-661	M3 X 12/PH/PAN/DNA
40	1	SS-798	SOCKET HEAD CAP SCREW M6x15
41	1	SS-880	ALLEN BOLT M6x90
42	2	X54206	M2.5x5.0 FLAT HD SCREW



Labo America Inc.
920 Auburn Court
Fremont, CA
94538
U.S.A.

Phone: 510-445-1257
Fax: 510-991-9862
Email: sales@laboamerica.com
www.laboamerica.com

EU|REP.

Labomed Europe
Essebaan 50
NL-2908 LK Capelle a/d IJssel
The Netherlands
Tel: +31 (0)10 4584222
Fax: +31 (0)10 4508251
E-mail: info@labomedeuropa.com



LABOTECH MICROSCOPES INDIA Pvt Ltd