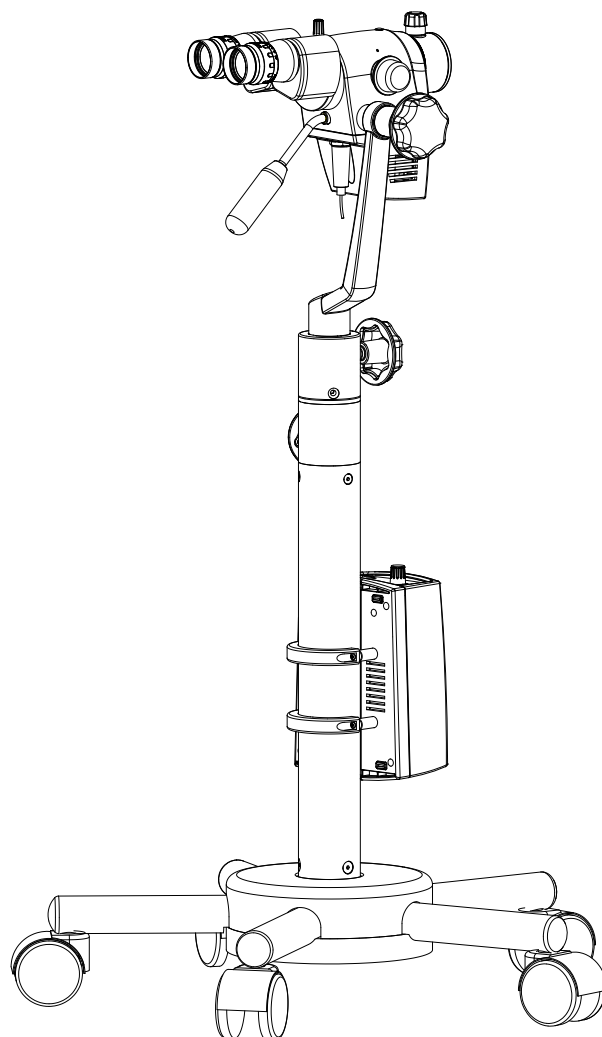


# Prima C Service / Part List Manual

Operating Surgical Microscopy



To ensure proper use of this instrument as well as to avoid injury while operating instrument, understanding this manual completely before use is highly recommended.

Part No: 6128000-793  
Issue: 1.1  
Printed on: June, 2020

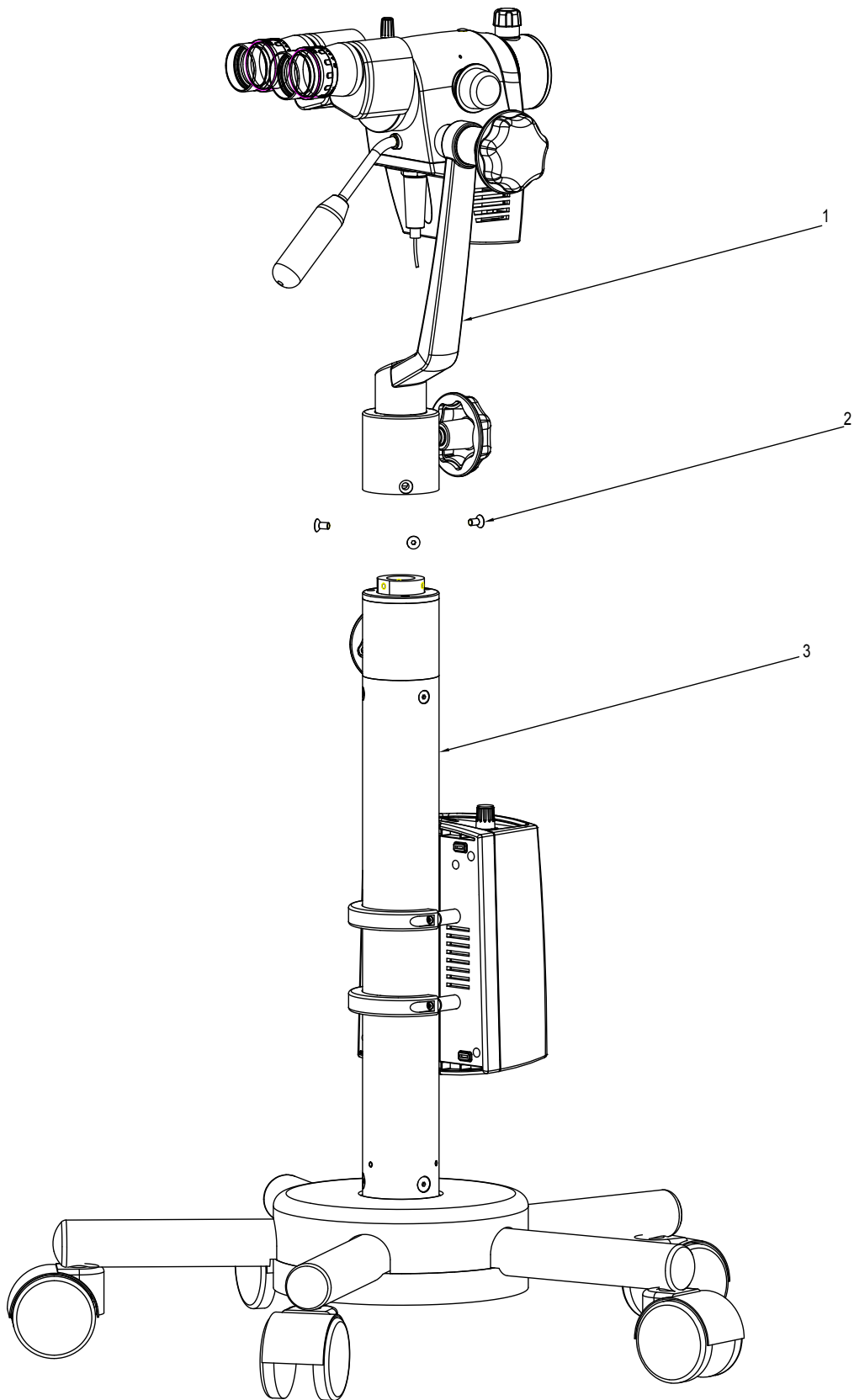
# LABOMED Prima C

## Service / Part List Manual

### Contents

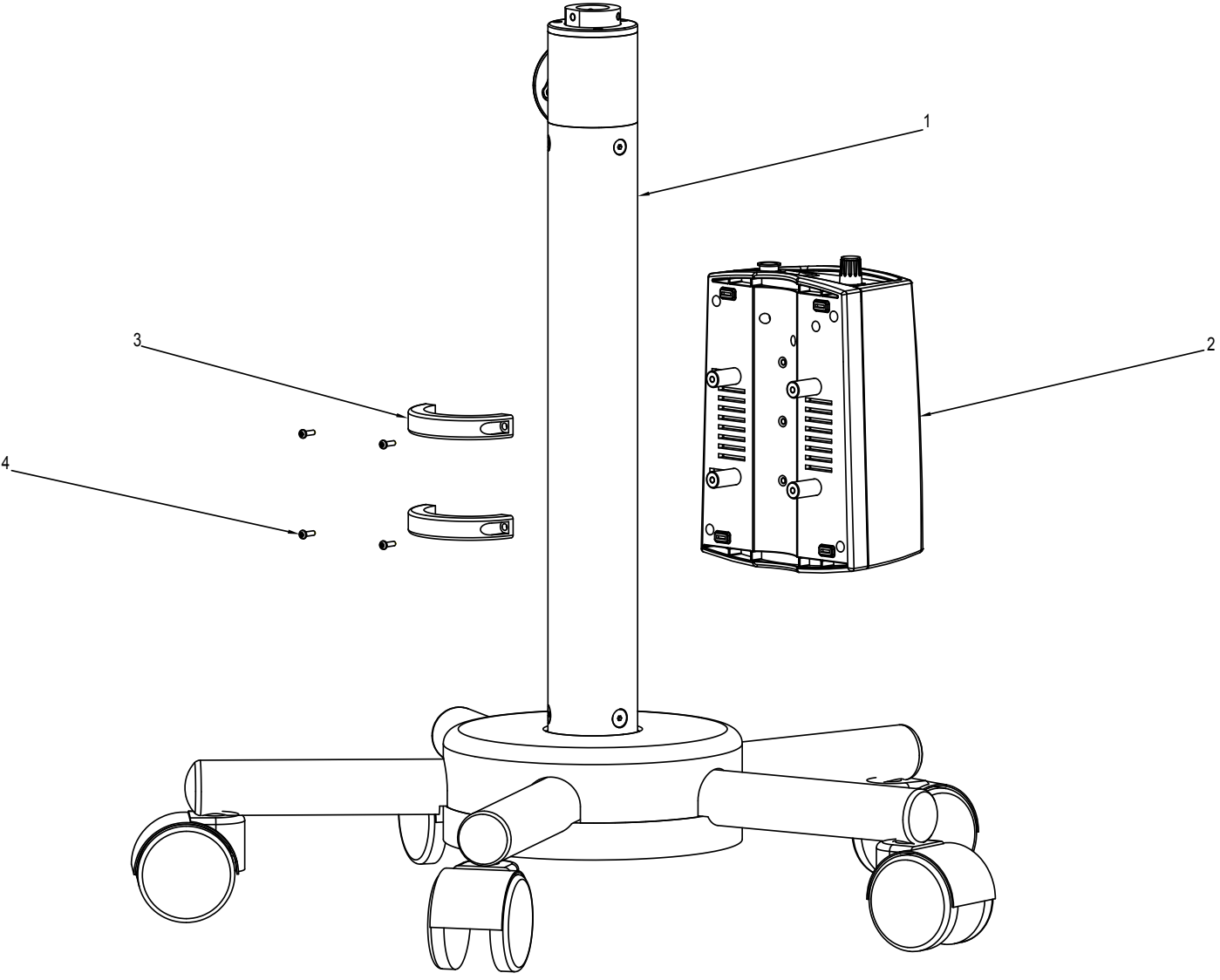
1.0	Stand.....	3
2.0	Base & Column assembly.....	5
3.0	Base Arm assembly.....	7
4.0	Column assembly.....	9
5.0	Power Supply assembly.....	11
6.0	Carrier assembly.....	13
7.0	Microscope assembly.....	15
8.0	Magnichanger assembly.....	17
9.0	Condenser Lens assembly.....	19
10.0	LED and Head assembly.....	21

# 1.0 Stand



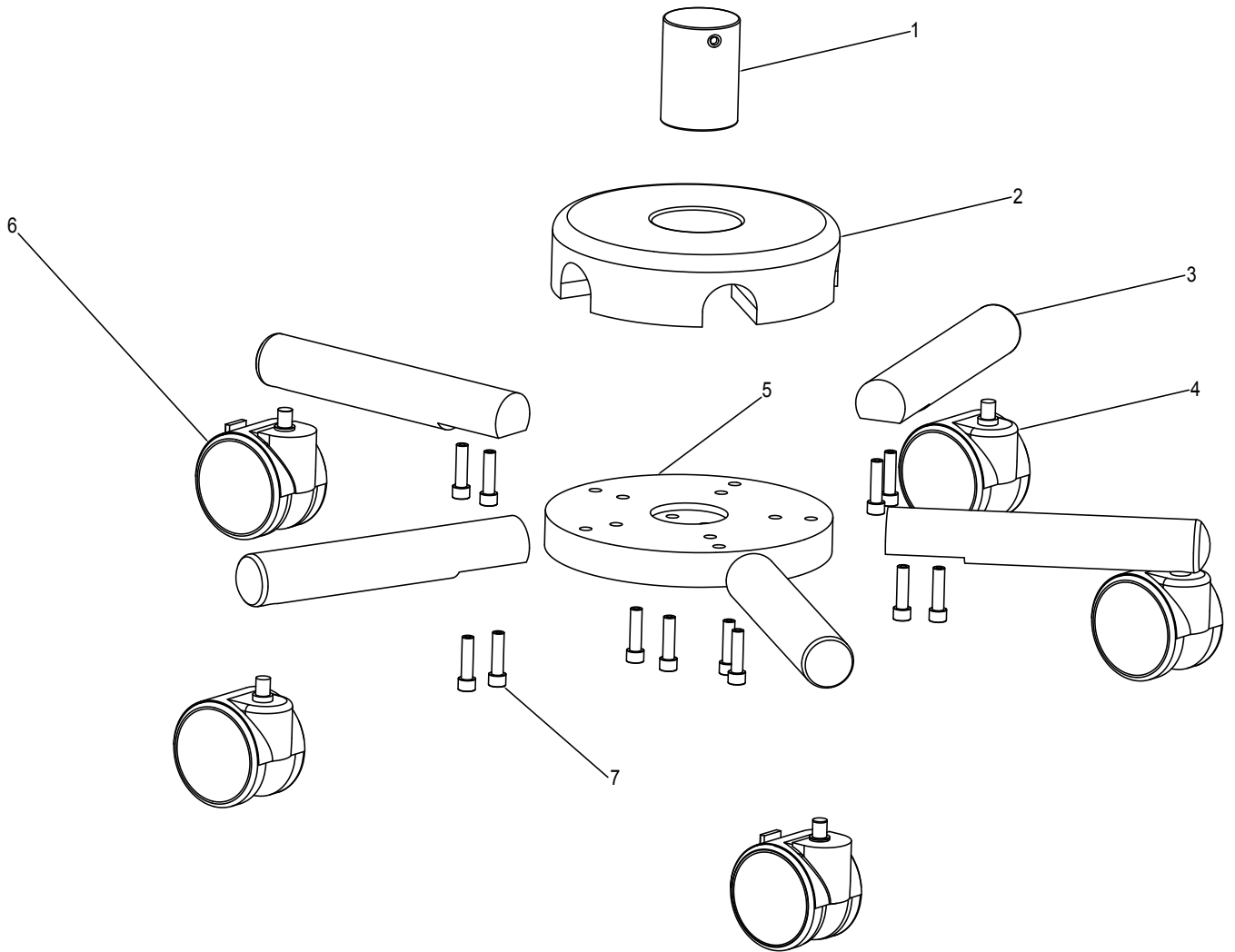
ITEM	PART NUMBER	DESCRIPTION
1	6128000-803	Micro Scope Carrier With Magnichanger, CMO, Inclined Head & Eye Piece
2	SS-800	SKT Head Screw M6x16
3	6128000-804	Star Base Assembly With Column and Power Supply

# 2.0 Base Column Assembly



ITEM	PART NUMBER	DESCRIPTION
1	6128000-822	Star Base Stand
2	6128000-819	Power Supply
3	6128000-142	Clamp Power Supply
4	X54210	Screw Philip Pan Head M3x10

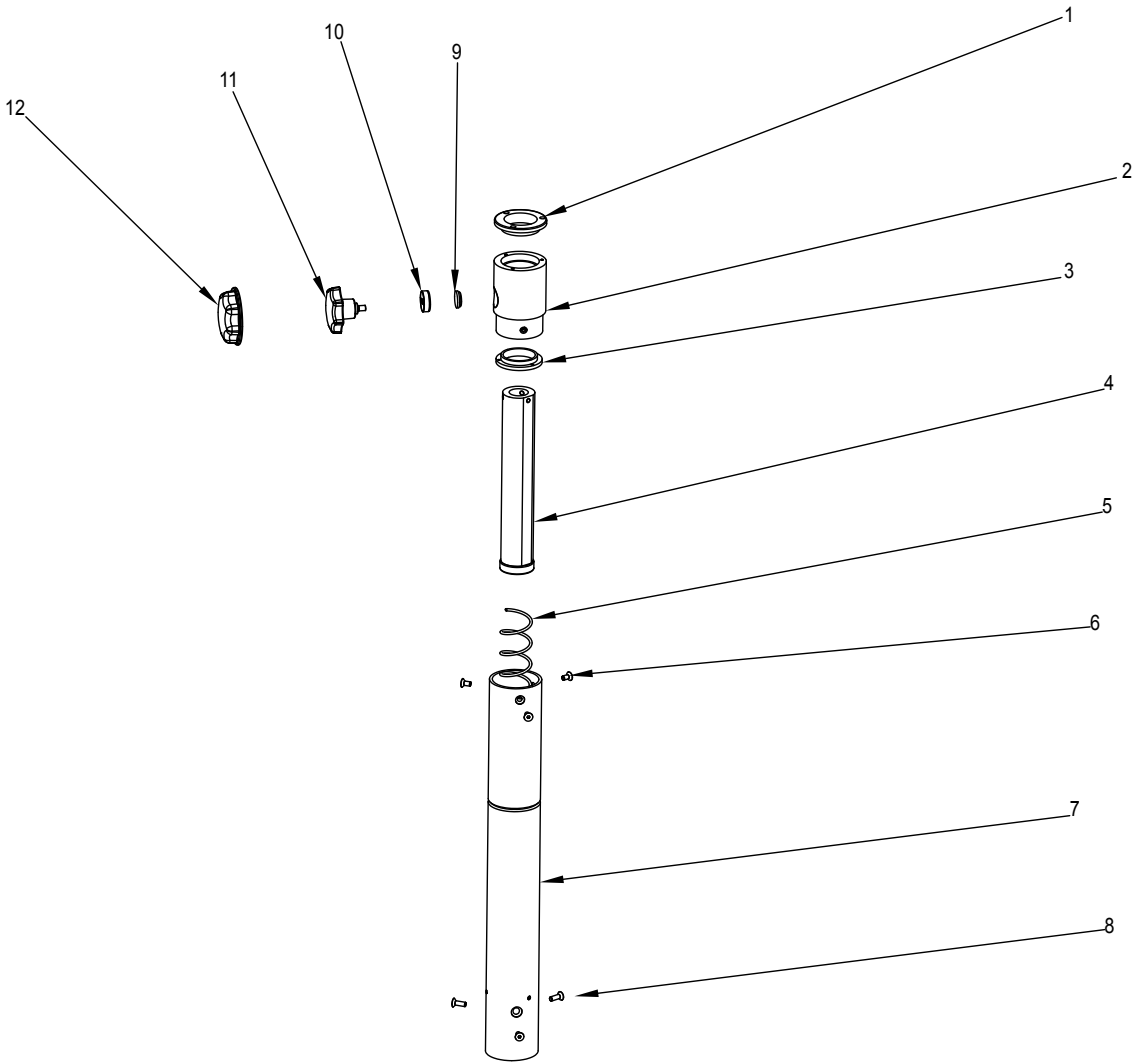
### 3.0 Base Arm Assembly



ITEM	PART NUMBER	DESCRIPTION
1	6168000-142	Guide Plug
2	6168000-139	Base Cover
3	6128100-140	Base Leg
4	6168000-363	Caster Wheel Without Lock
5	6168000-138	Base Plate
6	6168000-364	Caster Wheel Lockable
7	SS-184	SKT Head Cap Screw M8x30

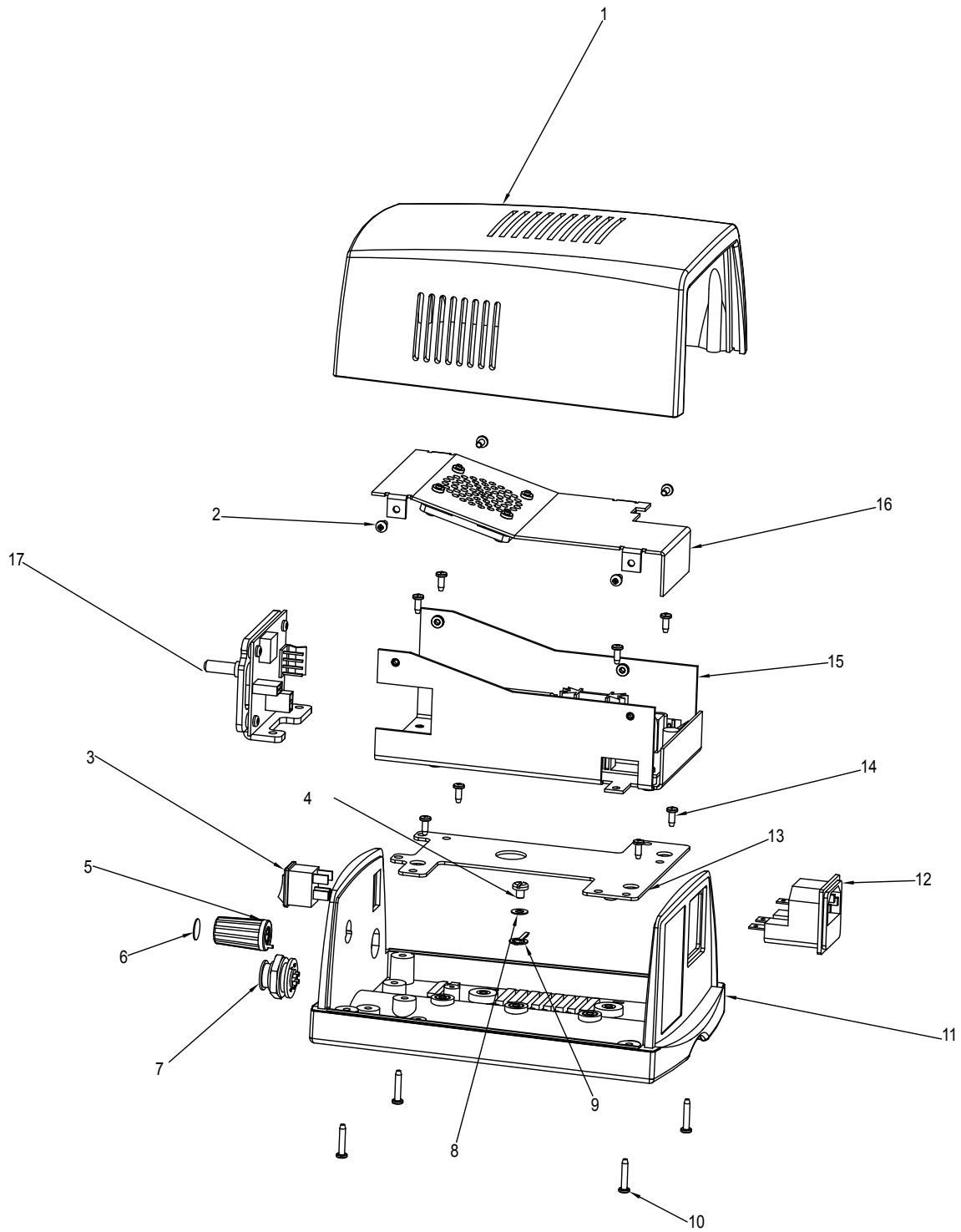


# 4.0 Column Assembly



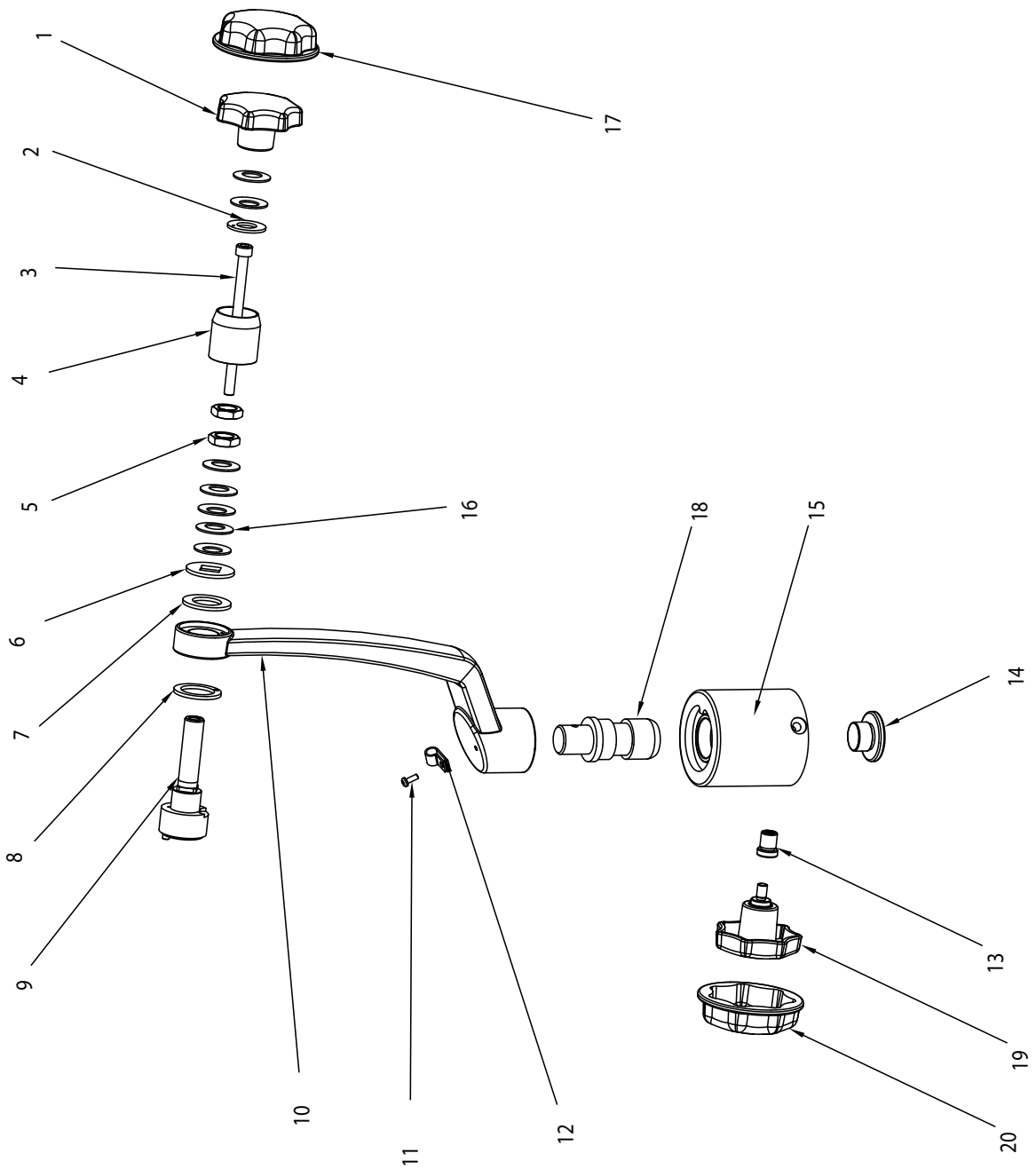
ITEM	PART NUMBER	DESCRIPTION
1	6168000-175	Delrin Bush(Top)
2	6168000-171	Guide Bush
3	6168000-176	Delrin Bush(Bottom)
4	6168000-852	Assy Sliding Column
5	6168000-351	Copression Spring
6	SS-802	SKT Flat Head Screw M6x16
7	6128000-855	Pillar Assy
8	SS - 800	SKT Flat Head Screw M6x16
9	6168000-178	Locking Wedge
10	6168000-174	Threaded Nut M6
11	6168000-854	Locking Knob
12	6168000-216M	Knob Cover

# 5.0 Power Supply Assembly



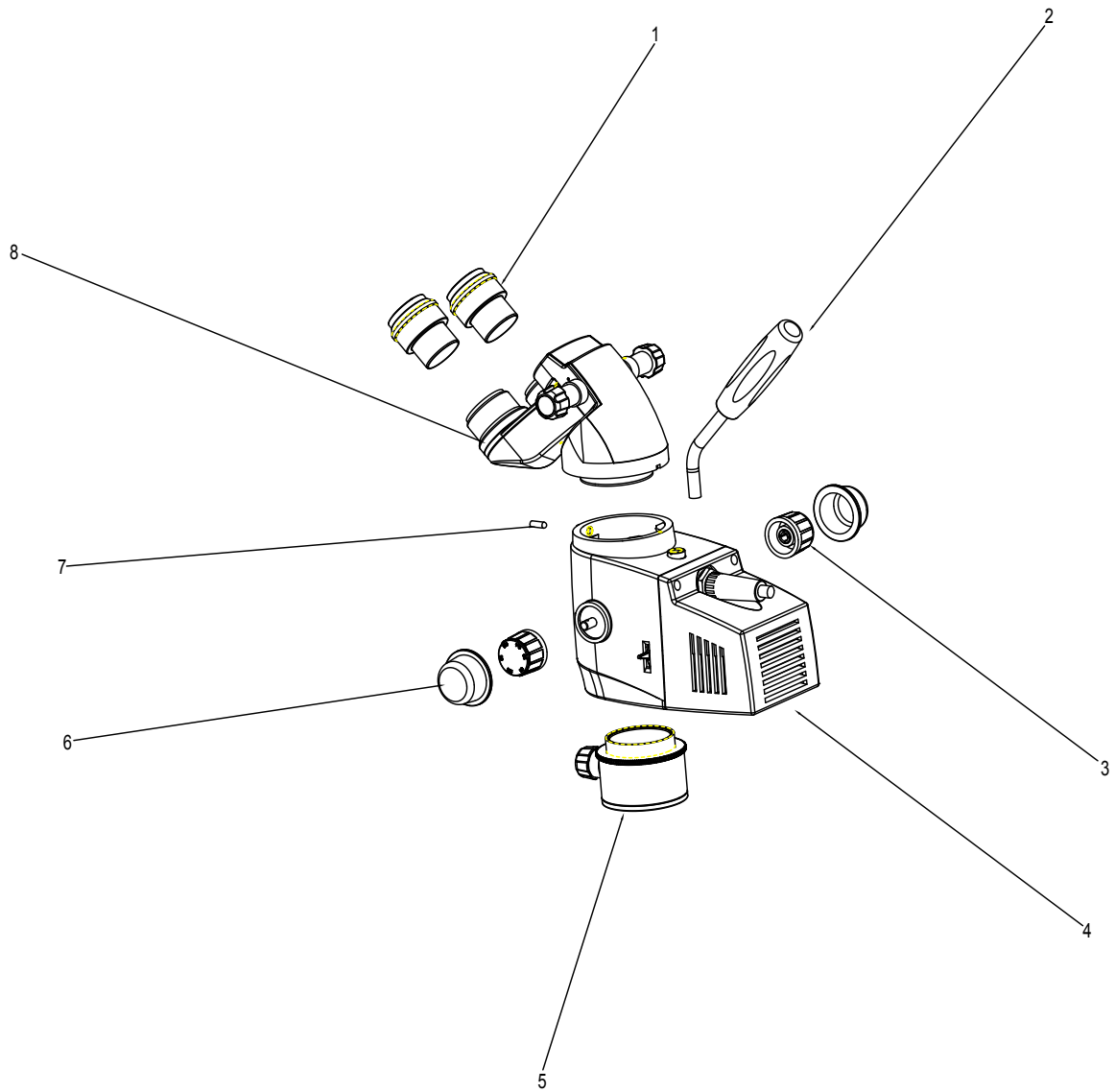
ITEM	PART NUMBER	DESCRIPTION
1	6128000-203M	Cover Power Supply
2	SS-658	Pan Head Screw M3x6
3	8124900-950	On-Off Switch
4	X54192	M4x5 Pan Head Screw
5	6128000-838	Potenticueter Knob Assy
6	6128000-306	Decorative Cover
7	6128000-903F	4-Pin Connector
8	X54223	Plewn Washer 8.6x4.2x0.5
9	WTEL-40011	Earthing Tag
10	X54394	KA 30x16 LPS Screw
11	SS-658	Pan Head Screw M3x6.0
12	8124900-949	InLet Socket
13	6128000-833	Base Plate Assy
14	X54383	KA30x8 Screw
15	6128000-834	Power Supply Housing Bottom
16	6128000-837	Top Cover With Fan
17	8124900-802	Buck Convertor

# 6.0 Carrier Assembly



ITEM	PART NUMBER	DESCRIPTION
1	6168000-215M	Locking Knob
2	6134010-453	Plain Washer
3	SS-880	Allen Bolt M6x90
4	6134010-455	Guide Bush
5	SS-729	Jaw Nut M12
6	6134010-450	Washer With Square Hole
7	6134010-452	Plain Washer
8	6128000-149	Plain Washer
9	6128000-826	Axle Assembly
10	6128100-828	Carrier Assembly
11	SS-659	M3x8 Pan Head Screw
12	6128100-202	Clamp
13	6165000-499	Threaded Bush M10
14	6128000-129	Locking Screw
15	6128000-132	Guide Bush Vertical Shaft
16	6136000-351	Disc Spring
17	6168000-216M	Knob Cover
18	6128000-133	Vertical Shaft
19	6168000-854	Locking Knob Assembly

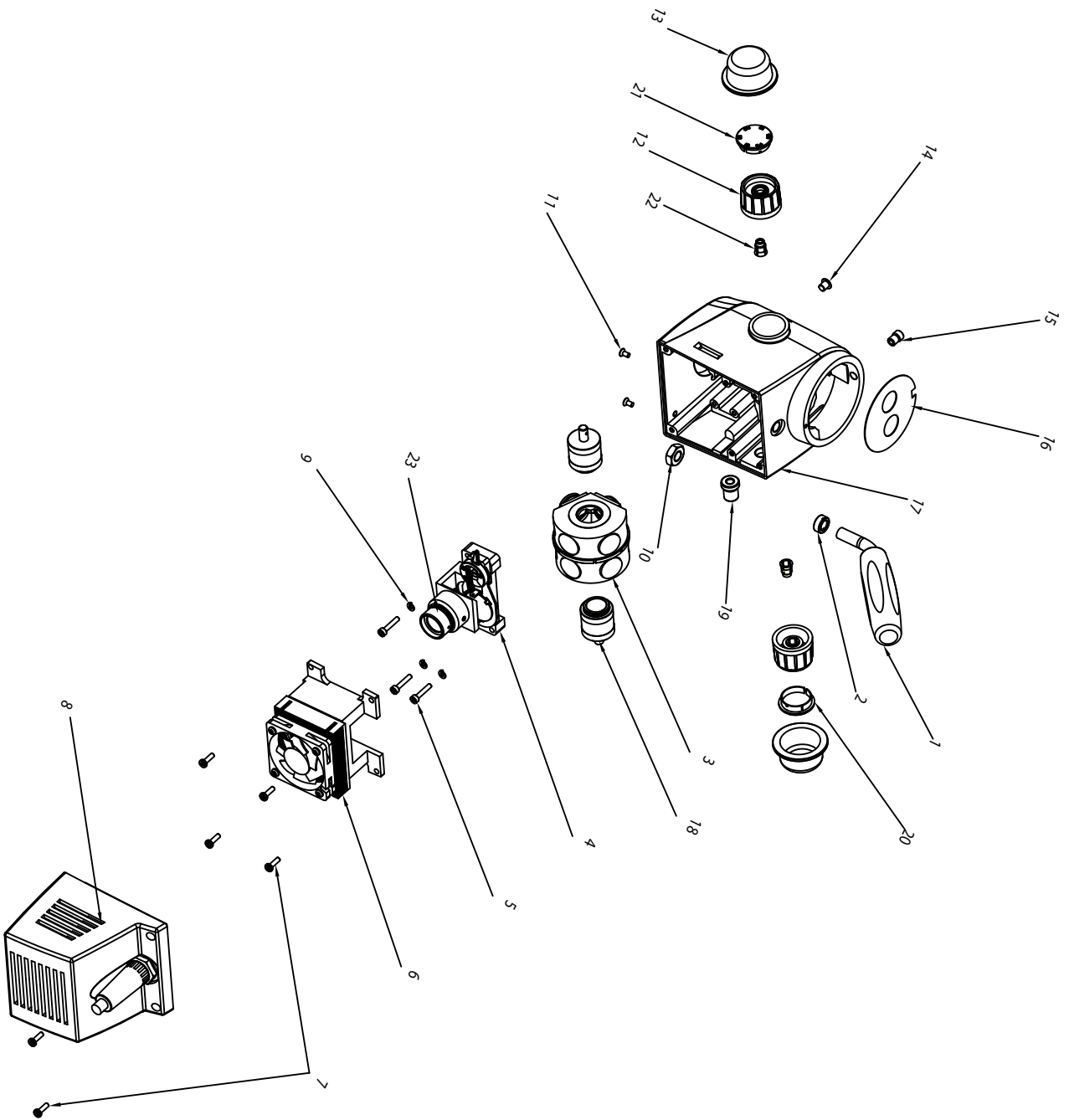
## 7.0 Microscope Assembly



ITEM	PART NUMBER	DESCRIPTION
1	A4140011N	Eye Pc
2	6128000-811	Handle
3	612086-457	Knob Magnichanger
4	6128000-808	Magnichanger Assembly
5	6123200-801	CMO Assembly
6	6168000-219M	Knob Cover
7	6165000-191	Head Locking Screw
8	6121035	Inclined Head

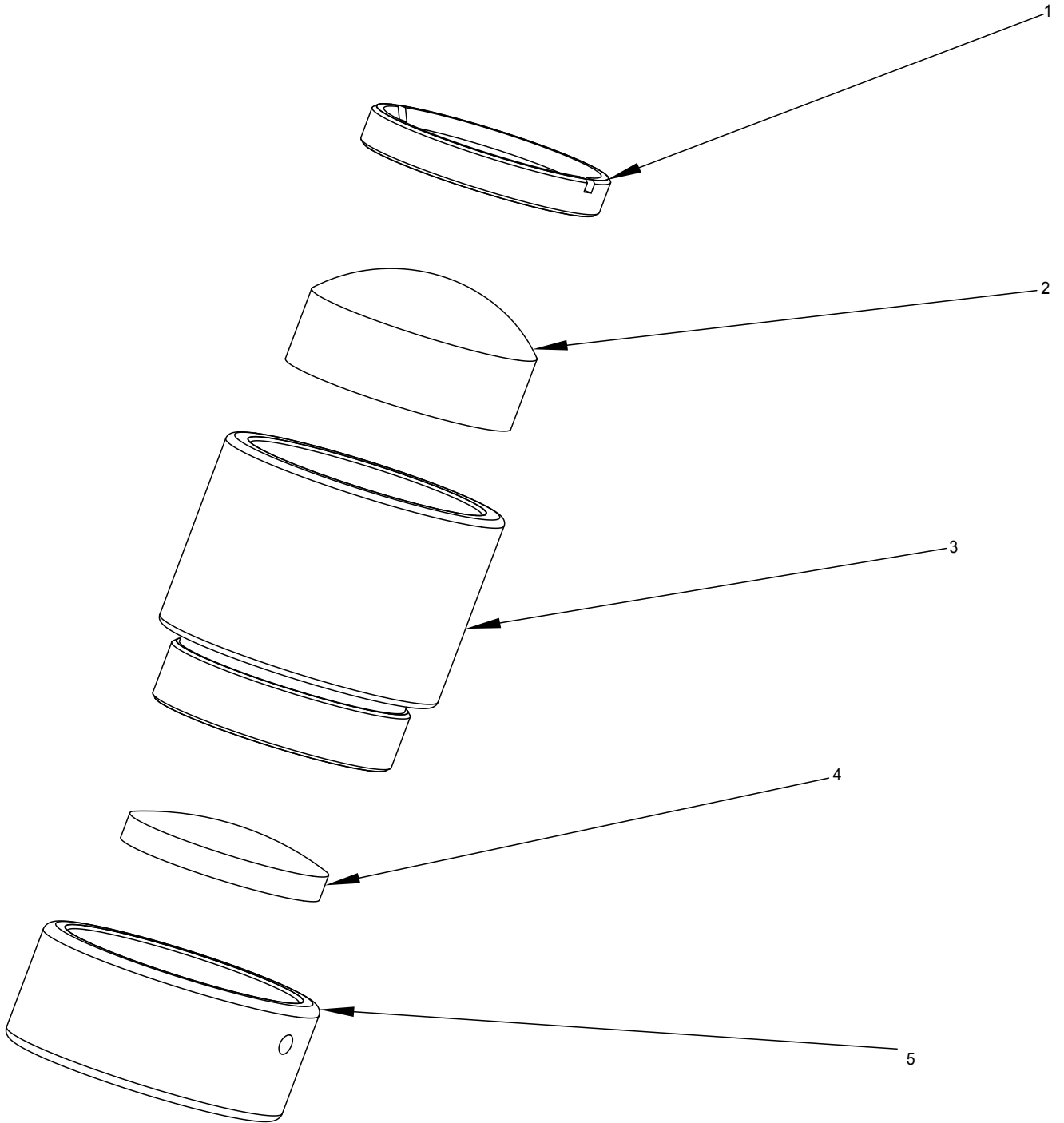


# 8.0 Magnichanger Assembly



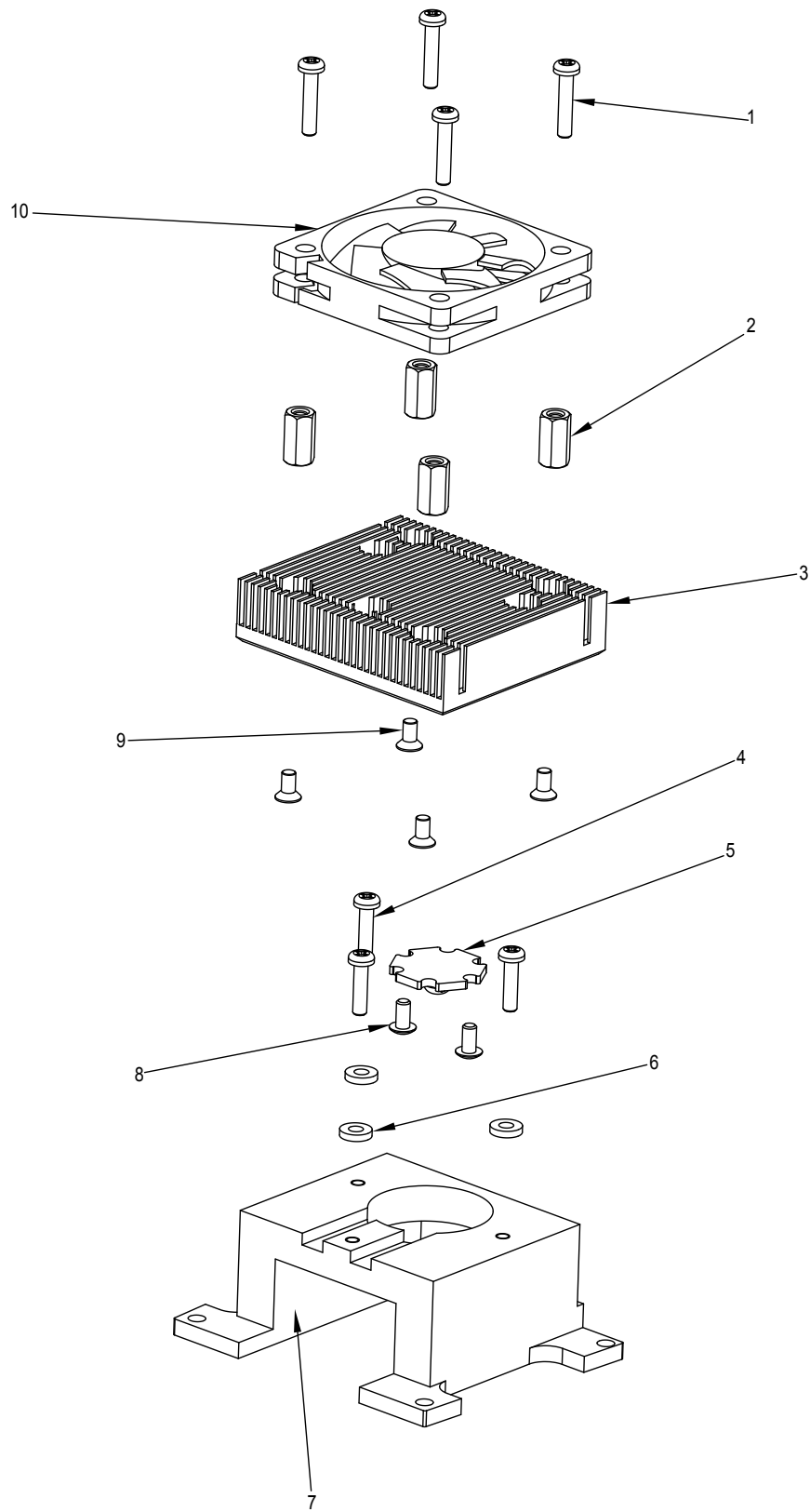
ITEM	PART NUMBER	DESCRIPTION
1	6128000-811	Handle
2	6128000-109	Chuck Nut
3	6133000-820	Optical Drum Assembly
4	6128000-807	Mirror Mount Assembly
5	FS-136	M3x16 SKD HD
6	6128000-805	LED Assembly
7	SS-660	M3x10 PAN HD Screen
8	612086-808	Cover Assembly With Connector
9	SS-277	Spring Washer 3mm
10	SS-139	Hexagonal Nut M8
11	XS4206	M3x6 CSK
12	612086-457	Magnichanger Knob Assy
13	6168000-219M	Silicon Cover
14	6133000-405	Dummy Plug
15	6133000-497	Threaded Bush M6
16	6133000-597	Aperture Plate
17	6128000-501	Magnichanger Housing
18	6133000-404	Drum Support
19	6165000-499	SS Bush M10
20	612086-458	Knob Cover Right
21	612086-458L	Knob Cover Left
22	612086-459	Collet
23	6128000-806	Lens Barrel Assembly

## 9.0 Condenser Lens Assembly



ITEM	PART NUMBER	DESCRIPTION
1	6128000-106	Check Nut
2	6128000-602	LED Illumination Lens-2
3	6128000-104	Lens Barrel
4	6128000-601	LED Illumination Lens-1
5	6128000-105	Threaded Cap

# 10.0 LED And Head Assembly



ITEM	PART NUMBER	DESCRIPTION
1	SS-662	Screw M3x15 Pan HD
2	6128000-111	Stud
3	6128000-102	Heat Sink
4	SS-661	Screw M3x12 PH Pan
5	6128000-905	LED
6	6128000-103	Teflon Washer
7	6128000-101	Bracket Heat Sink
8	X54189	SKT BT HD Screw MSx6.0
9	X54206	M 2.5x5 Flat HD Screw
10	6165000-919	FAN 50x50



**Labo America Inc.**  
920 Auburn Court  
Fremont, CA  
94538  
U.S.A.

Phone: 510-445-1257  
Fax: 510-991-9862  
Email: [sales@laboamerica.com](mailto:sales@laboamerica.com)  
[www.laboamerica.com](http://www.laboamerica.com)



**Labomed Europe**  
Essebaan 50  
NL-2908 LK Capelle a/d IJssel  
The Netherlands  
Tel: +31 (0)10 4584222  
Fax: +31 (0)10 4508251  
E-mail: [info@labomedeuropa.com](mailto:info@labomedeuropa.com)



DQS Inc.  
Labo America Inc.  
Registered to ISO 9001:2015  
BR Number 10005565

A16372



ISO 13485:2016

LABOTECH MICROSCOPES INDIA Pvt Ltd