

LABOMED[®]
ideas for vision



PRIMA
swift

ENT
MICROSCOPE

HIGH PERFORMANCE, AFFORDABLE PRECISION - BROUGHT TO YOUR CLINIC



The PRIMA swift microscope is designed to delight ENT clinicians and surgeons with immaculate optical clarity, fluid and precise maneuverability, all in a streamlined and sleek design that intends to accent any environment.

A powerful 27 W LED illumination system delivers over 100,000 Lux at a true-to-daylight color temperature, resulting in bright, homogenous and natural illumination that will enable the most accurate diagnostic and surgical view. A host of accessories from our ProLine make the PRIMA swift modular on day one, allowing your clinic to either load-up or phase-in functionality at a schedule that best suits your budget.

EMPOWERING DOCTORS WITH VISION EXCELLENCE

With advancements in ENT, more procedures are performed in office and ambulatory centre environments that make it necessary for microscopes to be not just performance-driven but also versatile through modularity. PRIMA swift provides optical clarity and fluid movements for precise, comfortable use by ENT physicians and surgeons. Achieve precision and high performance with PRIMA swift's advanced optics and LED illumination, designed for comfort and efficiency in ear, nose and throat examinations.



Adaptability

Discover unmatched versatility with PRIMA swift. Its adaptable optics and fluid arm movement guarantee precision during diagnostic procedures, while surgical tasks become effortless. Whether conducting in-depth examinations or surgeries, the microscope's precise illumination and ergonomic design empower you to consistently deliver the highest level of care in the specialized field of otolaryngology, setting new standards in patient treatment and outcomes.



Superb Optics

Enjoy exceptional visual clarity and eye relief with the Labomed PRIMA swift ENT microscope. Apochromatic optical design comes together with superior coatings to deliver high anti-glare, scratch resistant optics that will stand the test of time. A fluidly adjustable magnification changer will deliver a range of magnification settings that can be adjusted with the help of readily available optical accessories. Plus, with the best glass in the world, PRIMA swift delivers more light to where it counts most – your ear, nose and throat.



Brilliant Illumination

Bright and homogenous illumination is delivered thanks to an integrated 27 W LED illumination system. Meticulous attention was paid to the optical coupling design to minimize light-loss internally. High caliber glass inputs, together with an exacting design standard allow the PRIMA swift to deliver supreme efficiency - 100,000 Lux with very low power consumption with a 50,000 hour diode life expectancy. Light is delivered coaxially for shadow-free imaging. With precise color temperature control, anatomy is illuminated true to nature.



ELEVATING PRECISION, ENHANCING CARE

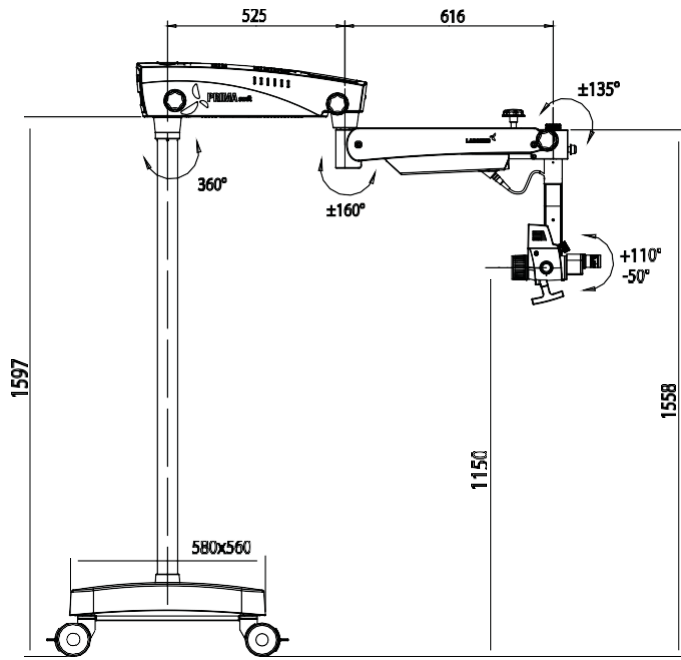
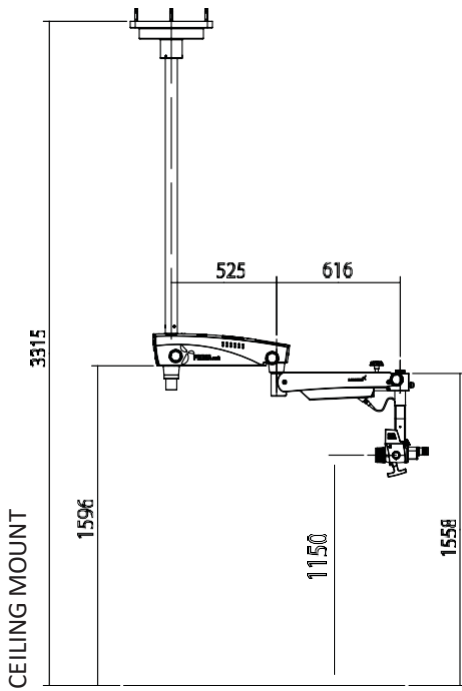


PRIMA swift is your gateway to a new era of excellence in ear, nose and throat examinations. With state-of-the-art apochromatic optics and whisper-quiet LED illumination, we prioritize precision, comfort and efficiency. Our meticulous design ensures your focus remains where it matters most – on delivering superior care to your patients. Trust in PRIMA swift to provide optical clarity, fluid movements and reliability. Elevate your practice and enhance your patient care experience with a microscope that truly understands the demands of the ENT field. Choose PRIMA swift and embrace a future of unparalleled precision and care.

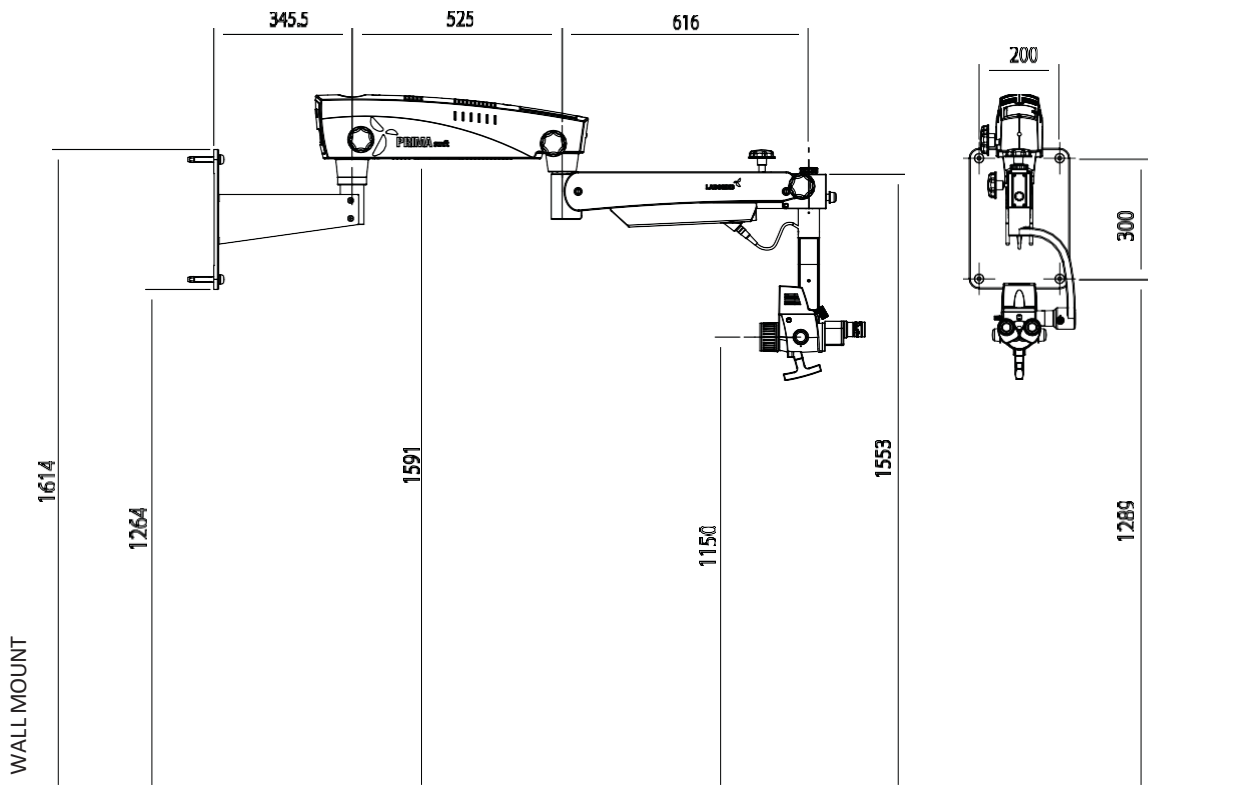
SPECIFICATIONS

Observation Tubes	90° straight binocular tube
IPD	49-78 mm
Eyepieces	Standard: WF 10x/18mm with lockable eyeguards Optional: WF 12.5x/18mm with lockable eyeguards
Dioptre adjustment	± 7
Magnichanger	Apochromatic 5 step: 0.4x, 0.6x, 1.0x, 1.6x and 2.5x MaxLite coated
Objective	Standard: f 250 mm focusable Optional: f 300 mm, f 400 mm <i>NuVar™</i> 7: f 290-360 mm WD: 200-270 mm focusable <i>NuVar™</i> 10: f 300-400 mm WD: 220-320 mm focusable
FOV	10.6-66.2 mm
Fine Focus	Manual, through objective adjustment knob
Light Source	27 W LED, 100-240 V
Lux	100 K
Maximum Wattage	60 W
Built-in Filters	Green and yellow
Microscope Carriers	Vertical carrier
Optional Accessories	Double beam splitter, rotoplate, double iris, ProLine range of camera adapters and smartphone adapters





FLOOR MOUNT



WALL MOUNT

DESCRIPTION
 PRIMA swift
 PRIMA swift
 PRIMA swift

CONFIGURATION
 Floor Mount
 Wall Mount
 Ceiling Mount

CATALOG NO
 6182501
 6182502
 6182503



Labomed Europe b.v.
 Essebaan 50
 2908 LK Capelle aan den IJssel
 Netherlands
 Tel: +31 (0)10 45 842 22
 E- mail: sales@labomedeuropa.com
www.labomedeuropa.com

