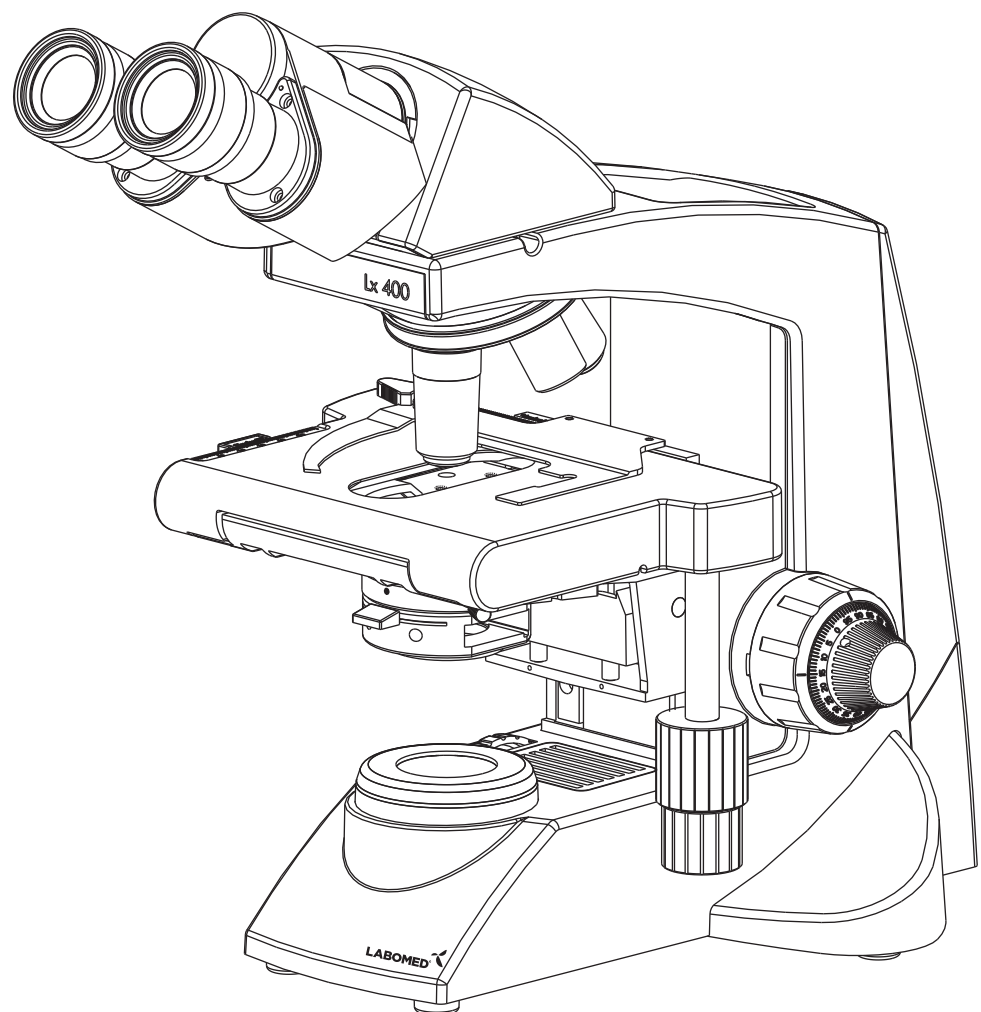


# Lx 400 Research Microscopy

## User Manual



To ensure proper use of this instrument as well as to avoid injury while operating Instrument, understanding this manual completely before use is highly recommended.

Part No: 9126000-795  
Issue 1.5  
Printed on April, 2019



# TABLE OF CONTENTS

<b>1. INTRODUCTION</b>	<b>1</b>
<b>2. SAFETY INFORMATION</b>	<b>2-4</b>
<b>3. Lx 400 BINOCULAR</b>	<b>5</b>
<b>4. Lx 400 TRINOCULAR</b>	<b>6</b>
<b>5. UNPACKING YOUR MICROSCOPE</b>	<b>7</b>
<b>6. STANDARD COMPONENTS</b>	<b>8</b>
<b>7. OPTIONAL ACCESSORIES</b>	<b>9-11</b>
<b>8. INITIAL SETUP</b>	<b>12</b>
<b>9. ASSEMBLY</b>	<b>13-14</b>
<b>10. SUMMARY OF BRIGHT FIELD OBSERVATION PROCEDURE</b>	<b>15</b>
<b>11. DETAILED OBSERVATION PROCEDURE</b>	<b>16-20</b>
<b>12. CLEANING &amp; SERVICING</b>	<b>21-22</b>
<b>13. DISPOSAL</b>	<b>23</b>
<b>14. TROUBLESHOOTING GUIDE</b>	<b>24-25</b>
<b>15. SPECIFICATIONS</b>	<b>26</b>
<b>16. DIMENSIONS</b>	<b>27</b>

The Lx 400 is a research microscope reflecting a modern design as well as the latest in optical and mechanical advancements. Designed for professionals as well as clinicians, this microscope offers many features and functions for a diverse of applications. Here are a few points highlighting the benefits of the Lx400:

- Extra clarity and contrast is provided through a 360° rotatable Binocular body inclined at 30° with IPD adjustments.
- The pressure die cast stand consists of ball bearing, frictionless sideways focusing to avoid any loss in motion.
- The sturdy new stylish design provides a high degree of comfort as well as stability.
- The high powered objectives are spring loaded to prevent accidental damage to specimen slides.
- The reverse angle quadruple nose piece has a comfortable ribbed grip for easy rotation that also safe -guards the turret system against any damage. All positions are par-centered and par-ensuring the highest level of accuracy.
- The ball bearing mechanical stage allows smooth travel over a 78 x 54mm area with spring loaded stage clamps for retaining the specimen at the exact position desired. A 0.1mm verier scale provides accurate location of specimen area.
- High power illumination is delivered through our well crafted Universal Power Supply and operates with any 100V-240V AC input. The LED configuration is operational with an in-built rechargeable battery P/N 9135000-902, Which when plugged in, draws power from a Universal Power Supply operating at 100V-240 AC input. This ensures continuous operation even under fluctuation voltages.
- Our Halogen bulb (6V-20W) has an average life span of upto 2,000 hours. Our LED has an average life span of upto 100,000 hours.
- The Lx 400 comes equipped with a removable N.A. 1.25 Abbe condenser with spheric lens for brighter Illumination levels, and an diaphragm for better resolution and contrast control.



## 2 SAFETY INFORMATION

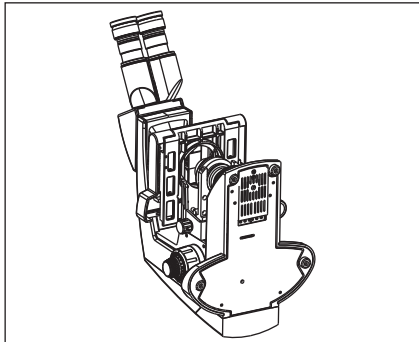


Fig. 1

1. After the microscope has been used for observation of a specimen containing bacteria, clean all parts coming in contact with the specimen to prevent infection.
  - Be sure to remove the specimen before moving this product.
  - In case the specimen is damaged by erroneous operation, it is important to clean all surfaces that may have come in contact with the specimen.
2. To avoid potential electrical hazards when replacing either halogen bulb or LED, turn the microscope main switch to the OFF position and disconnect power cord from wall outlet in advance. Whenever you replace your microscope bulb, allow lamp socket and bulb to cool before touching (Fig.1)

**Applicable bulb/LED replacement: 6V20W Halogen bulb P/N CX-013; 6V30W Halogen bulb P/N EL-455 or LED P/N 9135000-901**

3. Install microscope on a sturdy, level table or bench and avoid any restriction of air vents in the base of the unit.  
Do not place microscope on a flexible surface, as this could result in blocking the air vents and cause overheating.
4. Always use the power cord provided by LABOMED. If the proper power cord is not used, product safety performance cannot be warranted.
5. When installing the microscope, route the power cord away from the microscope frame. Should the power cord come in contact with the microscopes base, the power cord could melt due to overexposure to heat.
6. Always ensure that the grounding terminal of the microscope and that of the wall outlet are properly connected. If the unit is not grounded, LABOMED can not warrant electrical safety.
7. Never allow metallic objects to penetrate the air vents of the microscope frame as this could result in user injury and damage to the microscope.
8. After operation of microscope, be sure to disconnect power cord from connector socket of the microscope or from the wall power outlet.

### SAFETY SYMBOLS

The following symbols are found on the microscope. For optimal use, it is recommended that users Understand these symbols and always use the equipment as prescribed.

Symbol	Explanation
	This surface has a tendency to heat up and should not be touched unless System has completely cooled down.
	Before use, carefully read the instruction manual. Improper use could result in Injury to the user and/or damage to the equipment.
	Warning against risk of electric shock.
	Main switch is ON.
	Main switch is OFF

## Caution

If the microscope is used in a manner not specified by this manual, the safety of the user may not be warranted. In addition, the equipment may also suffer damage. Always use the equipment as outlined in this instruction manual.

## 1 GETTING STARTED

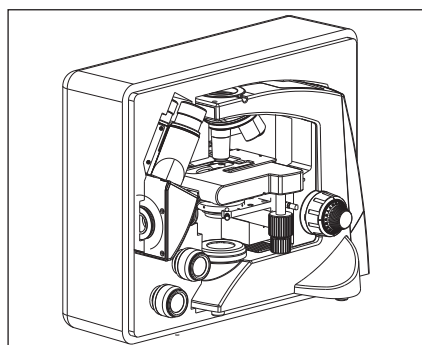


Fig. 2

1. A microscope is a precision instrument with delicate glass components. Please handle with care.
2. Do not use the microscope where it is subjected to direct sunlight, high temperature, humidity, dust and vibrations. ( For the operating conditions, see chapter 14. "SPECIFICATIONS")
3. The microscope is ventilated by natural convection. Be sure to leave enough space (10cm or more) around body when installing the unit.
4. Arm handle is provided for carrying the microscope.  
**To prevent damage, do not hold the microscope by the stage or observation tube.**  
**Be sure to remove the specimen from the stage clip while transporting unit to avoid damage of the specimen slide.**

## 2 MAINTENANCE AND STORAGE

1. Clean all glass components by wiping gently with cleaning cloth provided. To remove fingerprints or oil smudges, wipe with cleaning cloth slightly moistened with a mixture of petroleum (85%) and isopropanol (15%).

**Since solvents such as petroleum and isopropanol are highly flammable, they must be handled carefully. Be sure to keep these chemicals away from open flames or potential Sources of electrical sparks - For Example, electrical equipment that is being switched "ON" or "OFF". Also remember to always use these chemicals only in a well-ventilated room.**

2. Do not attempt to use organic solvents to clean the microscope components other than the glass components. To clean non-glass components, use a lint-free, soft cloth slightly moistened with a diluted neutral detergent.
3. Do not disassemble any part of the microscope as this could result in malfunction or mitigated performance.

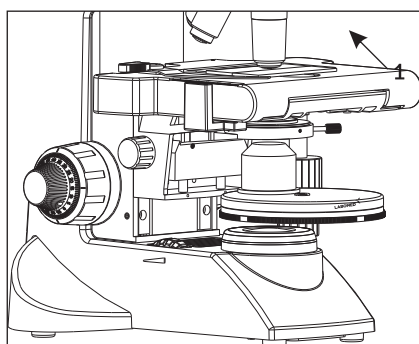


Fig. 3

4. When not using the microscope, ensure that the frame is fully cooled before storing the unit in a dry locker or covering with a dust cover (provided).
5. To clean the condenser/phase turret, fully loosen the securing thumb screw (1) and remove the condenser then, wipe the front lens of the condenser with optical cleaning solution (mixture suggested above) and lens tissue.  
 The condenser can be re-attached by replacing the condenser in its seat, tightening securing thumb screw, and raising condenser bracket to desired position.
6. Be sure to observe your local rules/regulation for product disposal.

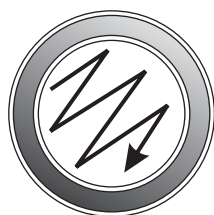
### 3 CARE & MAINTENANCE

Your microscope had been engineered for a long and safe operational life with the least amount of maintenance required. In general, routine maintenance is limited to keeping the microscope working parts lubricated and optics clean. Always cover the microscope with the provided dust cover when not in use.

#### Optical Cleaning

1. The objective have been adjusted for a tight fit to prevent any damage during transportation. To remove an objective, rotate it counterclockwise while gripping it with a rubber sheet, etc. to avoid any slip page.
2. To clean the lens surfaces, remove dust using a soft brush or gauze (compressed air dust cans are ideal). For removing finger marks or grease, soft cotton cloth or lens tissue lightly moistened with cleaning solution ( 85% petroleum ether and 15% isopeopanol) should be used. For cleaning the optics, use Meathanol. Observe sufficient caution in handling Methanol. Place the Objective and/ or eyepieces on a dust free surfaces (e.g. aluminum foil). All other optical components to be cleaned should be as accessible as possible.
3. Blow all loose dust particles away with a dust blower.
4. Remove all water-soluble dirt with distilled water. If this is unsuccessful repeat using a solution of diluted hand soap liquid. Remove any remaining residue with a dry cotton swab.
5. To remove oil, use a solution of diluted hand-soap liquid initially. If this does not produce a satisfactory result, repeat the cleaning using a solvent (Optical Cleaning Solution 85% petroleum ether and 15% isopropanol).
6. Grease must always be removed using a solvent.
7. Cleaning is achieved by using a spiral motion from the center to the rim. Never wipe using zig-zag movements as this will only spread the dirt. With larger optical surfaces (e.g. tube lenses) the spiral motion starts initially at the rim before to the middle and is only then followed by a center to rim cleaning motion. Normally several spiral wipes are recommended.

We recommend pure, volatile petroleum ether or Optical Cleaning Solution as explained in point 3 above.



Zig-zag motion (X)

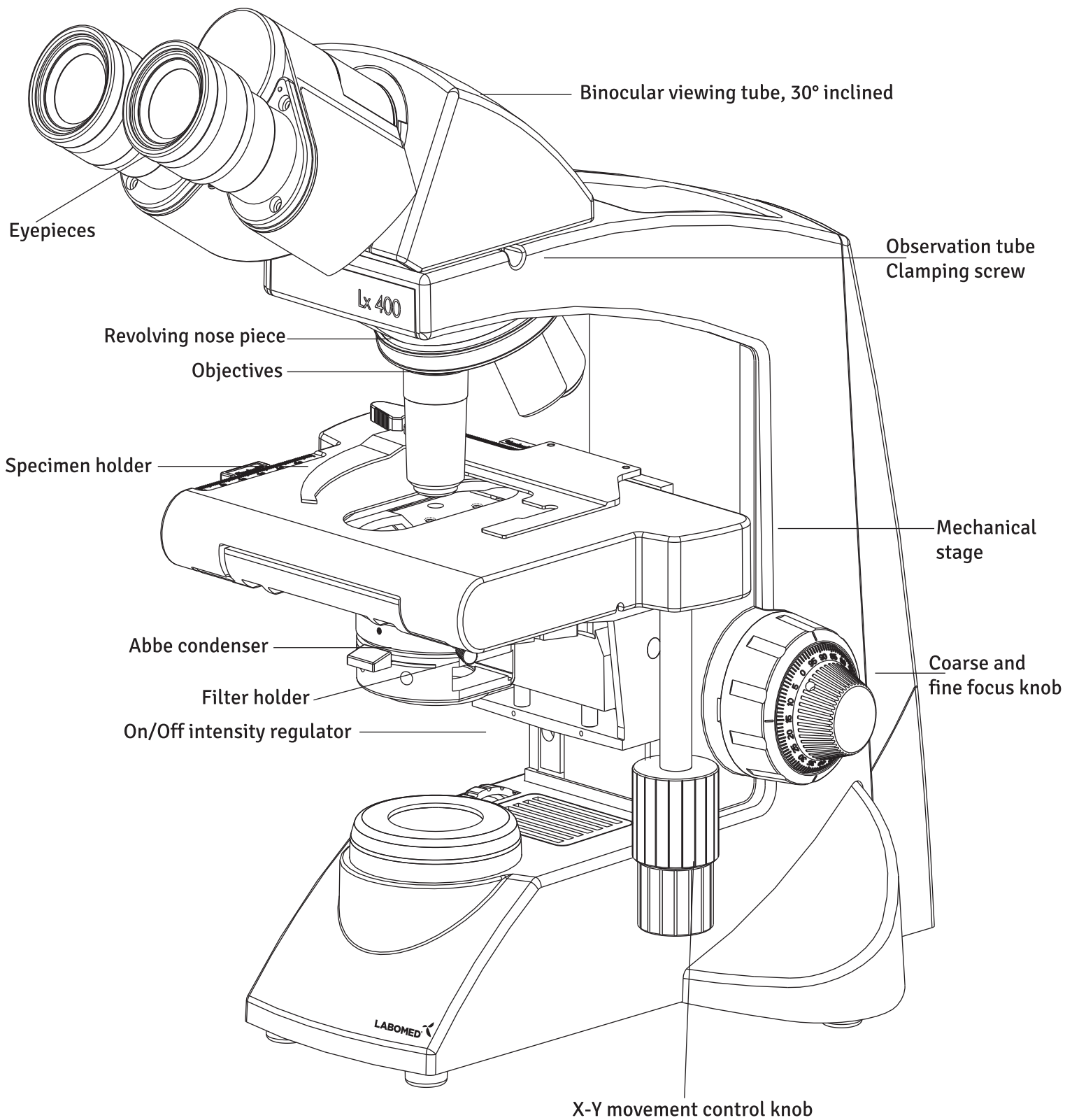


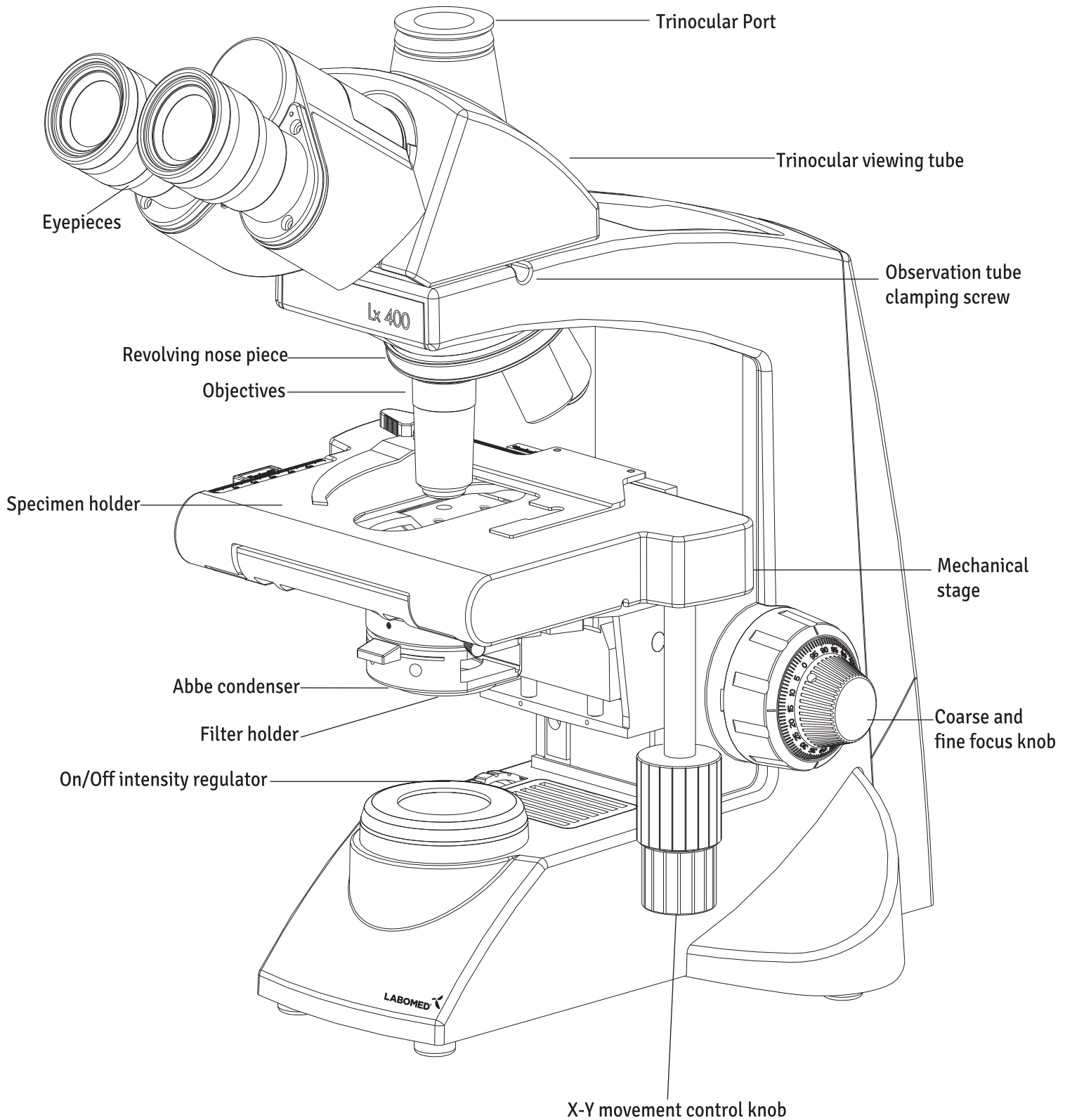
Spiral motion (✓)

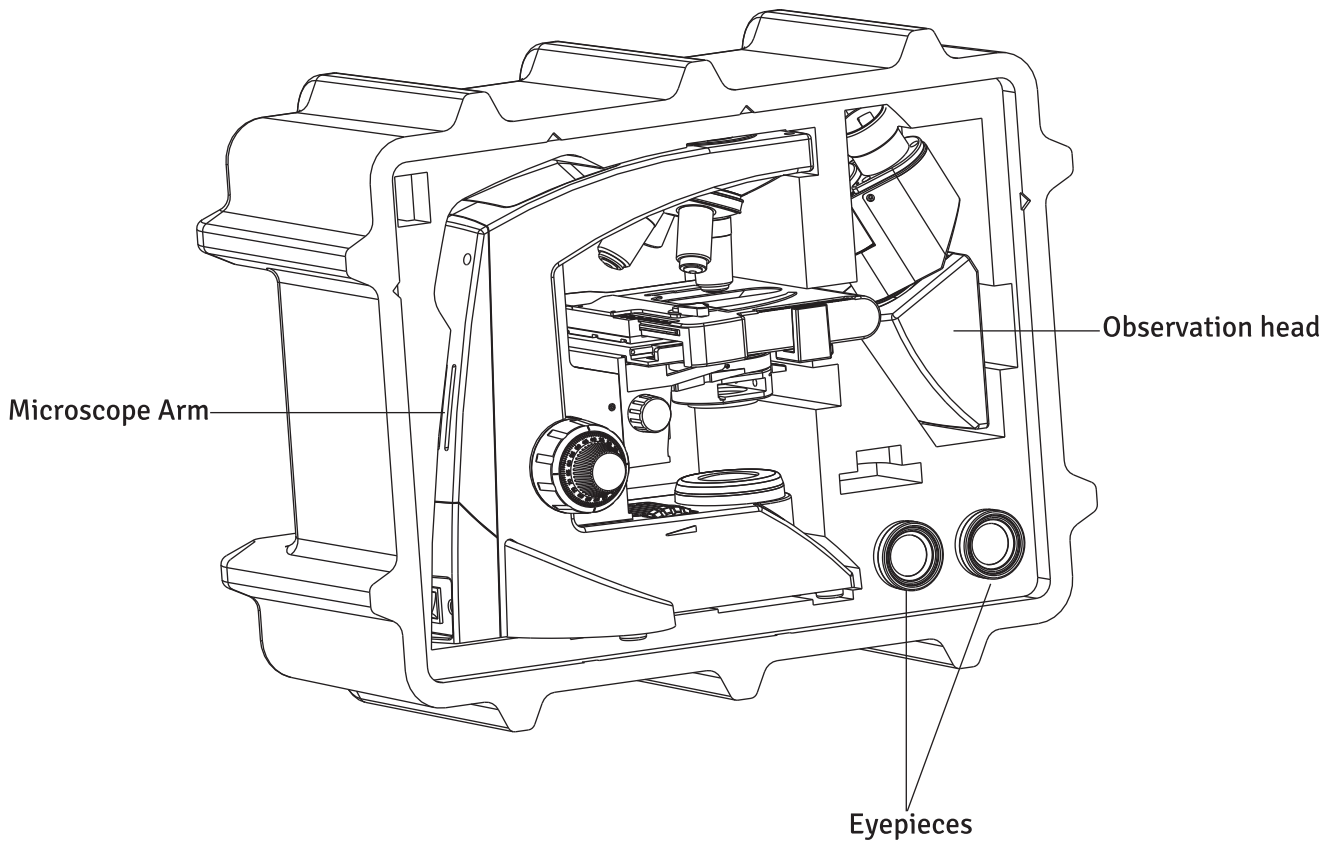
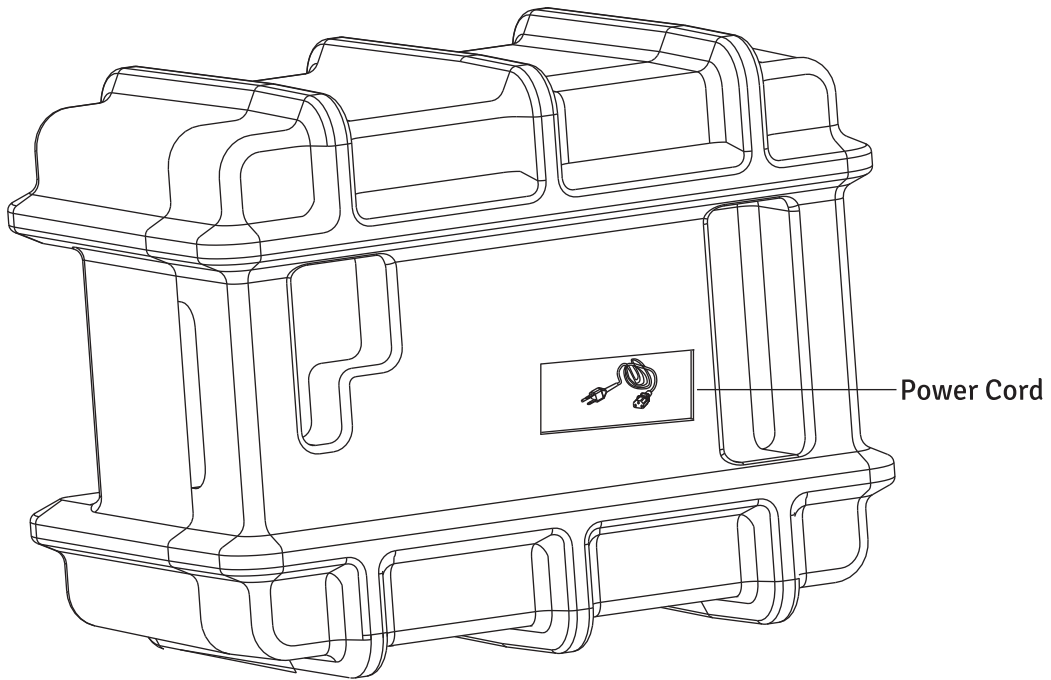
Wipe using a spiral movement. Do not use a zig-zag motion!

#### Cleaning of painted surfaces

Avoid the use of any organic solvent (e.g. thinner, xylene, ether, alcohol etc.) for cleaning of painted surfaces of the instrument. Painted surfaces can be cleaned with a very lightly moistened micro fiber cloth. Loose dust and dirt can be removed using a brush of soft hair used exclusively for this purpose.

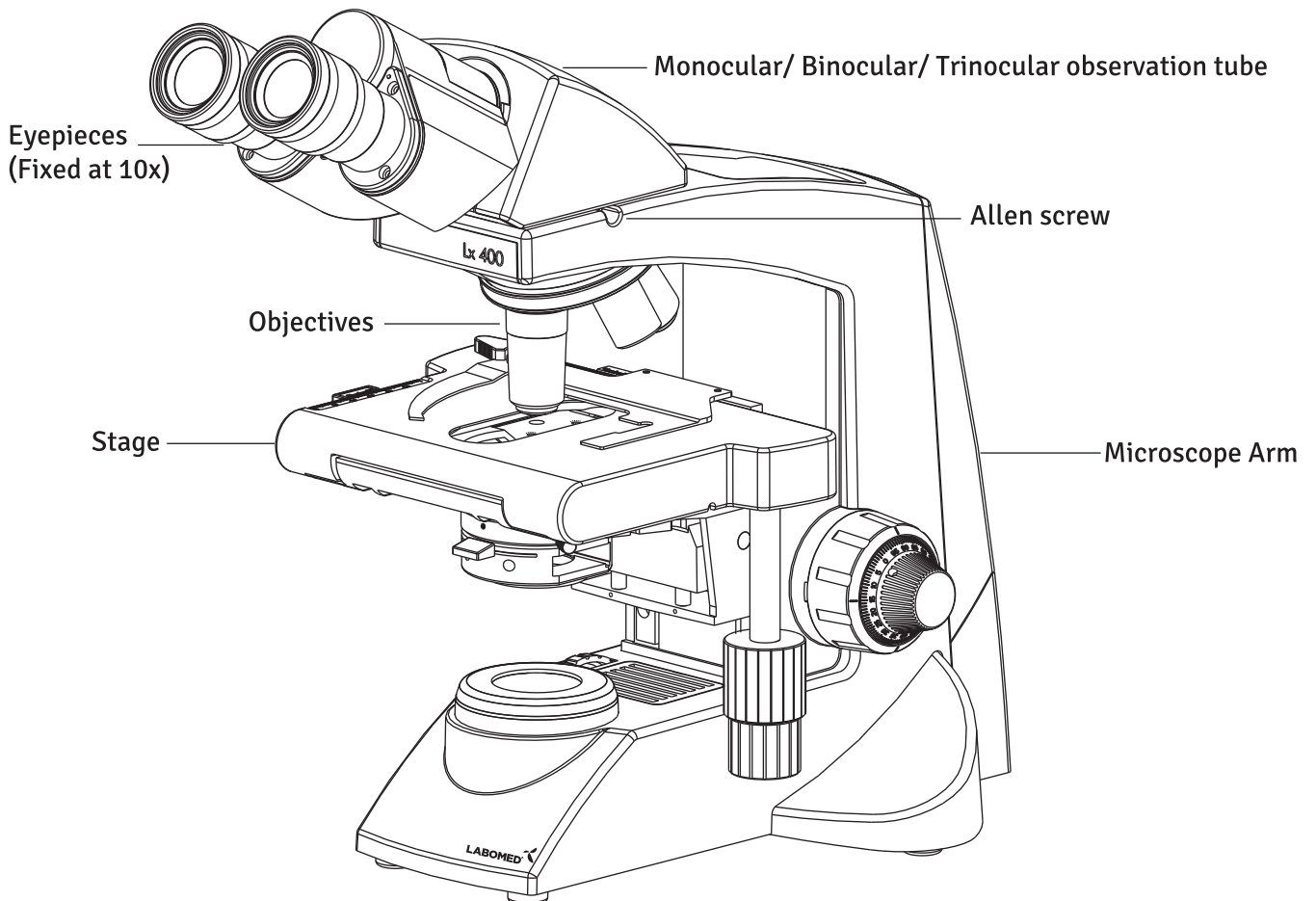




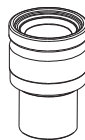




After removing your microscope from its packaging, make sure that all of the following contents are present. "Please note that the contents of your microscope may vary as the optional configuration, contrasting method or viewing body opted for may not be of the standard configuration highlighted here".



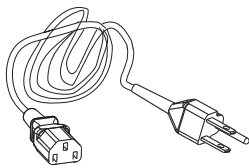
Daylight (blue) filter



Paired Eyepieces



Allen Wrench 3mm

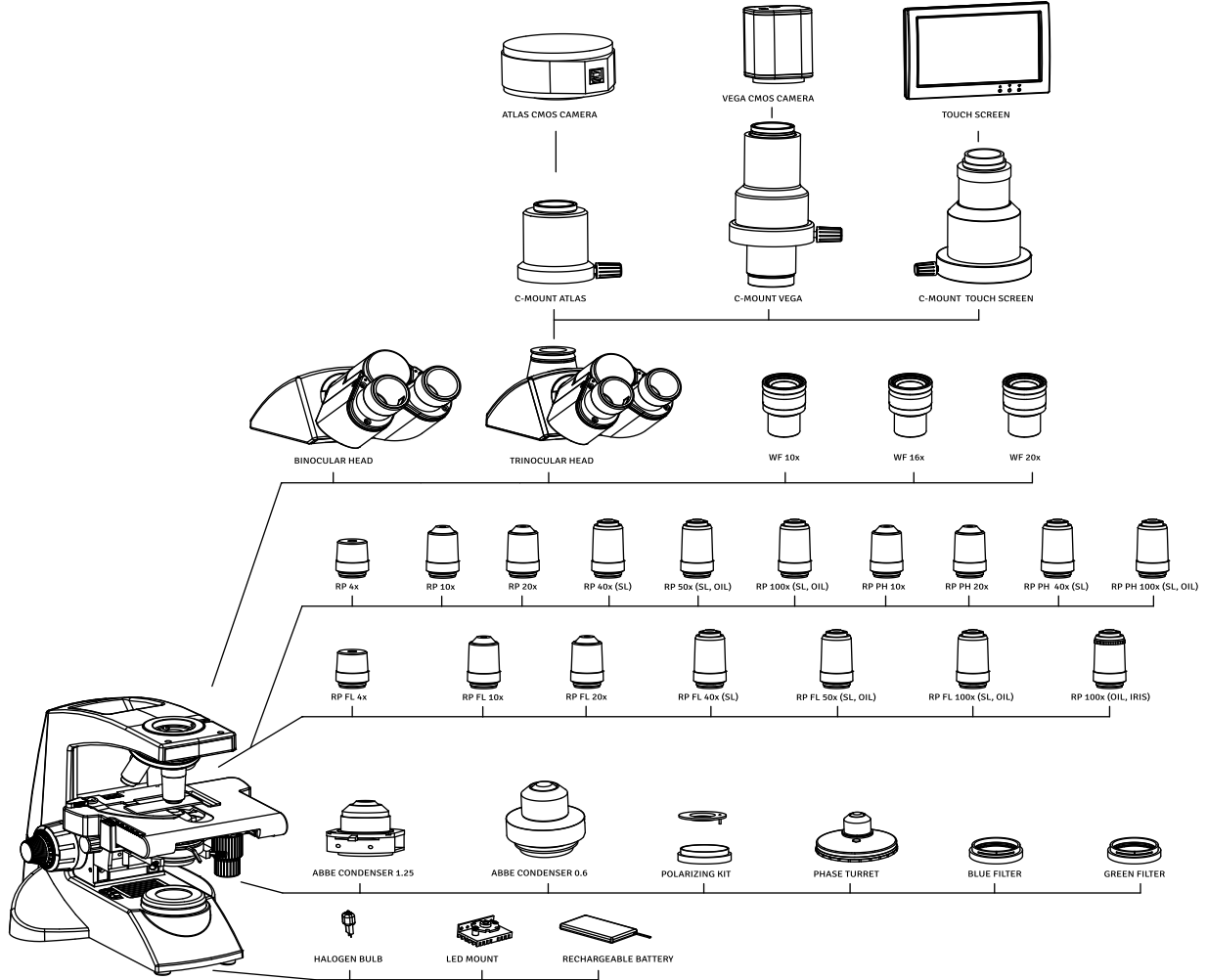


Power Cord



6V 20W Halogen bulb

SYSTEM DIAGRAM OF OPTIONAL ACCESSORIES



INSTALLATION AND OPERATION OF OPTIONAL ACCESSORIES

1 CAMERA MODULE SYSTEM

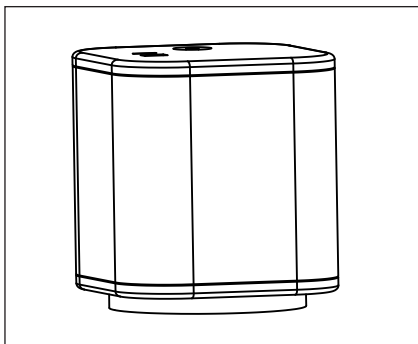


Fig. 4

1. Mount the Video adapter 1/2" on Trinocular observation head.
2. Mount Camera Module System on Video adapter.



## 2 OPTIONAL EYEPIECES

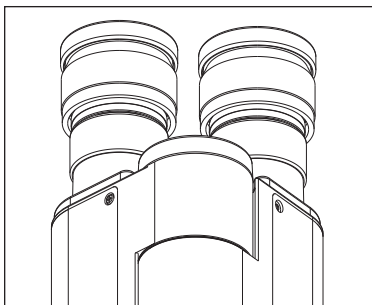


Fig. 5

10X eyepieces are provided. To replace:

1. Pull out the 10x eyepieces out from the observation heads Ocular tube.
2. Insert desired eyepieces in empty ocular tube.

## 3 PHASE TURRET

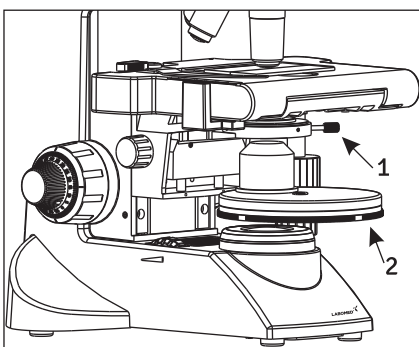


Fig. 6

1. Remove the condenser from its position by loosening the thumb screw (1) on right side of the condenser bracket as shown in figure 6.
2. Place the phase annulus turret in position from where the condenser has been removed.
3. Secure it with thumb screw (1). The phase turret can be adjusted at any desired phase annulus (10x, 20x, 40x & 100x) by turning the thumb wheel (2) to the desired position. There is also an '0' setting on the thumb wheel for bright field application.

**Note:** Refer to the user manual provided with the Phase Contrast fit for centering and alignment.

## 4 INSTALLING THE KOEHLER ILLUMINATION KIT

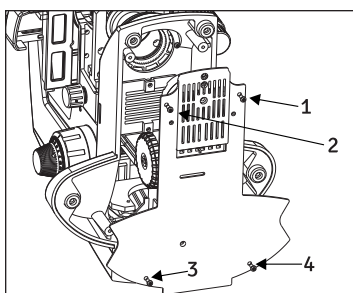


Fig. 7

Procedure for Koehler Installation Kit (figure 7-11)

1. Lay the microscope on a clean surface toward right so that the microscope base is exposed.
2. Using a screw driver, unscrew four screws (1 to 4) from (figure 7) to open the base of the microscope.
3. Remove two screws (A) and (B) from (figure 8) to open the illumination mount and replace it with Koehler mount.

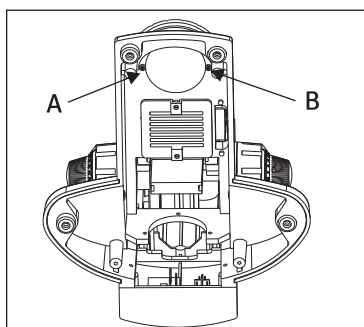


Fig. 8

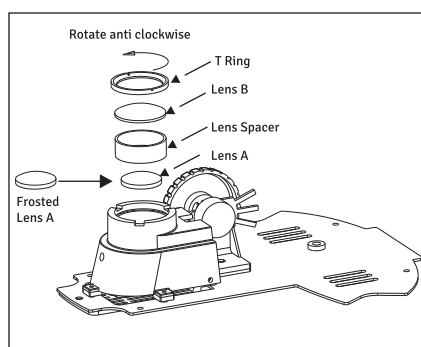


Fig. 9

4. Open the illumination assembly as in (figure 9), by rotating the T Ring. Replace the lens B with frosted lens provided with the Koehler kit.  
Secure the lens assembly back.
5. Close the base cover with screws.
6. Replace the blue filter with D lens. Refer figure 10.
7. Install the new Blue filter on the Koehler mount, figure 11.

**CAUTION:** The flat surface of the lenses will remain downwards for Lens A and Lens B.

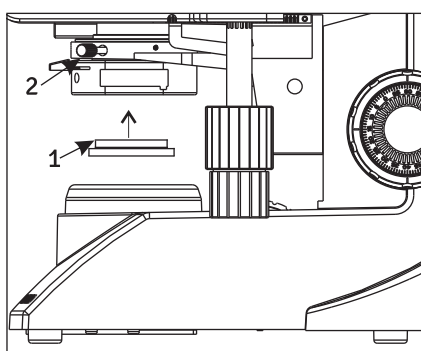


Fig. 10

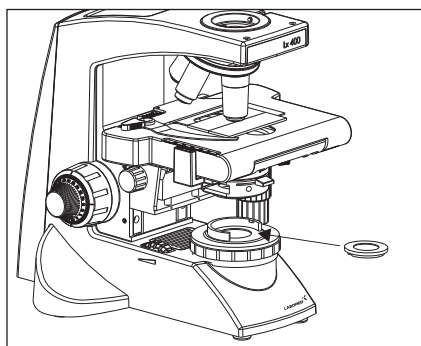


Fig. 11

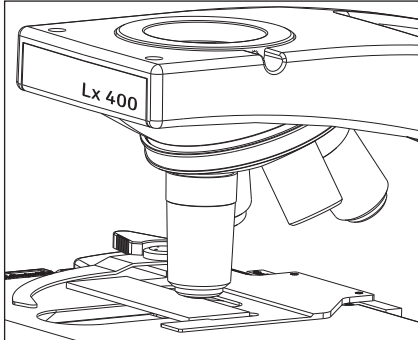
**1 OBJECTIVES**

Fig. 12

Objectives are factory set. Objectives are par-centered and parfocalised during assembly.

All objectives have been secured for a tight fit to prevent them from coming loose during transit. To remove an objective, rotate it counterclockwise while holding it with a rubber grip to avoid any slippage.

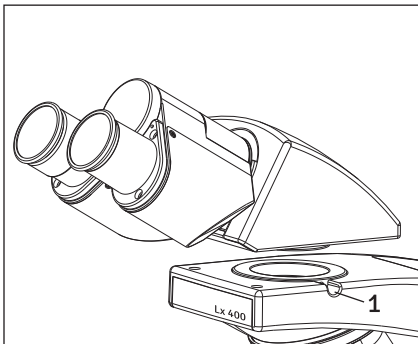
**2 OBSERVATION HEAD**

Fig. 13

Install the observation head using the following procedure:

1. Using allen wrench 3mm (provided), loosen the Head Locking Screw (1) and remove the dust cover cap provided in dovetail cavity as well as on observation head dovetail.
2. Mount the Observation Head by engaging the dovetail provided at the bottom of the head into the dovetail cavity provided in the microscopes arm.
3. Tighten the Head Locking Screw (1) after positioning the Observation head as desired. See figure 13.

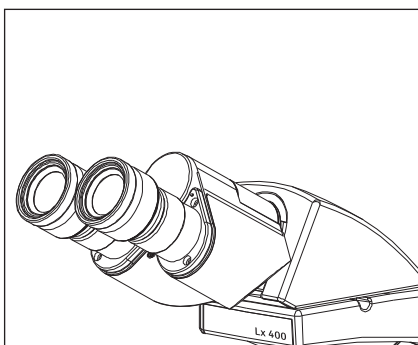
**3 EYEPIECES**

Fig.14

Insert the eyepieces into the ocular tube of Observation Head using following procedure:

1. Remove the protective caps from the observation tube.
2. Insert 10x eyepieces into the ocular sleeve and tighten the clamping screw (1) using allen wrench 1.2mm. See figure 14.

Each standard set can be assembled by simply attaching the bulb, filter and power cord.

## 1 INSTALLING OR REPLACING THE LAMP BULB

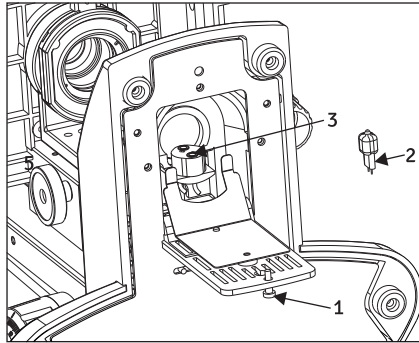


Fig. 15

Before attaching the lamp bulb, remove the parts that may drop such as the filter and specimen from the microscope frame, and place the microscope in its back so that the bottom plate is exposed.

1. Pull the lock knob (1) on the bottom to open lamp housing door (fig.15).
2. Hold the halogen bulb (2) without taking it out of the polyethylene bag so as not to taint the bulb with fingerprints and push the bulb into the pin holes on the socket (3). After attaching, remove the polyethylene bag.
3. With the lock knob pulled out, close the lamp housing door, then push the lock knob back to lock the cover.

Always use the designated bulb. Using a bulb other than those specified by LABOMED may lead to a fire hazard or low illumination. Fingerprints or stains on the lamp bulb reduce its life. If contamination occurs, wipe bulb surface with a cloth slightly moistened with alcohol.

### CAUTION: For Bulb Replacement During Use or Right After Use

The bulb, lamp socket and areas near these will extremely hot during and right after use. Set the main switch to "O" (OFF), disconnect the power cord from the wall outlet, and allow the bulb and lamp socket to cool before replacing the bulb with a new bulb of the designated type. Cooling time may vary to users Discretion.

## 2 PROCEDURE FOR LED REPLACEMENT

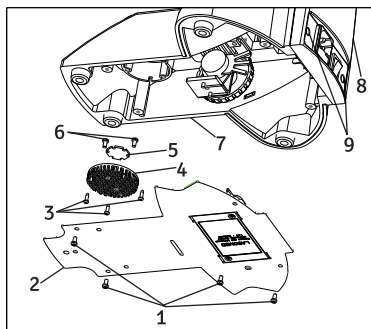


Fig. 16

1. Screws SS 658
2. Base Plate 9126100-301
3. Screws Heat Shield SS 714
4. Heat Shield 9135000-524
5. Star LED 9135000-901
6. LED Screws SS 658
7. Stand
8. Back Cover Plate 9126000-102
9. Electric Panel 9126000-103
10. Decorative Cap 8123000-202

Figure 16

1. Pull out two decorative caps (shown as 9) from back cover plate.
2. Using Cross head screw driver, unscrew two screws (shown as 9) to detach back cover plate from stand.
3. Lay down the microscope on back cover over a clean surface to expose base plate.
4. Using Cross head screw driver, unscrew four screws (shown as 1) to open the bottom plate of the microscope.
5. Cut LED wire holding tie and Detach LED wire connector from PCM mounted on back cover plate.
6. Detach Heat Shield from critical mount by opening 3 screws (shown as 3) with cross head screw driver.
7. Detach LED from Heat Shield by loosening 2 screws (shown as 6).
8. Replace new LED on Heat Shield and connect wire connections to PCB.
9. Reverse steps 6 to 1, to complete the process.

Applicable LED replacement: LED P/N 9135000-901

### 3 PROCEDURE FOR BATTERY REPLACEMENT

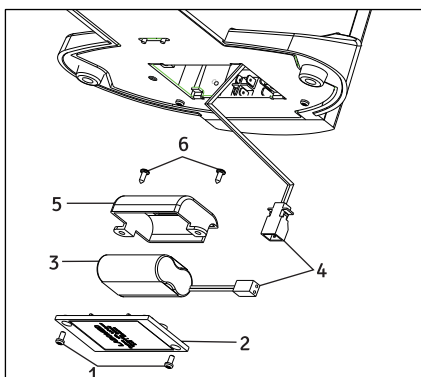


Fig. 17

1. Screws for Battery cover bottom SS 658
2. Battery cover 9135100-204
3. Battery 9135000-903
4. Cable clamp EL-488
5. Battery clamp X54383
6. Screws Battery clamp SS 658

Figure 17

1. Lay down the microscope on back cover a over clean surface to expose base plate.
2. Using Cross head screw driver, unscrew four screws (shown as 1) to open the battery cover from bottom plate.
3. Detach connector of connecting wires (shown as 4)
4. Remove two screws (shown as 6) provided on battery clamp with Cross head screw driver.
5. Replace existing Battery with new battery from LABOMED (Refer part no. below)
6. Reverse steps 5 to 1, to complete the process.

**Applicable LED Battery Replacement: LED P/N 9135000-903**

### 4 MOUNTING THE DAYLIGHT (BLUE) FILTER

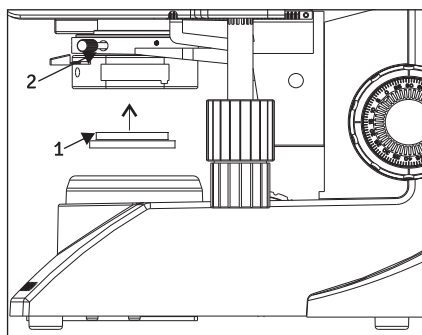


Fig. 18

This filter modifies the color of observation light into a natural (daylight color).

- Fit the filter (1) into the bottom of the condenser (2) until it clicks into (Figure 18).

### 5 INSTALLING OR REPLACING THE FUSE

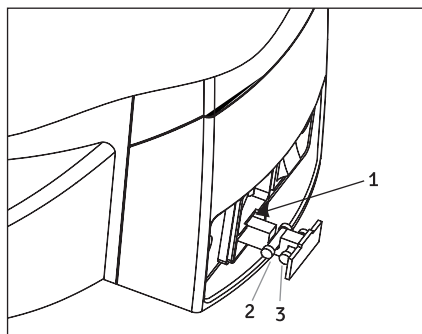


Fig. 19

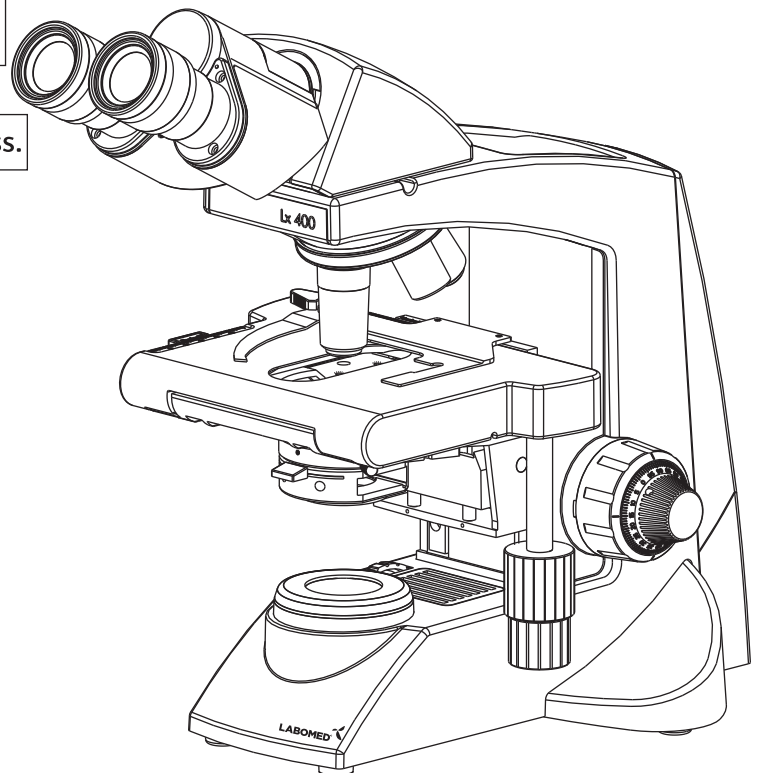
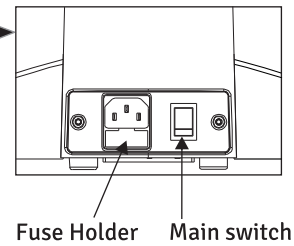
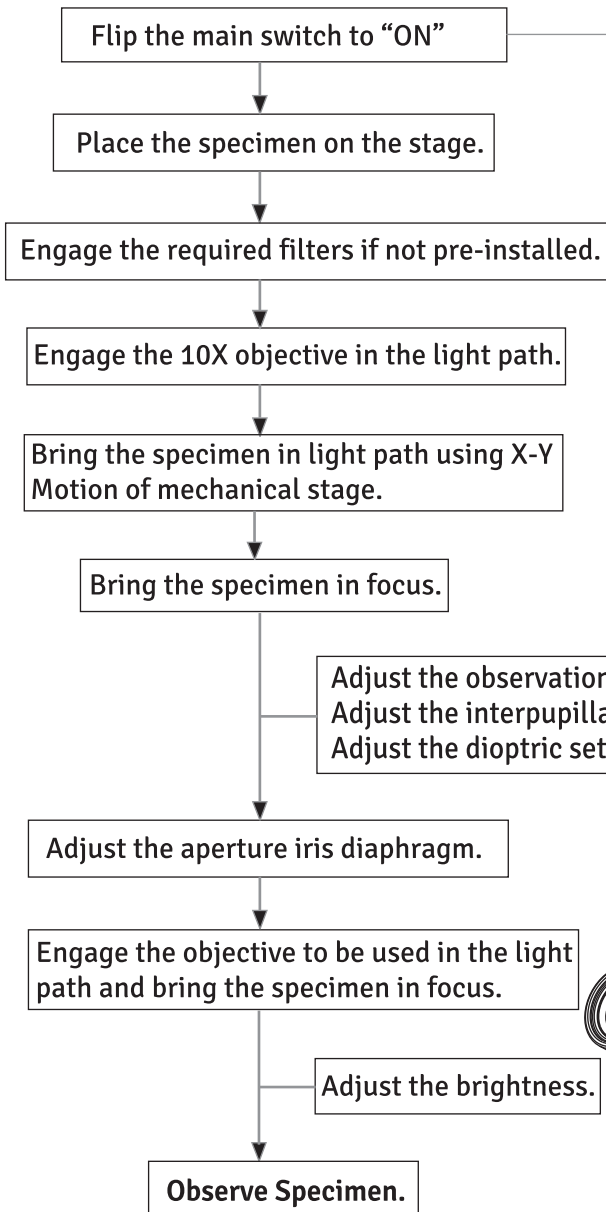
Before replacing the fuse, remove the parts that may drop such as the filter and specimen from the microscope frame. Turn around the microscope to its back so that the AC inlet is visible (Fig. 19).

1. Use a flat head screw driver to open the fuse holder (Shown as 1).
2. The fuse tray will come out with live fuse (Shown as 2) and spare fuse (Shown as 3). Do not pull out the fuse tray with force as it is locked and will not be out completely.
3. Replace the primary fuse (Shown as 2) with the spare fuse.
4. Engage the fuse tray back in.

**Always use the designated Fuse. Using a fuse other than those specified by LABOMED may lead to a fire hazard.**

**CAUTION:** For Fuse replacement Set the main switch to "O"(OFF), disconnect the power cord from the wall outlet.

# 10 SUMMARY OF BRIGHT FIELD OBSERVATION PROCEDURE



## 1 TURNING THE LAMP ON

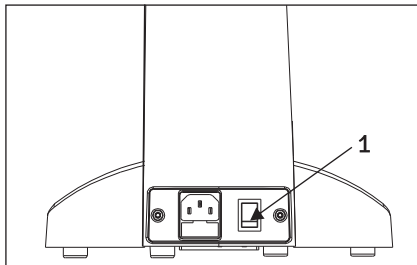


Fig. 20

1. Flip the main switch to “I” (ON) as shown in figure 20.

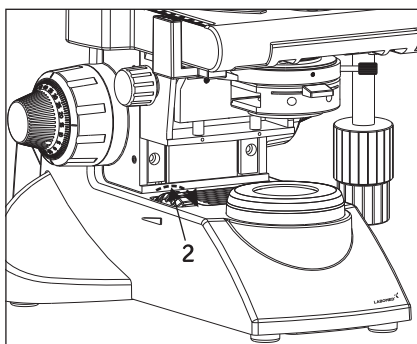


Fig. 21

2. Rotating the light intensity adjustment knob (Fig. 21) in the direction of the arrow increases brightness and rotating knob in the opposite direction decreases brightness. The intensity bar next the knob indicates the direction of intensity level.

## 2 PLACING SPECIMEN ON THE STAGE

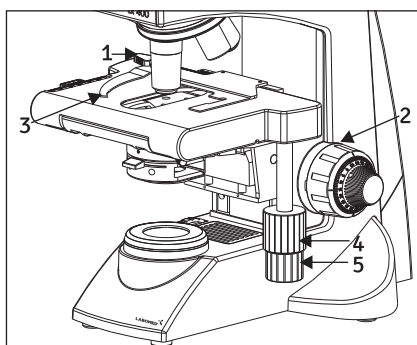


Fig. 22

1. Rotate the coarse adjustment knob (2) in anticlockwise direction to fully lower the stage.
2. Open the bow-shaped lever (3) outward by pulling on lever handle (1), place the specimen by sliding the specimen glass plate (s) on the stage from the front toward the slide seat at the rear.
3. After positioning your specimen slides, (2max) return the bow-shaped lever (3) gently by slowly releasing control knob (1).
4. Rotating the upper co-axial knob controlling the y-axis movement (4) moves the specimen in the vertical direction. Rotating the lower knob (%) moves the specimen in the X-axis or horizontal direction.

**Do not adjust the specimen holder directly by hand, for this will damage the rotary mechanisms.**

**CAUTION: When the specimen holder reaches stop position, the rotation force of the X/Y knobs become stiff. Stop rotating at this point.**



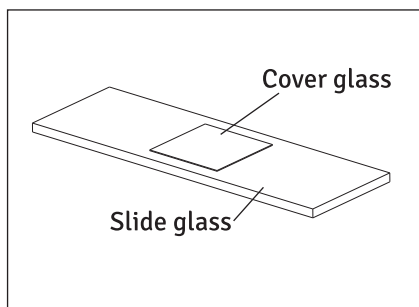


Fig. 23

### Cover glass

This is the glass plate paced on the specimen. For optimum optical performance, the cover glass thickness, which is the distance from its surface to the specimen surface, should be 0.17mm.

### Slide glass

This glass plate should ideally have a length of 76mm, width of 26mm  $\pm$  1mm and thickness between 0.9 and 1.4mm.

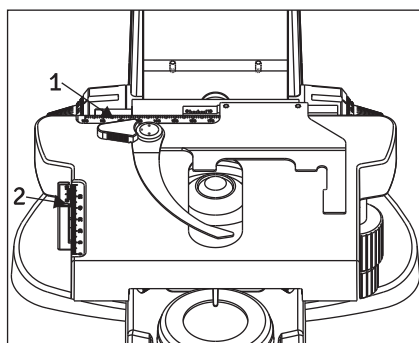


Fig. 24

### “Vernier Scales”

These scales allow for easy identification of the specimen’s position (coordinates), making it easy to return to a particular region of interest after scanning the slide. (Figure 24)

1. The horizontal coordinate can be read at position (1) on the specimen holder.
2. The vertical coordinate can be read at the index line (2).

## 3 ADJUSTING THE FOCUS

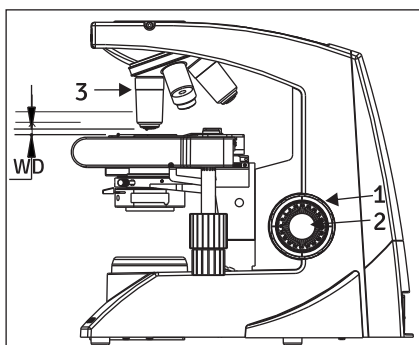


Fig. 25

### Focusing Procedure (Figure 25)

1. Rotate the coarse adjustment knob (1) clockwise so that the objective (3) is as close as possible to the specimen (we recommend starting with 10X).
2. While observing the specimen through the eyepieces, slowly rotate the coarse adjustment knob (1) counterclockwise to lower the stage.
3. When coarse focusing of the specimen is obtained (an image is observed), rotate the fine adjustment knob (2) for fine detail focusing.

### Working Distance (WD)

The WD refers to the distance between each objective and the specimen, when acute focus of the specimen is obtained.

Objective Magnification	4X	10X	40X	100X
WD (mm)	30.0	4.5	0.50	0.13



#### 4 ADJUSTING THE INTERPUPILLARY DISTANCE (IPD)

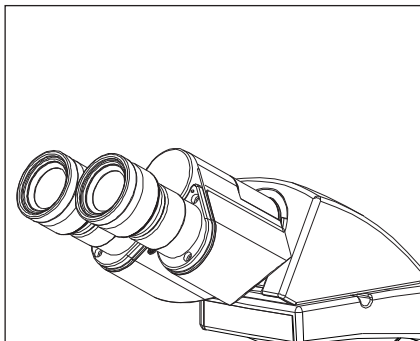


Fig. 26

The inter-pupillary distance adjustment consists of regulating the two eyepieces to align with both eyes' pupils so that you can observe a single microscope image through two eyepieces in stereo vision. This greatly helps to reduce fatigue and discomfort during observation.

While looking through the eyepieces, move both eye tubes laterally until the left and right fields of view coincide completely.

IPD is printed on circular disc between the two eye tubes.

The position of index dot (•) indicated the inter-pupillary distance value.

Note your interpupillary distance so that it can be quickly referred to in the future. This is happen when multiple users work with the microscope.

#### 5 ADJUSTING THE DIOPTR

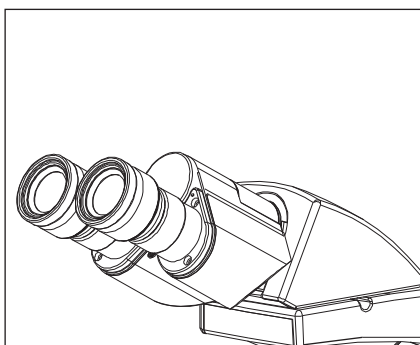


Fig. 27

Procedure for adjusting the diopter:

1. Rotate the right eyepiece to match the center of the diopter scale markings.
2. While looking through the right eyepiece with your right eye, rotate the coarse and fine adjustment knobs to bring the specimen into focus.
3. While looking through the left eyepiece with your left eye, rotate only diopter adjustment ring on the eyepiece until specimen is at its best possible focus.

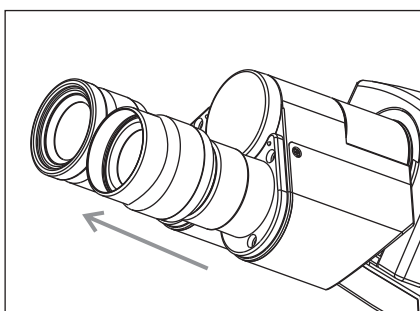


Fig. 28

#### Using the Eye Guards

##### When Wearing Eyeglasses

Use with the eye guards in the normal, folded-down position. This will prevent the eyeglasses from being scratched.

##### When Not Wearing Eyeglasses

Extend the folded eye guards outwards (direction of the arrow) to prevent ambient light entering into your line of vision.

## 6 CENTERING THE CONDENSER

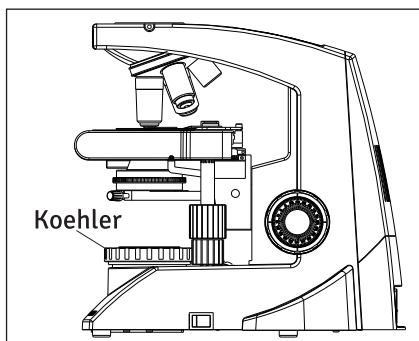
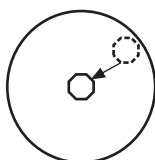


Fig. 29



The condenser is fixed and cannot d-center. In case of any error, remove the condenser by loosening thumb screw and re-install the same.

### For models with Koehler illumination:

The Koehler mount has the floating diaphragm mount (fig. 30,3). With this the Koehler can be centered wrt to the condenser.

1. Put specimen slide on stage.
2. Click 10x obj. in position.
3. Focus the specimen.
4. Close the Base diaphragm, Remove the slide.
5. Move condenser up & down to get sharp image of base diaphragm.
6. Now optimize base diaphragm by floating it and center it (fig.29).
7. Leave the base diaphragm at the final position. Close the base diaphragm fully.

## 7 ADJUSTING THE CONDENSER POSITION AND APERTURE IRIS DIAPHRAGM

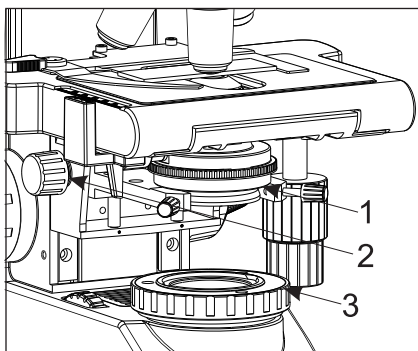


Fig. 30

The condenser is most often used in the highest position. If the observed field of view is not bright enough, brightness may be improved by lowering the condenser slightly.

1. Rotate the condenser height adjustment knob (2) to move the condenser to the highest or desired position (fig. 30).
2. The aperture iris diaphragm ring (1) has an objective magnification scale (4x, 10x, 40x, 100x). Slide the diaphragm lever left right to achieve the desired illumination level (fig.30).

## 8 SWITCHING THE OBJECTIVES

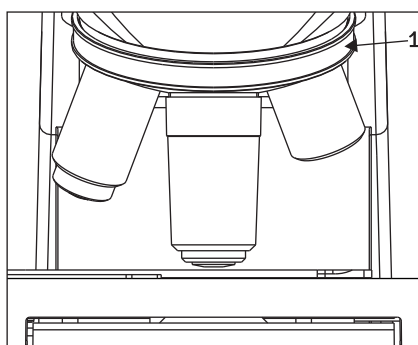


Fig. 31

Rotate the revolving nosepiece (1) so that the objective to be used is in line above the specimen. Always use the ribbed grip (1) to rotate the objective nose piece.

## 9 USING THE 100X IMMERSION OBJECTIVE

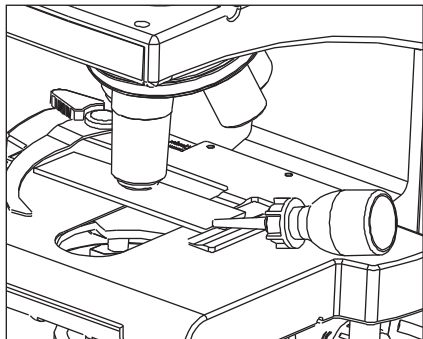


Fig. 32

The designated immersion oil should be in contact with the cover lens of the 100X immersion objective. If not, the specimen will appear distorted and dull. It is recommended that LABOMED immersion oil is always used.

### Immersion Process:

1. Bring the specimen in focus using first the 10x, then 40x objective.
2. Disengage the 40x cycling towards 100x, and place a drop of immersion oil on the center point of the specimen.
3. Rotate the revolving nose piece to engage the immersion objective and rotate the fine adjustment knob to bring the specimen into focus

### Caution:

(Since air bubbles in the oil will affect the image quality, make sure that the oil is free of bubbles. To remove bubbles, rotate the revolving nosepiece slightly to agitate the oil).

4. After use, remove oil from the objective front lens by wiping with lens tissue slightly moistened with an ether (70%) alcohol (30%) mixture.

### Caution:

If immersion oil makes contact with your eyes, rinse eyes out thoroughly with fresh water. If immersion oil makes contact with skin, wash affected areas with soap and water. If prolonged discomfort is experienced, consult your physician immediately.

## 12.1 CLEANING OF OPTICAL SURFACES:

The Max lite multi-layer coating of the optical components (e.g. eyepieces objective lenses) ensured optimum images quality.

Image quality is impaired by even slight contamination. To protect the internal optics from dust, the system should never be left without the objective lens, binocular tube and eyepieces. After use, cover the system to protect it from dust, Always store optical components and accessories which are not being used in dust-free cases.

Clean the external surfaces of optical components as required.

Never spray fumigates directly on the instruments or optical surfaces.

## 12.2 CAUTION:

Do not use any chemical detergents or aggressive substances. These may damage the optical surfaces.

- Remove coarse dirt (splashes or blood etc.) using distilled water to which a dash of household dish-washing liquid has been added. Wipe the surface only with a damp, under no circumstances with a wet cloth. Any remaining marks can be easily removed using the following aides.
- For thorough cleaning of optical surfaces, use the optics cleaning set or damp optics cleaning wipes (available from specialized dealers).
- Remove minor contamination such as dust, streaks, etc. using a clean microfiber cleaning cloth (available from specialized dealer).

## 12.3 CLEANING MECHANICAL SURFACES:

All mechanical surface of the equipment can be cleaned by wiping them with a damp cloth. Do not use any aggressive or abrasive detergents.

Wipe off any residue with a mixture of 50% ethyl alcohol and 50% distilled water plus a dash of household dish-washing liquid.

## Ambient Requirement

For Operation	Temperature Rel. Humidity (without condensation) Air Pressure	+10°C.....+40°C 30%.....90%  700hPa.....1,060hPa
For Transportation and Storage	Temperature Rel. Humidity (without condensation) Air Pressure	-40°C.....+70°C 10%.....100%  500hPa.....1,060hPa

The unit meets the essential requirements of directive 73/23/EEC (Low Voltage Directive) . The unit is marked with : CE and is compliant to IEC 61010-1.

Disposal must comply with locally applicable laws and regulations.

Under certain conditions, performance of the unit may be adversely affected by factors other than defects. If problems occur, please review the following list and take corrective action as needed. If problem persists, please contact LABOMED or your local LABOMED dealer.

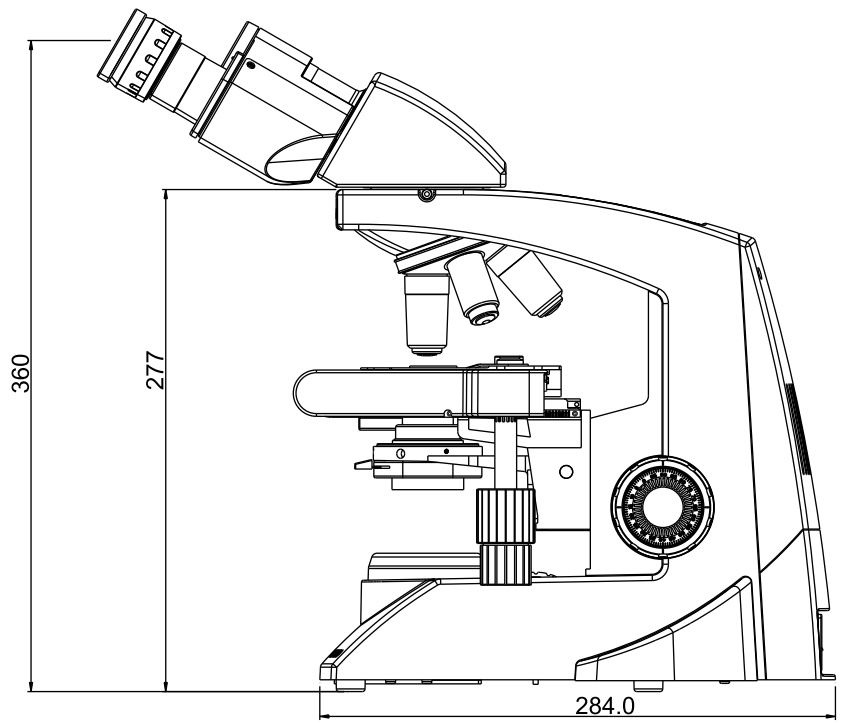
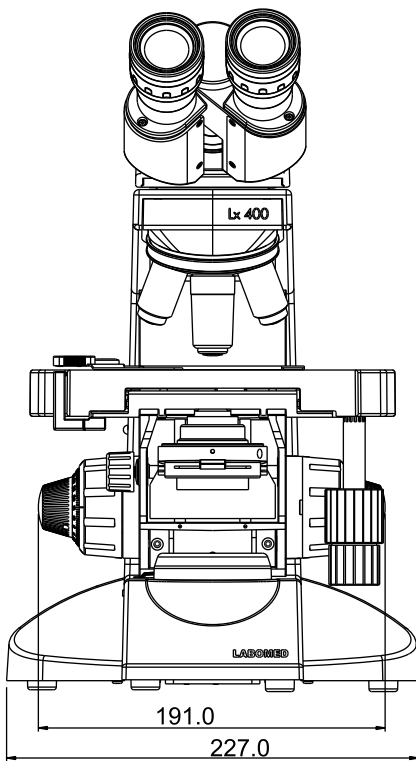
OBSERVATION	CAUSE	REMEDY
1. Uneven brightness in observation field	The objective is not engaged in the light path	Engage the objective into position until the nose turret clicks
	The condenser is too low	Raise up to achieve more light (Pg#19)
2. Dust or stains are visible in observation field	The objective, eyepieces, condenser and/or window lens are dirty	Clean them thoroughly as previously Prescribed in "Optical Cleaning" (Pg#4)
	The eyepieces, condenser, window lens and/or specimen glass is dirty	Clean glass parts thoroughly with lens tissue and cleaning solution Prescribed in "Optical Cleaning"(Pg#4)
3. Glare visible in field of view	The condenser is too low	Raise condenser light
	The condenser iris diaphragm ring is closed	Adjust the aperture according to the objective magnification (Pg#18)
4. Observation image is hazy or unclear	The objective is not engaged in the light path	Engage the objective into position until it clicks (Pg#19)
	The objective, eyepieces, condenser and/or specimen glass is dirty	Clean glass parts thoroughly with lens tissue and cleaning cloth
	Immersion oil is not used with an immersion objective	Use immersion oil as suggested (Pg#20)
	Bubbles are present in immersion oil	Remove the bubbles by agitation (Pg#20)
	The specified immersion oil is not used	Use the immersion oil supplied by LABOMED
5. Part of image is defocused	The objective is not engaged in the light path	Engage the objective into position until the nose turret clicks
	The specimen is not set properly on the stage	Set the specimen correctly on the stage and secure using the specimen holder (Pg#16)
6. Coarse focus adjustment cannot lower the stage low enough	The condenser is too low	Raise the condenser
7. Fields of view through both eyepieces is inconsistent	The interpupillary distance is not adjusted properly	Adjust IPD to the appropriate setting (Pg#18)
	Dioptric compensation for the two eyes is not set	Adjust diopter settings (Pg#18)
	The left and right eyepieces are of different magnification	Ensure that both eyepieces are of same magnification. LABOMED does not recommend using third party eyepieces in conjunction with LABOMED eyepieces

OBSERVATION	CAUSE	REMEDY
8. Objective hits the specimen when an objective is switched to a higher magnification objective	The specimen slide is upside down	Set the specimen correctly with the cover glass facing upwards
	The cover glass is too thick	Use a cover glass with thickness of 0.17mm
	The stage is raised too high	Lower the stage
	The slide has slipped from the slide holder	Re-position the slide in the slide holder
	Slide is of excessive thickness	Use slides with thickness between 0.9 and 1.4mm
9. Bulb/LED does not turn On	Bulb/LED is not mounted	Attach a bulb/LED
	Bulb/LED is blown	Replace the bulb/LED
	The power cord is unplugged/ Not firmly secured	Ensure power cord is securely plugged into the box socket + wall outlet
	Fuse is blown	Check and replace with live fuse
	Battery is low	Charge battery
10. Bulb/LED blows easily	The specified bulb/ LED is not used	Replace with the specified bulb/LED



1. Illumination	Built-in illumination system Halogen/ LED		
2. Focusing mechanism	Stage height adjustment mechanism Fine adjustment scale: 3.0µm per graduation Fine adjustment stroke: 0.3mm per turn Total stroke: 12.7mm Co-axial coarse and fine focusing on ball drive		
3. Revolving nose piece	Quadruple positions fixed (Reverse angle)		
4. Observation tube		Binocular	Trinocular
	Field number	20 (Standard)	20 (Standard)
	Tube tilting angle	30°	30°
	Interpupillary distance adjustment range	48-75	48-75
5. Stage	Size	200 X 140mm (with mechanical stage)	
	Movement range	78 x 54mm	
	Specimen holder	Double specimen	
6. Condenser	Type	Abbe condenser (daylight filter detachable)	
	N.A.	1.25	
	Aperture iris diaphragm	Built-in	
7. Dimensions & Weight	284.0mm (L) x 227.0mm (W) x 360.6mm (H); 7 kg net		
8. Electrical	Halogen	6V-20W	6V-30W
	Charging time	Upto 2,000 hours	Upto 500 hours
	LED Battery	7.4V, 1000mA	
	Charging time	Upto 5 hours (with totally consumed battery)	
	Total battery time	Upto 2 hours after fully charging	
9. Operating environment	Indoor use Altitude: Max. 2000 meters Ambient temperature: 5° to 40°C (41° to 104° F) Maximum relative humidity: 80% for temperature up to 31°C (88°F), Decreasing linearly through 70% at 34°C (93°F), to 50% relative humidity at 40°C (104°F) Supply voltage fluctuations: Not to exceed ±10% of the normal voltage. Pollution degree: 2 (in accordance with IEC60664) Installation/Over voltage category: II (in accordance with IEC60664)		
10. Weight		Binocular	Trinocular
	Packed	14 kg.	14 kg.
	Unpacked	7 kg.	7 kg.

# 16 DIMENSIONS





**Labo America Inc.**  
920 Auburn Court  
Fremont, CA  
94538  
U.S.A.

Phone: 510-445-1257

Fax: 510-991-9862

E-mail: [sales@laboamerica.com](mailto:sales@laboamerica.com)

[www.laboamerica.com](http://www.laboamerica.com)

**EU|REP.**

**Labomed Europe**

Essebaan 50

NL-2908 LK Capelle a/d IJssel

The Netherlands

Tel: +31 (0)10 4584222

Fax: +31 (0)10 4508251

E-mail: [info@labomedeuropa.com](mailto:info@labomedeuropa.com)

