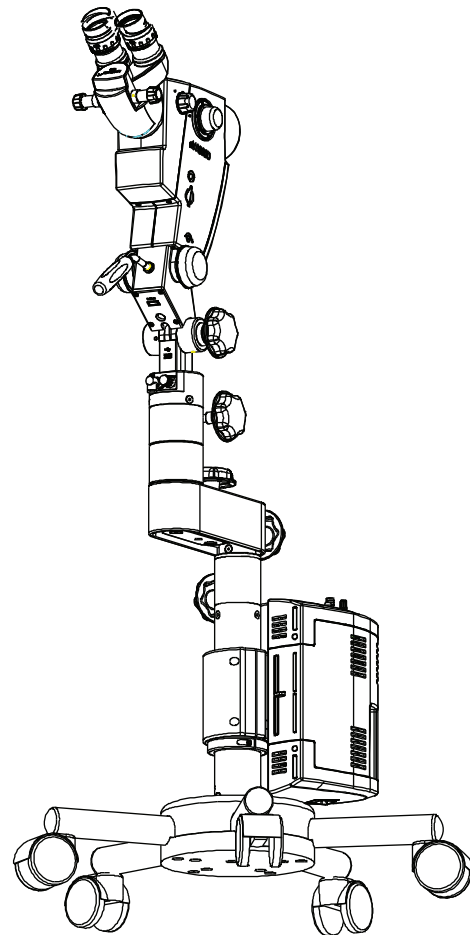


# eVA Service / Part List Manual

## COLPOSCOPE

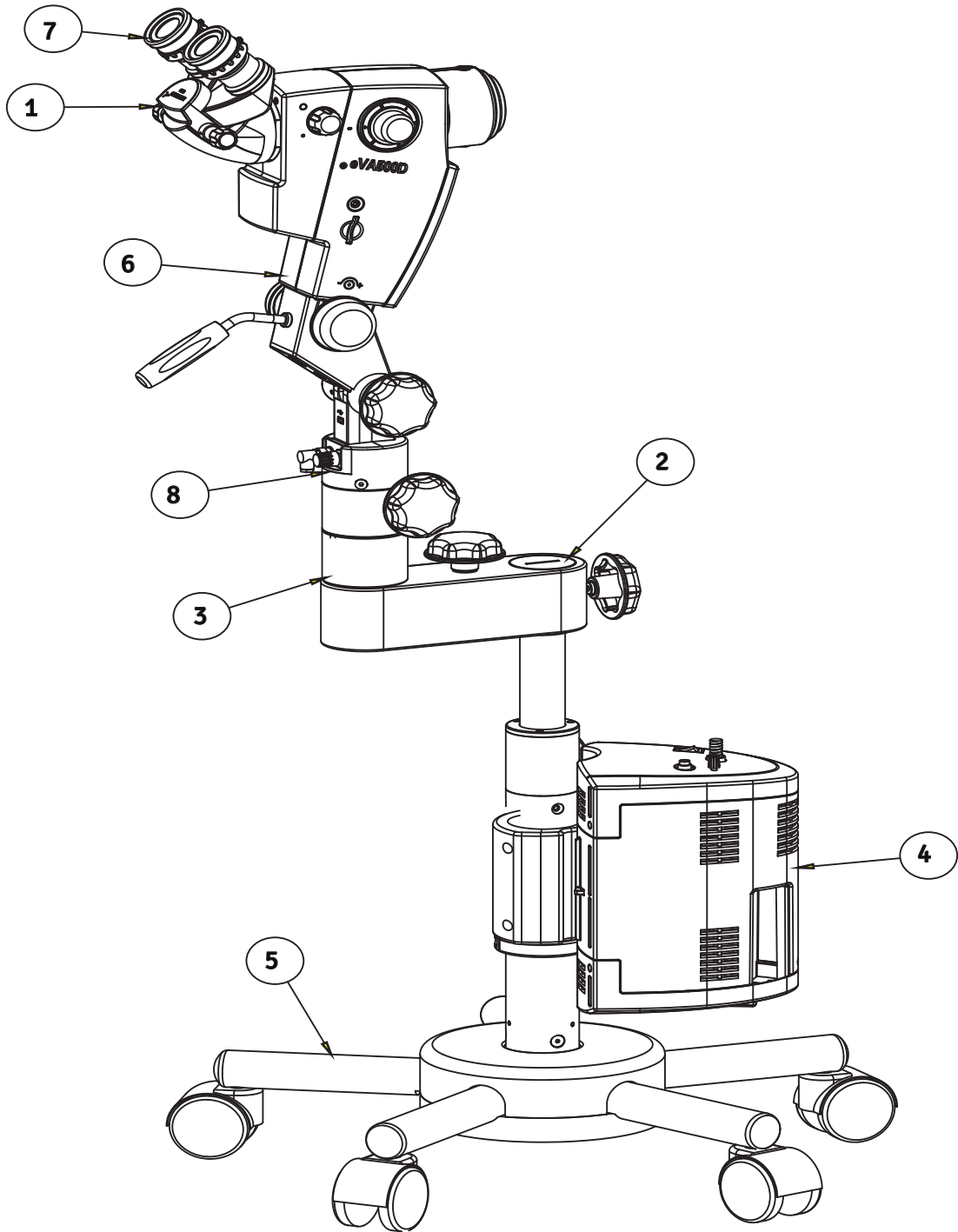


To ensure proper use of this instrument as well as to avoid injury while operating instrument, understanding this manual Completely before use is highly recommended.

# CONTENTS

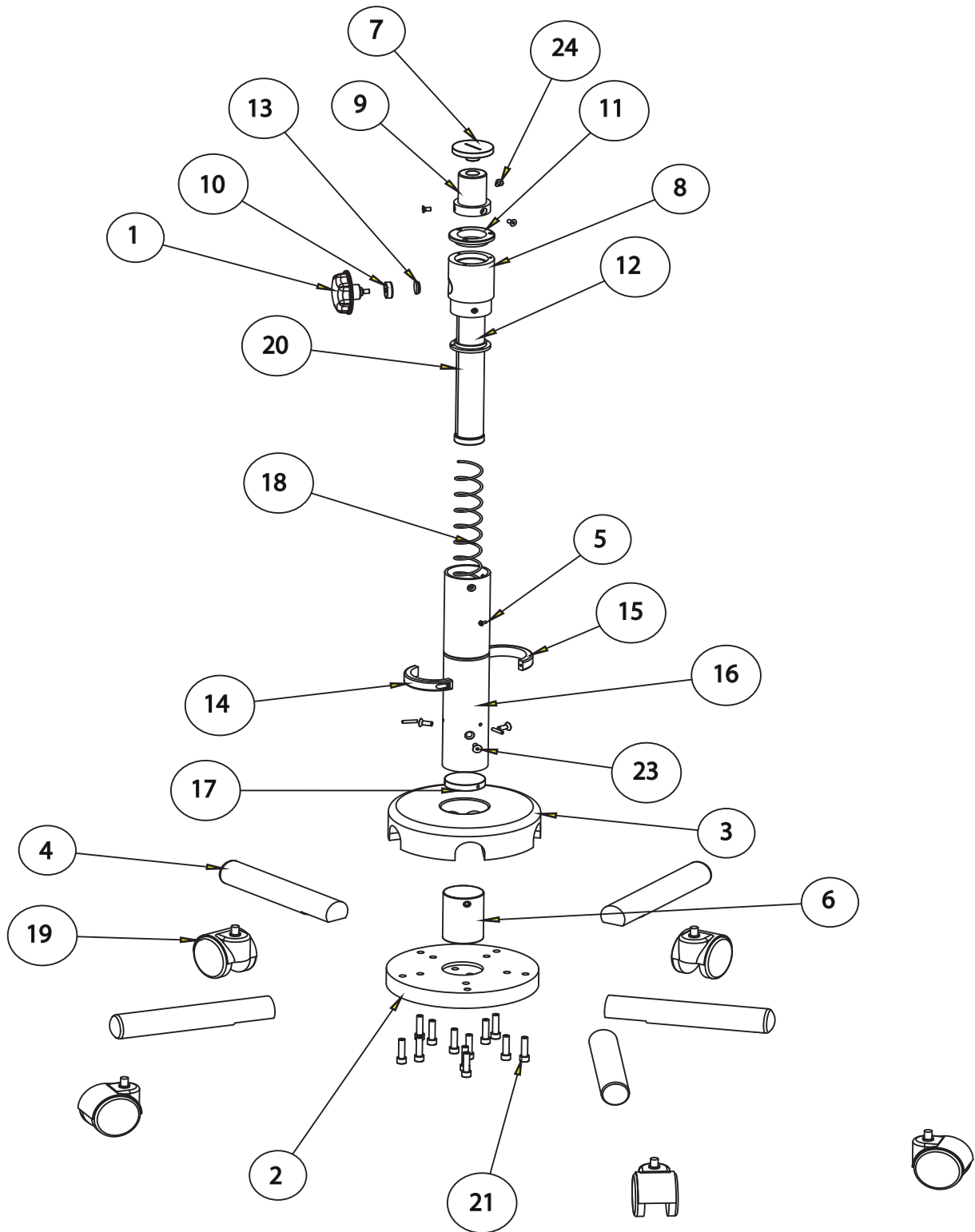
<b>1. ASSEMBLY eVA</b>	<b>1</b>
<b>2. BASE &amp; PILLAR ASSEMBLY eVA</b>	<b>2-3</b>
<b>3. CARRIER ASSEMBLY eVA</b>	<b>4-5</b>
<b>4. ARM ASSEMBLY eVA</b>	<b>6-7</b>
<b>5. ILLUMINATION POWER BOX ASSEMBLY</b>	<b>8-9</b>
<b>6. BINOCULAR HEAD ASSEMBLY</b>	<b>10-11</b>

# 1. ASSEMBLY eVA



ITEM	QTY	PART NUMBER	DESCRIPTION
1	1	6121035	INCLINED HEAD
2	1	6168000-150	THREADED PLUG
3	1	6168000-818	ARM EZ-LIFT
4	1	6168000-830	EVA LUX ILLUMINATION BOX
5	1	6168000-847	ASSY, STAR BASE
6	1	6168000-848	ASSY ARM
7	2	A6122010-810	EYE PIECE
8	3	SS-802	SOCKET FLAT HD SCREW M5x10

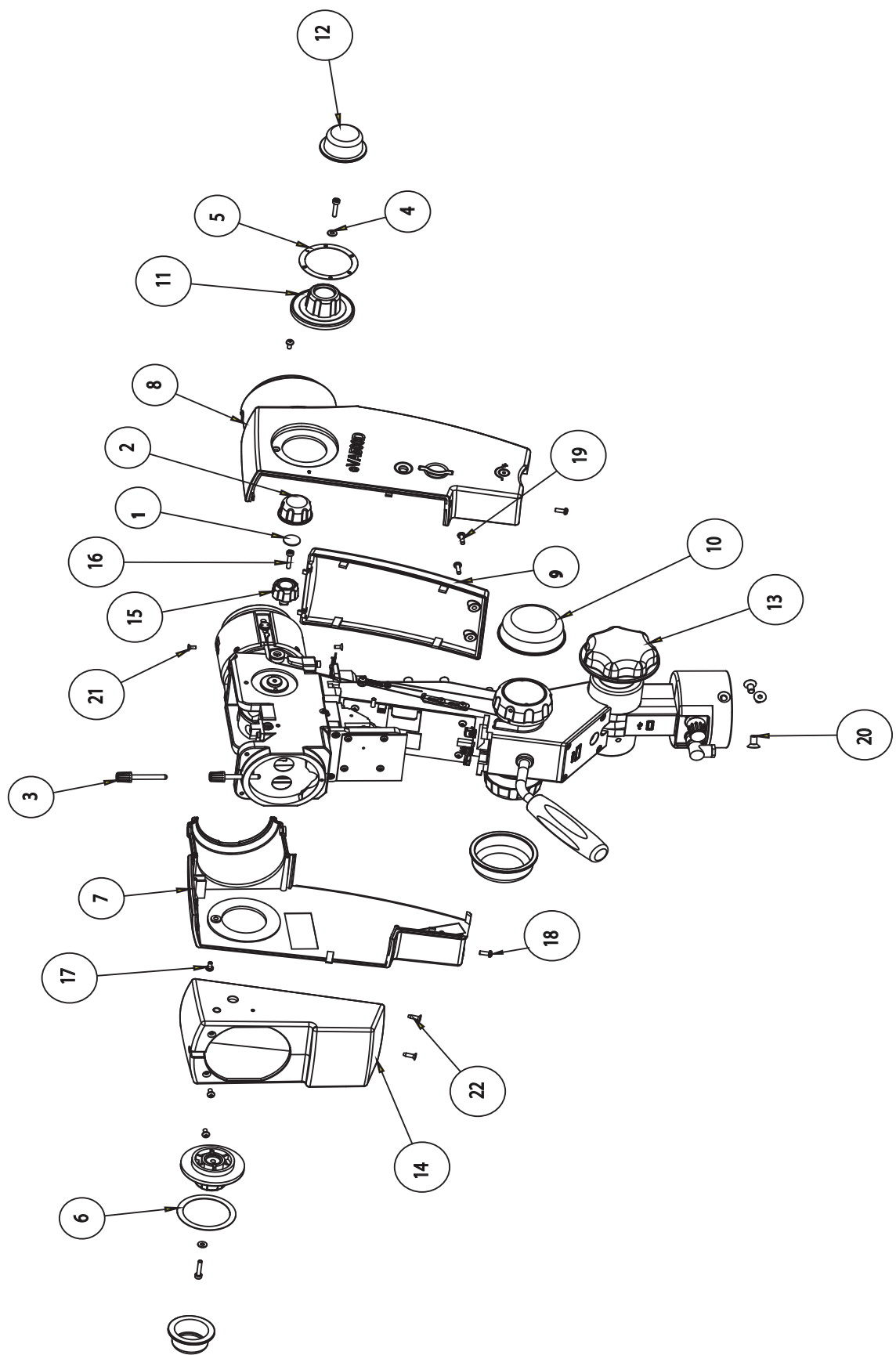
## 2. BASE & PILLAR ASSEMBLY eVA (6169000)



## BASE & PILLAR ASSEMBLY eVA (6169000)

ITEM	QTY	PART NUMBER	DESCRIPTION
1	1	6167500-204	LOCKING KNOB
2	1	6168000-138	BASE PLATE
3	1	6168000-139	BASE COVER
4	5	6168000-140	BASE LEGS
5	1	6168000-141	PILLAR
6	1	6168000-142	GUIDE PLUG
7	1	6168000-150	THREADED PLUG M8
8	1	6168000-171	GUIDE BUSH
9	1	6168000-173	MOUNTING PLUG
10	1	6168000-174	THREADED NUT M6
11	1	6168000-175	DELIN BUSH (TOP)
12	1	6168000-176	DELIN BUSH (BOTTOM)
13	1	6168000-178	LOCKING WEDGE
14	1	6168000-190	SUPPORT CLAMP TOP
15	1	6168000-191	SUPPORT CLAMP BOTTOM
16	3	6168000-193	DOWELL PIN
17	1	6168000-194	SPRING SUPPORT BOTTAM
18	1	6168000-351	COMPRESSION SPRING
19	5	6168000-361	WHEEL DIA. 65
20	1	6168000-852	ASSY. SLIDING COLUMN
21	12	SS-184	M8 X30-SOCKET HEAD CAP SCREW
22	2	SS-657	PAN HD. SCEW M3x8.0
23	3	SS-800	SOCKET FLAT HD SCREW M6x16
24	3	SS-802	SOCKET FLAT HD SCREW M5x10

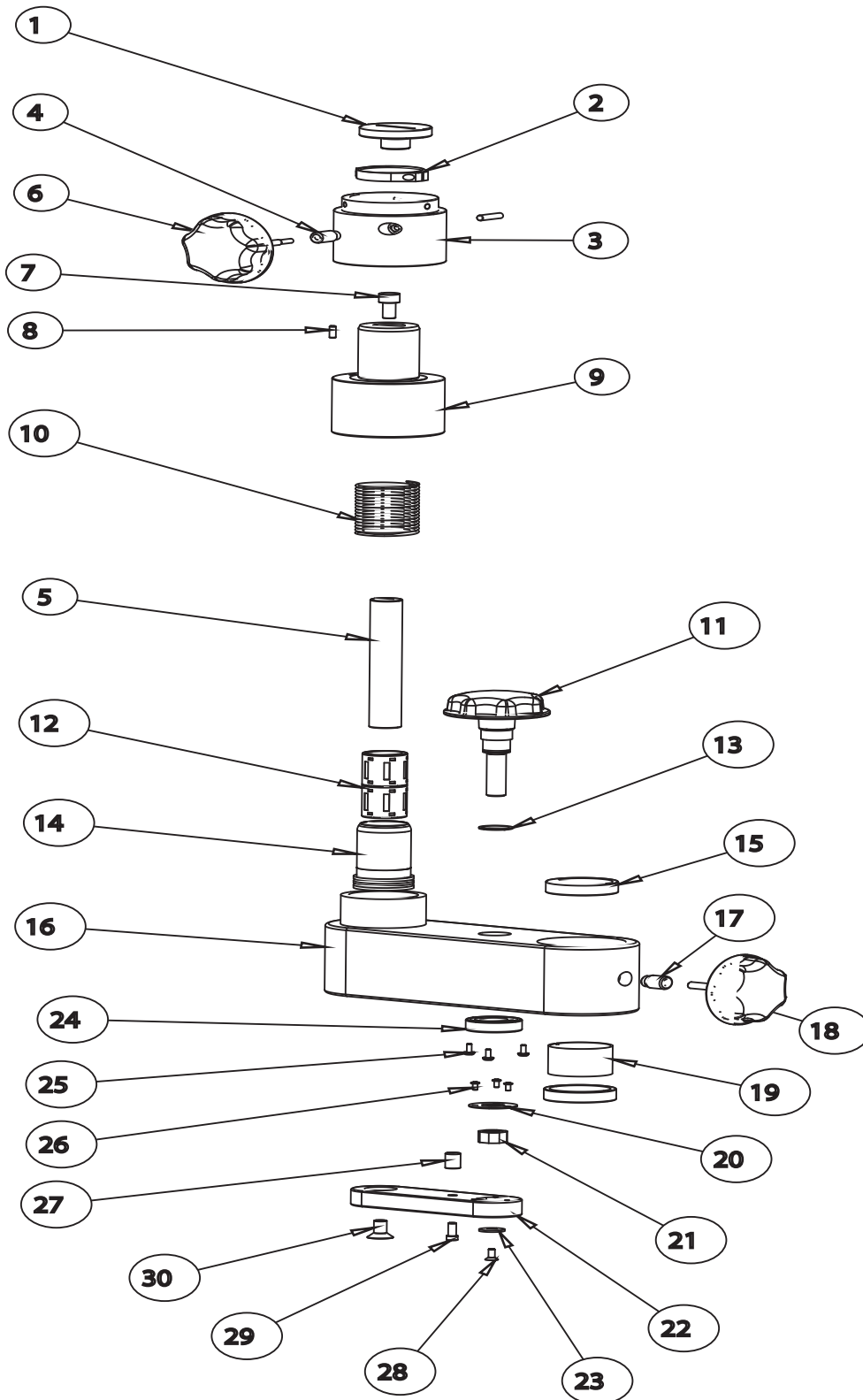
### 3. CARRIER ASSEMBLY eVA (6169000)



## CARRIER ASSEMBLY eVA (6169000)

ITEM	QTY	PART NUMBER	DESCRIPTION
1	1	4140000-215	DECORATIVE CAP
2	1	6122015-209M	SILICON COVER
3	2	6168000-191	HEAD LOCKING SCREW
4	2	6168000-318	WASHER 7.5x3.2x0.8
5	1	6168000-359	PRINTED LABEL (R)
6	1	6168000-360	PRINTED LABEL (L)
7	1	6168000-201M	COVER RIGHT
8	1	6168000-202M	COVER LEFT
9	1	6168000-203M	FRONT COVER
10	2	6168000-213M	SILICON COVER DIAL
11	2	6168000-218M	MAGNICHANGER KNOB
12	2	6168000-219M	SILICON KNOB COVER
13	1	6168000-801_	MAGNICHANGER ASSLY
14	1	8145000-205M	CAMERA COVER FOR DIGITAL
15	1	8145000-219M	KNOB YELLOW FILTER
16	3	FS-136	M3x16 SOCKET HEAD CAP SCREW
17	4	SS-658	PAN HD. SCEW M3x6.0
18	2	SS-659	M3 X 8/PH/PAN/DNA
19	2	SS-660	PAN HEAD SCREW M3x10
20	3	SS-802	SOCKET FLAT HD SCREW M5x10
21	2	SS-853	SELF TAP SCREW MXx6.0
22	2	SS-886	DIA 2.9x13 PAN HEAD SELF TAP SCREW

### 4. ARM ASSEMBLY eVA (6169000)

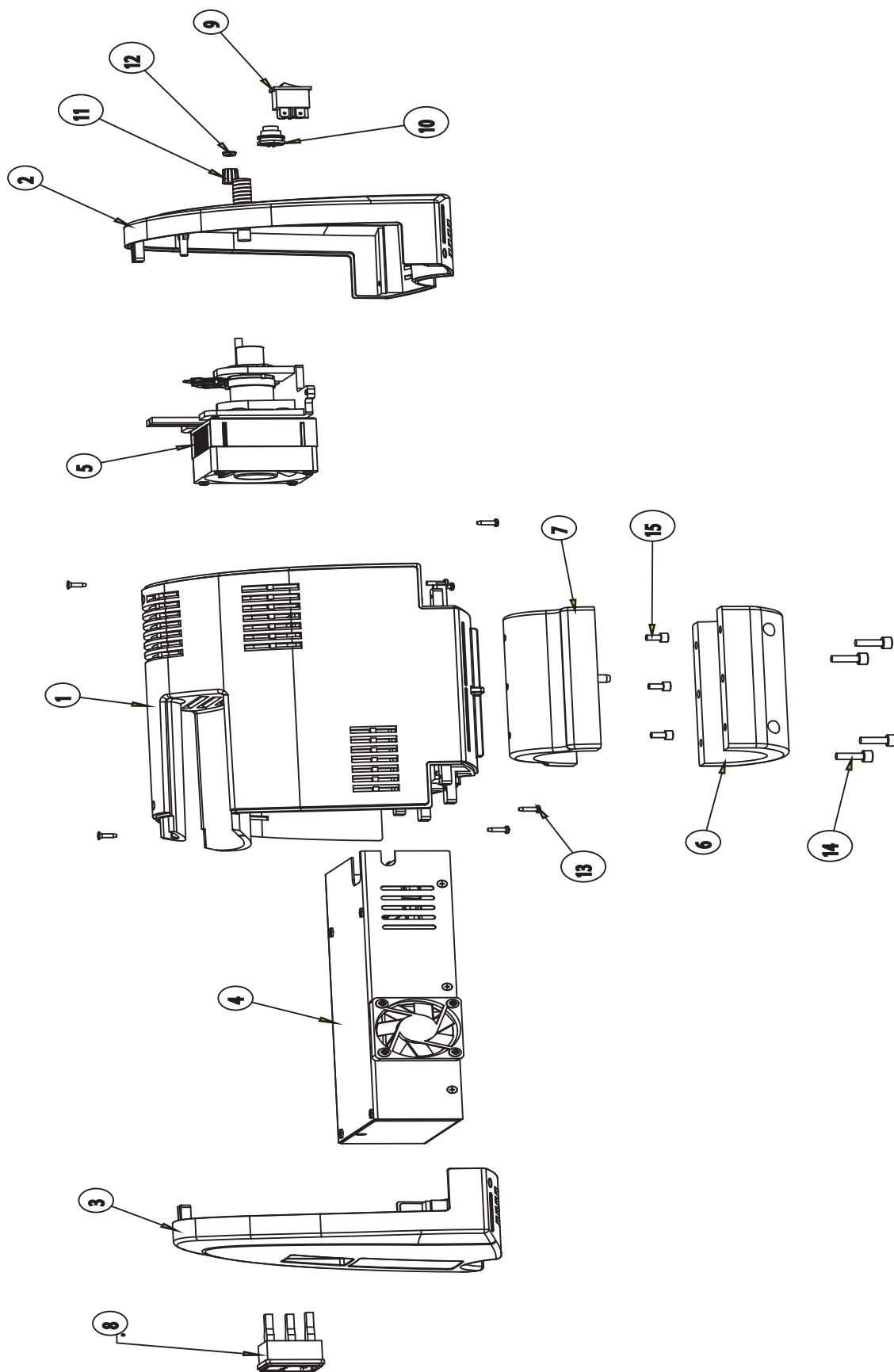




## ARM ASSEMBLY eVA (6169000)

ITEM	QTY.	PART NUMBER	DESCRIPTION
1	1	6168000-162	LOCKING PLUG
2	1	6165000-167	LOCK RING
3	1	6168000-161	BEARING HOUSING
4	1	6168000-163	THREADED BUSH M8.
5	1	6168000-156	VERTICAL SHAFT
6	1	6167500-204	ASSY. LOCKING KNOB
7	1	SS-178	M8x15 SKT HD. SCREW
8	1	6168000-105	STOPPER PIN 5.0mm
9	1	6168000-159	BEARING SHAFT
10	1	8124100-402	COMPRESSION SPRING
11	1	6168000-815	LEFTING KNOB ASSY.
12	2	8124100-415	BEARING LBBR 20
13	1	8124100-408	RETAINING RING
14	1	6168000-158	MOUNT VERTICAL CAGE
15	2	6168000-151	DELTRIN BUSH
16	1	6168000-510	SHORT SWIVEL ARM
17	1	6168000-152	THREADED BUSH M10
18	1	6168000-817	ASSY. LOCKING KNOB
19	1	6168000-167	LOCK RING
20	1	6168000-166	RETAINING WASHER
21	1	6168000-157	DELTRIN NUT
22	1	6168000-504	SHORT SWIVEL ARM
23	1	6168000-165	WASHER
24	1	SKF-6003	BEARING
25	3	SS-657	M3x8 PAN HEAD COLLER
26	3	X54189	M3x6 BUTTON HEAD
27	1	6168000-164	STOPPER
28	1	SS-154	M4x10 SKT. FLAT HEAD
29	1	SS-182	M5x12 SKT. HEAD
30		SS-825	M8x16 SKT. FLAT HEAD

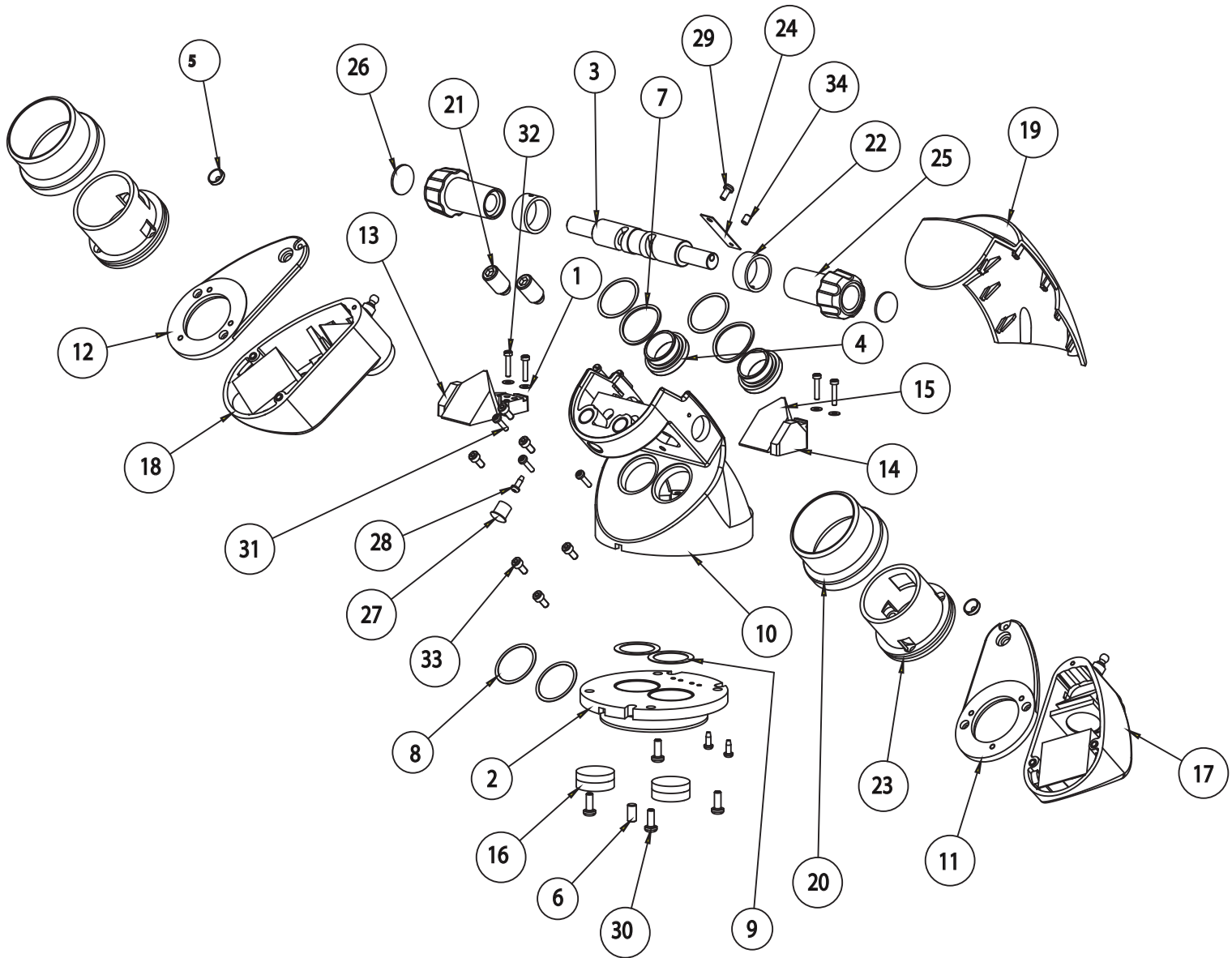
# 5. ILLUMINATION POWER BOX ASSEMBLY



## ILLUMINATION POWER BOX ASSEMBLY

ITEM	QTY.	PART NUMBER	DESCRIPTION
1	1	6168000-205	HOUSING ILLUMINATION BOX
2	1	6168000-209	FRONT PANNEL ILLUMINATION BOX
3	1	6168000-210	BACK COVER ILLUMINATION BOX
4	1	AVT810-000	POWER SUPPLY ASSY.
5	1	6165000-852N	ASSY. ILLUMINATION
6	1	6168000-518	MOUNTING BRACKET TOP
7	1	6168000-857	ASSY. MOUNTING BKT. BOTTOM
8	1	8126000-907	POWER ENTRY MODULE
9	1	8124900-950	ON OFF SWITCH
10	1	8145000-907F	5-PIN CONNT. F 712-420
11	1	2610403	RITEL KNOB 10MM
12	1	3010101	FLAT CAP
13	6	SS-886	M3x10 SELF TAP SCREW
14	4	SS-186	M5x15 SKT HEAD SCREW
15	3	SS-717	M4x12 SKT HEAD SCREW

## 6. BINOCULAR HEAD ASSEMBLY



## BINOCULAR HEAD ASSEMBLY

ITEM	QTY	PART NUMBER	DESCRIPTION
1	4	13X54425	WASHER ID 2.2, OD 5.0
2	1	6121035-101	DOVETAIL INCLIND HEAD
3	1	6121035-103	CAM SHAFT
4	2	6121035-104	CHECK NUT
5	2	6121035-105	SUPPORT BUSH BRASS
6	1	6121035-107	LOCATING PIN
7	2	6121035-301	DISC WASHER
8	4	6121035-302	PLAIN WASHER
9	2	6121035-303	APERTURE PLATE
10	1	6121035-501	INCLIND HOUSING MACHINE
11	1	6121035-503	RH HOUSING COVER MACH
12	1	6121035-505	LH HOUSING COVER MACH
13	1	6121035-506	RH PRISM MOUNT MACH
14	1	6121035-507	LH PRISM MOUNT MACH
15	2	6121035-601	ROOF PRISM
16	2	6121035-701	ASSY.TELE LENS DOUBLET
17	1	6121035-801	RH HOUSING ASSLY
18	1	6121035-802	LH HOUSING ASSLY
19	1	6121035-201M	COVER INCLIND HEAD
20	2	6122015-113	TUBE COVER
21	2	6122015-115	M8x16 SOCKET SET SCREW
22	2	6122015-119	SCALE RING
23	2	6122015-206	OCCULAR TUBE
24	1	6122015-307	DETENT SPRING
25	2	6122015-204M	IPD KNOB
26	2	6122015-205M	DECORATIVE DISC IPD
27	1	8123000-202	DECORATIVE CAP (WHITE)
28	3	SS-304	UNC X3/16" SELF TAP SCREW
29	1	SS-654	M2.5X5.0 PAN HEAD
30	4	SS-659	M3 X 8/PH/PAN/DNA
31	4	SS-701	M2 X 8.5/PH/PAN/DNA/BLACK
32	6	SS-836	M2 X10 SLOTTED PAN HD.SCREW
33	6	SS-893	M2.5X6 SOCKET HD.CAP SCREW
34	1	X54215	M3 X4.0 SOCKET SET SCREW (FLAT POINT)



**Labo America Inc.**  
920 Auburn Court  
Fremont, CA  
94538  
U.S.A.

Phone: 510-445-1257  
Fax: 510-991-9862  
Email: [sales@laboamerica.com](mailto:sales@laboamerica.com)  
[www.laboamerica.com](http://www.laboamerica.com)

**EU|REP.**

**Labomed Europe**  
Essebaan 50  
NL-2908 LK Capelle a/d IJssel  
The Netherlands  
Tel: +31 (0)10 4584222  
Fax: +31 (0)10 4508251  
E-mail: [info@labomedeuropa.com](mailto:info@labomedeuropa.com)



DQS Inc.  
Labo America Inc.  
Registered to ISO 9001:2015  
BR Number 10005565

A16372  ISO 13485:2016

LABOTECH MICROSCOPES INDIA Pvt Ltd