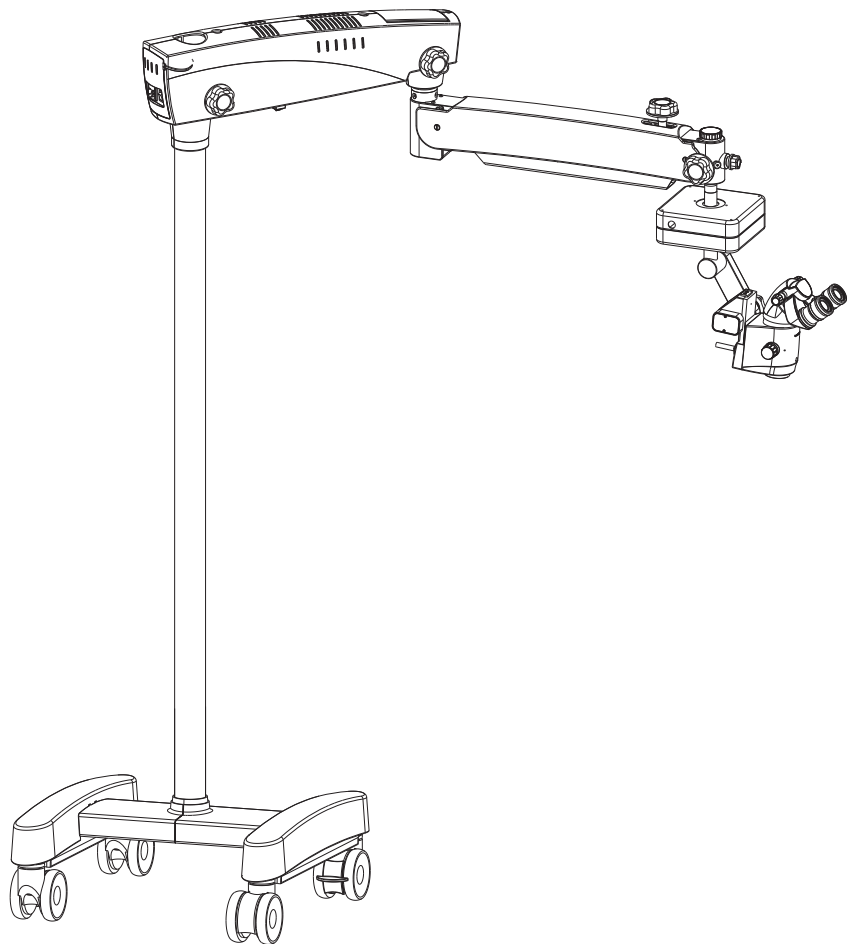


Prima OPH Service / Part List Manual

Operating Surgical Microscopy



To ensure proper use of this instrument as well as to avoid injury while operating instrument, understanding this manual completely before use is highly recommended.

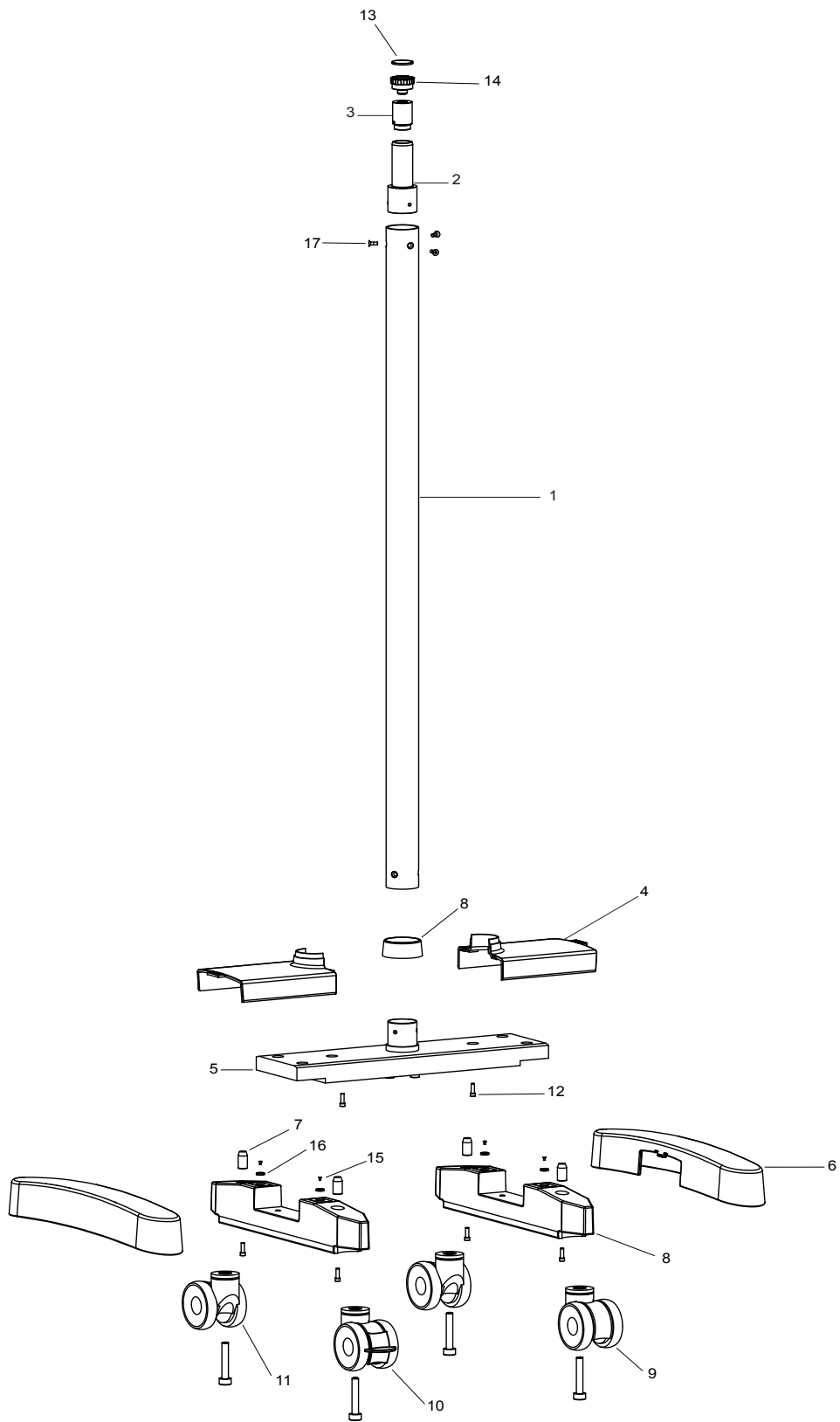
LABOMED Prima OPH

Service / Part List Manual

Contents

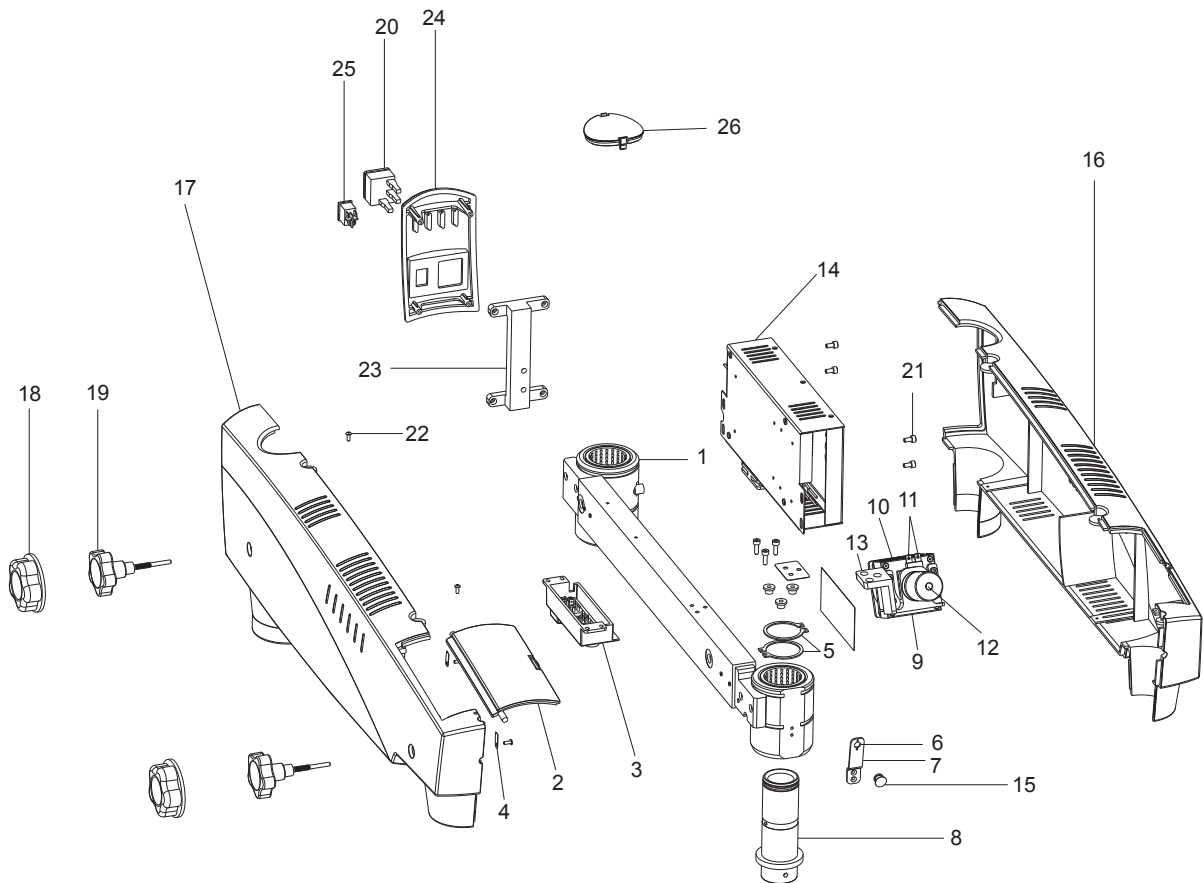
1.0	Base & Column assembly.....	3
2.0	Swivel Arm assembly.....	5
3.0	Suspension arm assembly.....	7
4.0	Long suspension arm assembly.....	9
5.0	X-Y-Z Assembly.....	11
6.0	Z-Axis Assembly.....	13

1.0 Bare & Column Assembly



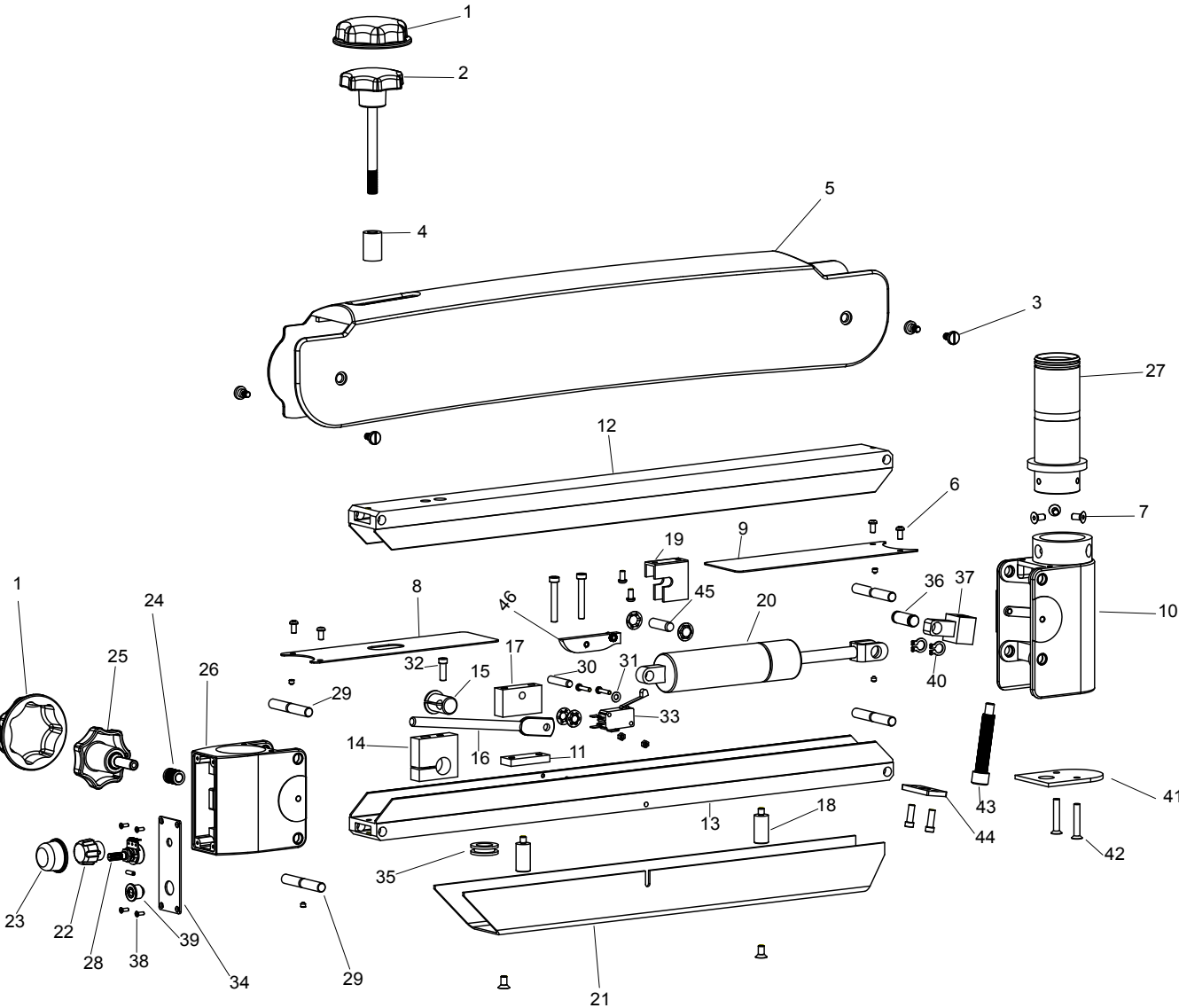
ITEM	PART NUMBER	DESCRIPTION
1	6165000-133	Pillar
2	6134000-131	Rear Shaft
3	6165000-137	Threaded Cap
4	6165000-215M	Cover Center Support
5	6165000-853	Support wheel Carrier Assembly With Guide Plug
6	6165000-854	Wheel Support Cover With Magnet
7	6165000-127	Tapper Pin
8	6165000-164	Tapper Ring
9	6134000-272	Caster Wheel
10	6134000-274	Caster with Lock Break
11	SS-728	M 10x75 Screw
12	SS-176	M5x20 Socket head Screw
13	6165000-207M	Decorative Disc
14	6165000-206M	Threaded Knob
15	SS-716	M3x6 Flat HD Screw
16	6165000-351	Magnut
17	SS-800	M6x16 Socket flat head Screw

2.0 Swivel Arm Assembly



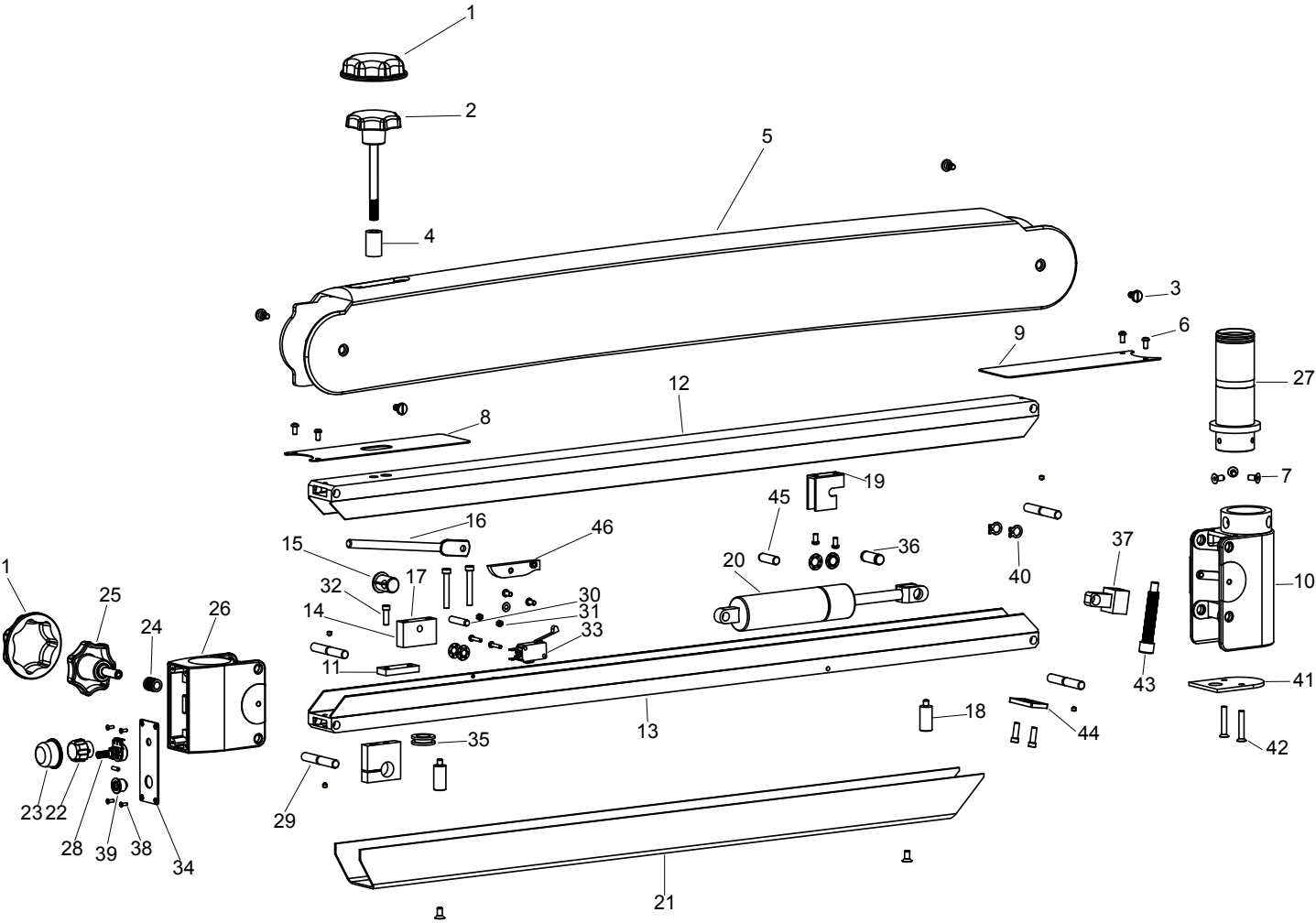
ITEM	PART NUMBER	DESCRIPTION
1	6165000-840	Swivel arm
2	6165000-203	Door
3	6165000-212	Pannel Bracket
4	6165000-326	Hindge clamp
5	6134000-123	Retaining Ring 38mm
6	6165000-943	Assy. front LED with cable
7	6165000-325	Holder front LED
8	6165000-146	Front shaft
9	6165000-512	Bracket illumination
10	6165000-139	Heat sink
11	A6165000-856	LED kit
12	6165000-150	Fibre optic Cable
13	6165000-512	Illumination bracket
14	6165000-936	Power Supply Assy.
15	6165000-166	LED cover
16	6165000-202M	Cover swivel arm (RH)
17	6165000-201M	Cover swivel arm (LH)
18	6168000-216	Sterilizable knob cover
19	6210000-827	Locking knob Assembly
20	8126000-907	AC.1NLET
21	SS717	M4 x12SKT/HD/SS
22	X54346	KA 30x10 PT Oval head screw
23	6165000-511	Bracket back cover
24	6165000-204M	Back cover
25	8124900-950	On/Off switch
26	6165000-205M	Dust cover

3.0 Suspension Arm Assembly



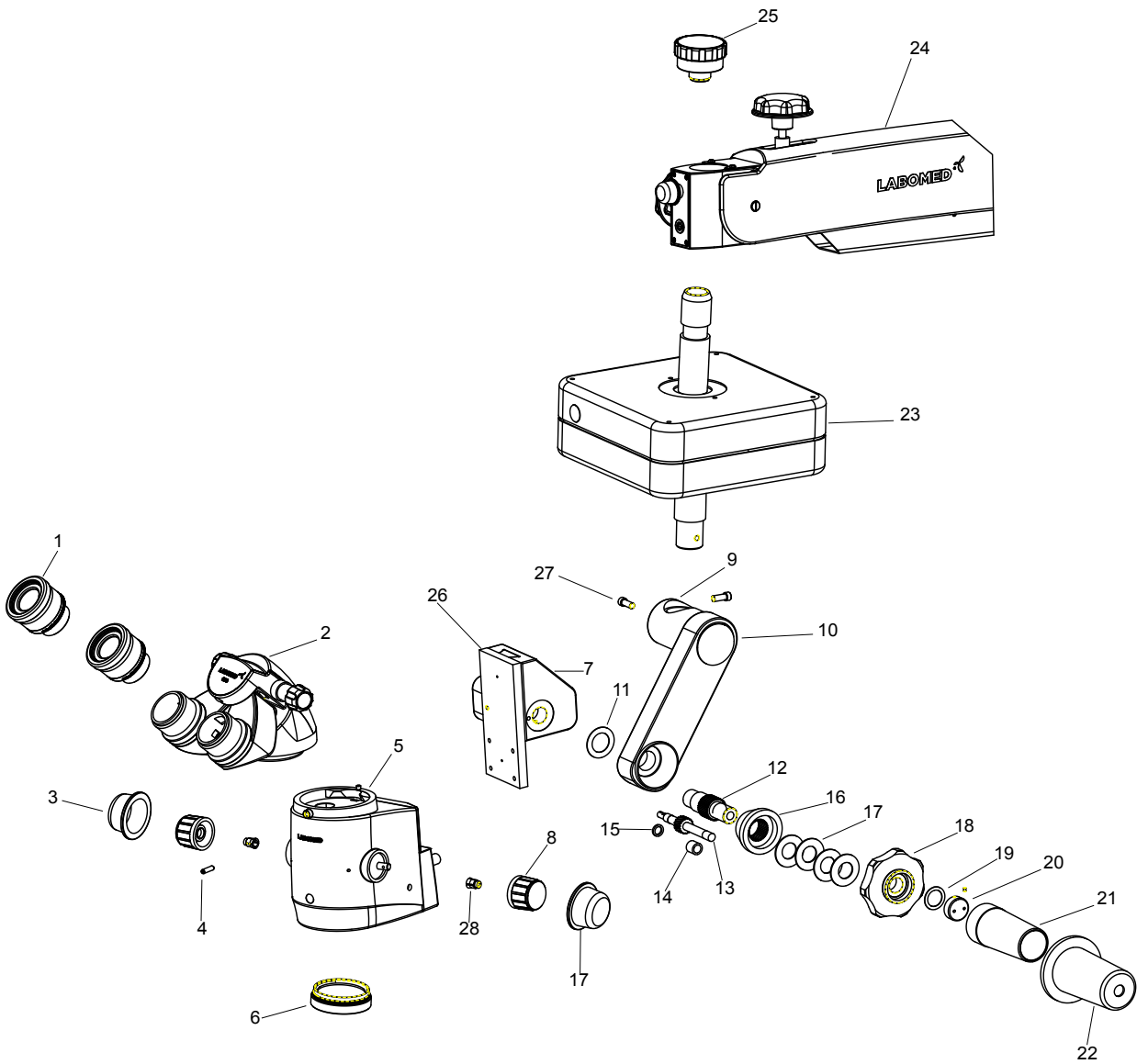
ITEM	PART NUMBER	DESCRIPTION
1	6134000-532	Knob cover small
2	6166000-812	Locking Knob Suspension Arm
3	6134000-263	Seat Screw For Cover
4	6134000-112	Spacer
5	6165000-114	Cover suspension arm
6	SS 665	M4 x 6.4/PAN/8.0 (10.0) DNA
7	SS 183	M5 x 8 SKT. HD
8	6134000-537	Cover front coupling
9	6134000-536	Cover rear coupling
10	6134000-817	Rear coupling With SS Bushes
11	6134000-160	Locking Plate Lever
12	6134000-261	Flexible arm top
13	6134000-260	Flexible arm bottom
14	6165000-859	Clamp bushing With Coil Spring
15	6134000-105	Slited Bush
16	6134000-106	Lever
17	6134000-107	Lever mount
18	6134000-548	Supporting bush
19	6134000-108	Clamp cylinder
20	6134000-109	Gas Cylinder
21	6134000-547	Cable Cover
22	6134000-534	Potentiometer knob
23	6134000-538	Knob cover for Potentiometer knob
24	6165000-152	Treaded Bush
25	6167500-806	Locking Knob Swivel Arm
26	6165000-826	Front Coupling with Bearings
27	6165000-120	Front shaft
28	6134000-915	Potentiometer
29	6134000-114	Hinge Pin
30	6134000-110	Pin Lever (Dia 6)
31	6134000-584	Circlip quick lock benzing 6mm
32	SS-183	M5x15 Socket head cap screw
33	6165000-941	Limit switch
34	6167500-301	Panel Plate
35	6134000-122	Cable Gland
36	6134000-255	Cylinder Huge pin
37	6134000-117	Tension Adjustment Nut
38	SS-668	M2-5X5 CSK screw
39	6134100-911	Connector
40	6134000-592	Retaining Ring 10mm
41	6134000-118	Bottom Cover Rear Coupling
42	SS-641	Screw M5X30 CSK
43	6134000-478	Tension Adjusting screw
44	6134000-119	Locking Plate Tension Adjustment
45	6134000-111	Cylinder Support Pin Dia 8
46	6134000-113	Stoper Limit Switch

4.0 Long Suspension Arm Assembly



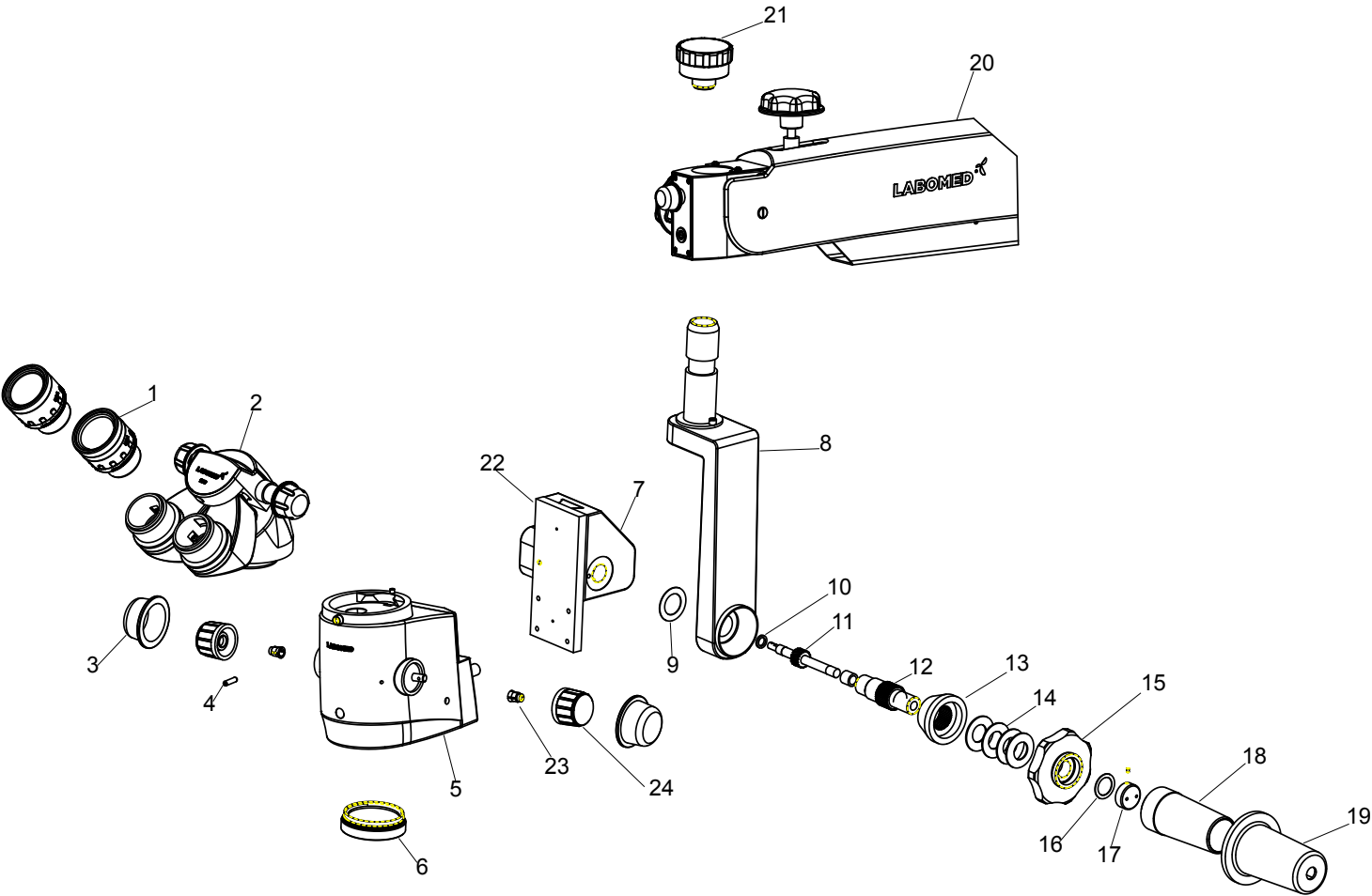
ITEM	PART NUMBER	DESCRIPTION
1	6134000-532	Knob cover small
2	6166000-812	Locking Knob Suspension Arm
3	6134000-263	Seat screw for cover
4	6134000-112	Spacer
5	6137400-201	Cover suspension arm
6	SS 665	M4 x 6.4/PAN/8.0 (10.0) DNA
7	SS 183	M5 x 8 SKT. HD
8	6134000-537	Cover front coupling
9	6134000-536	Cover rear coupling
10	6134000-817	Rear coupling With SS Bushes
11	6134000-160	Locking Plate Lever
12	6137400-261	Long Flexible arm top
13	6137400-260	Long Flexible arm bottom
14	6165000-859	Clamp bushing With Coil Spring
15	6134000-105	Slitted Bush
16	6134000-106	Lever
17	6134000-107	Lever mount
18	6134000-548	Supporting bush
19	6134000-108	Clamp cylinder
20	6134000-109	Gas Cylinder
21	6137400-302	Cable Cover
22	6134000-534	Potentiometer knob
23	6134000-538	Knob cover for Potentiometer knob
24	6165000-152	Threaded Bush
25	6167500-806	Locking Knob Swivel Arm
26	6165000-826	Front Coupling With Bushes
27	6165000-120	Front shaft
28	6134000-915	Potentiometer
29	6134000-114	Hinge Pin
30	6134000-110	Pin Lever (Dia 6)
31	6134000-584	Circlip quick lock benzing 6mm
32	SS-183	M5x15 Socket head cap screw
33	6165000-941	Limit switch
34	6167500-301	Panel Plate
35	6134000-122	Cable Gland
36	6134000-255	Cylinder Huge pin
37	6134000-117	Tension Adjustment Nut
38	SS-668	M2-5X5 CSK screw
39	6134100-911	Connector
40	6134000-592	Retaining Ring 10mm
41	6134000-118	Bottom Cover Rear Coupling
42	SS-641	Screw M5X30 CSK
43	6134000-478	Tension Adjusting screw
44	6134000-119	Locking Plate Tension Adjustment
45	6134000-111	Cylinder Support Pin Dia 8
46	6134000-113	Stoper Limit Switch

5.0 X-Y-Z Assembly



ITEM	PART NUMBER	DESCRIPTION
1	4140011N	Eyepiece 10x
2	6121035	Inclined Head
3	6168000-219	Silicon Cover Magnichanger Knob
4	6133000-857	Head Locking Screw
5	6133000-802	Magnichanger OPH
6	6165200-800	Fix CMO 200mm
7	6136000-116	Motor Housing
8	612086-457	Magnichanger knob
9	612086-701	Arm Holder Z-axis
10	6136000-827	Link with Taper bush
11	6136000-301	Plain Washer
12	6136000-119	Spline Shaft
13	6136000-121	Pinion Z-axis
14	6136000-120	Spacer for Pinion
15	6136000-123	Washer for pinion
16	6136000-118	Taper Bush with Gear
17	6136000-351	Disc Spring
18	6136000-133	Tension Adjustment Knob
19	6136000-302	Teflon Washer
20	6136000-124	Check nut
21	6136000-134	Handle
22	612086-711	Handle Cover
23	6165000-862	X-Y Assembly
24	6138000-815	Suspension Arm Prima
25	6165000-206	Threaded Knob
26	6136000-803	Assy. Dovetail Slide with Rack
27	SS - 182	M5x12 Skt. HI
28	612086-459	Collet for knob

6.0 Z- Axis Assembly



ITEM	PART NUMBER	DESCRIPTION
1	4140011N	Eyepiece 10x
2	6121035	Inclined Head
3	6168000-219	Silicon Cover Mag Knob
4	6133000-857	Head Locking Screw
5	6133000-802	Magnichanger OPH
6	6165200-800	Fix CMO 200mm
7	6136000-116	Motor Housing
8	6136000-808	Bracket with vertical shaft
9	6136000-301	Plain Washer
10	6136000-123	Washer for pinion
11	6136000-121	Pinion Z-axis
12	6136000-119	Spline Shaft
13	6136000-118	Taper bush with gear
14	6136000-351	Disc Spring
15	6136000-133	Tension Adjustment Knob
16	6136000-302	Teflon Washer
17	6136000-124	Check nut
18	6136000-134	Handle
19	612086-711	Handle cover
20	6138000-815	Suspension Arm Prima
21	6165000-206	Threaded Knob
22	6136000-803	Assy. Dovetail Slide with Rack
23	612086-459	Collet for knob
24	612086-457	Magnicharger Knob



www.laboamerica.com

Our policy is one of continuous development. Labo America, Inc., reserves the right to change design and specifications without prior notice.

Labo America Inc.
920 Auburn Court
Fremont
CA 94538

U.S.A.
Telephone: 510 445 1257
Fax: 510 991 9862
sales@laboamerica.com



LABOMED and Prima DNT are registered trademarks of Labo America, Inc.
With a policy of continuous development, Labo America, Inc. reserves the right to change design and specifications without prior notice.

© 2011 Labo America, Inc. | 6138000-990A 04-2011

ISO 9001 : 2008
File No. A9020