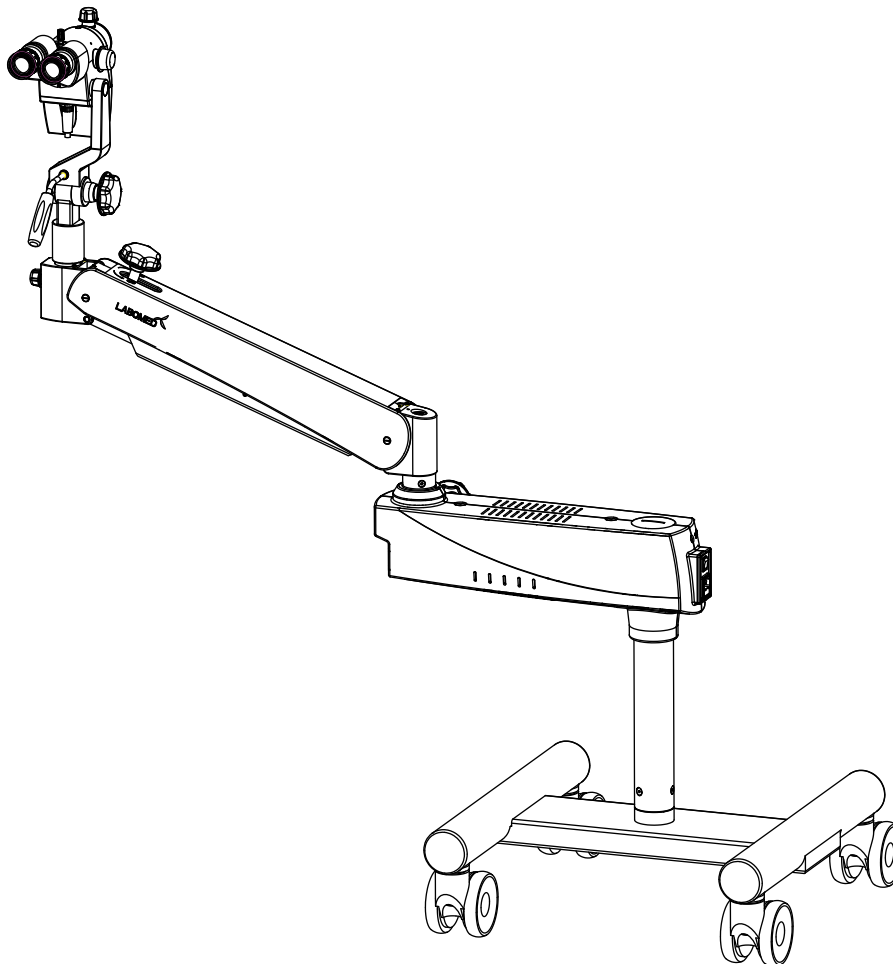


# PRIMA CS

## Service/ Part List Manual

### Operating Surgical Microscopy

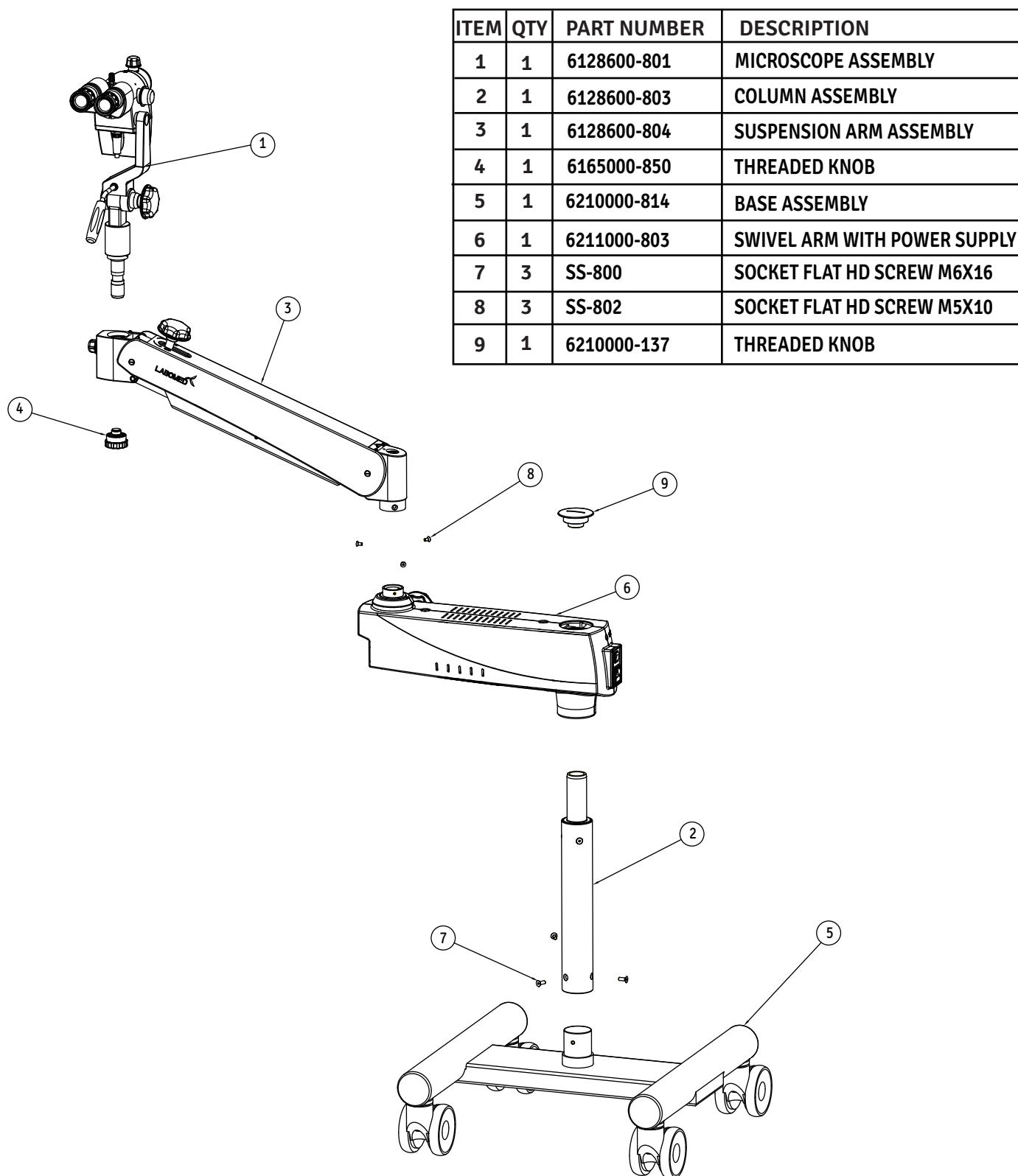


To ensure proper use of this instrument as well as to avoid injury while operating instrument, understanding this manual Completely before use is highly recommended.

# CONTENTS

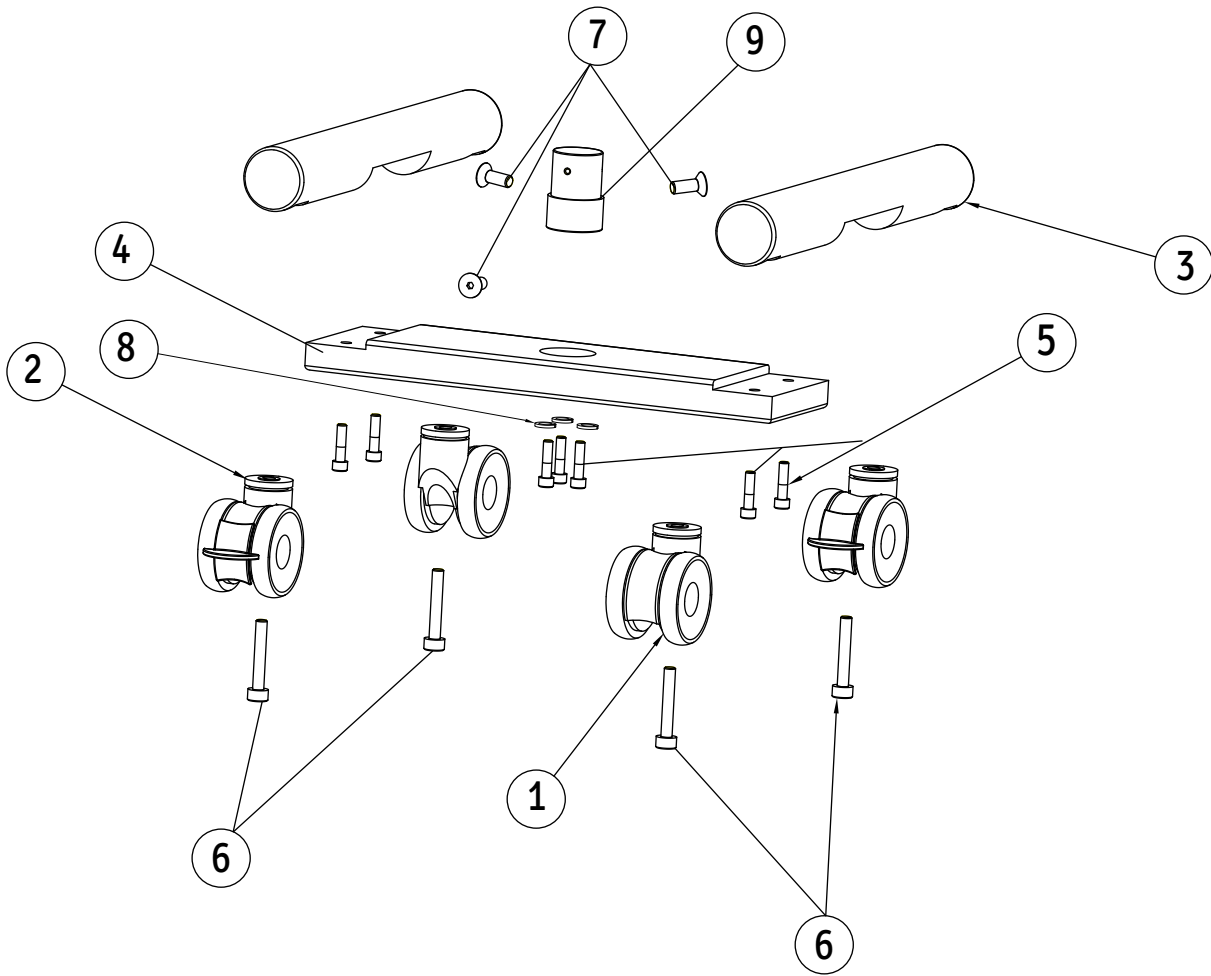
|   |           |
|---|-----------|
| <b>1. Assembly Prima CS</b>                 | <b>1</b>  |
| <b>2. Base Assembly Prima CS</b>            | <b>2</b>  |
| <b>3. Swivel Arm Assembly Prima CS</b>      | <b>3</b>  |
| <b>4. Suspension Arm Assembly Prima CS</b>  | <b>4</b>  |
| <b>5. Carrier Assembly Prima CS</b>         | <b>5</b>  |
| <b>6. Microscope Assembly Prima CS</b>      | <b>6</b>  |
| <b>7. Magnichanger Assembly Prima Cs</b>    | <b>8</b>  |
| <b>8. Filter Change Assembly Prima Cs</b>   | <b>9</b>  |
| <b>9. LED and Head Assembly Prima CS</b>    | <b>10</b> |
| <b>10. Condenser Lens Assembly Prima CS</b> | <b>11</b> |
| <b>11. CMO Assembly Prima CS</b>            | <b>12</b> |

# 1. ASSEMBLY PRIMA CS (6128600)



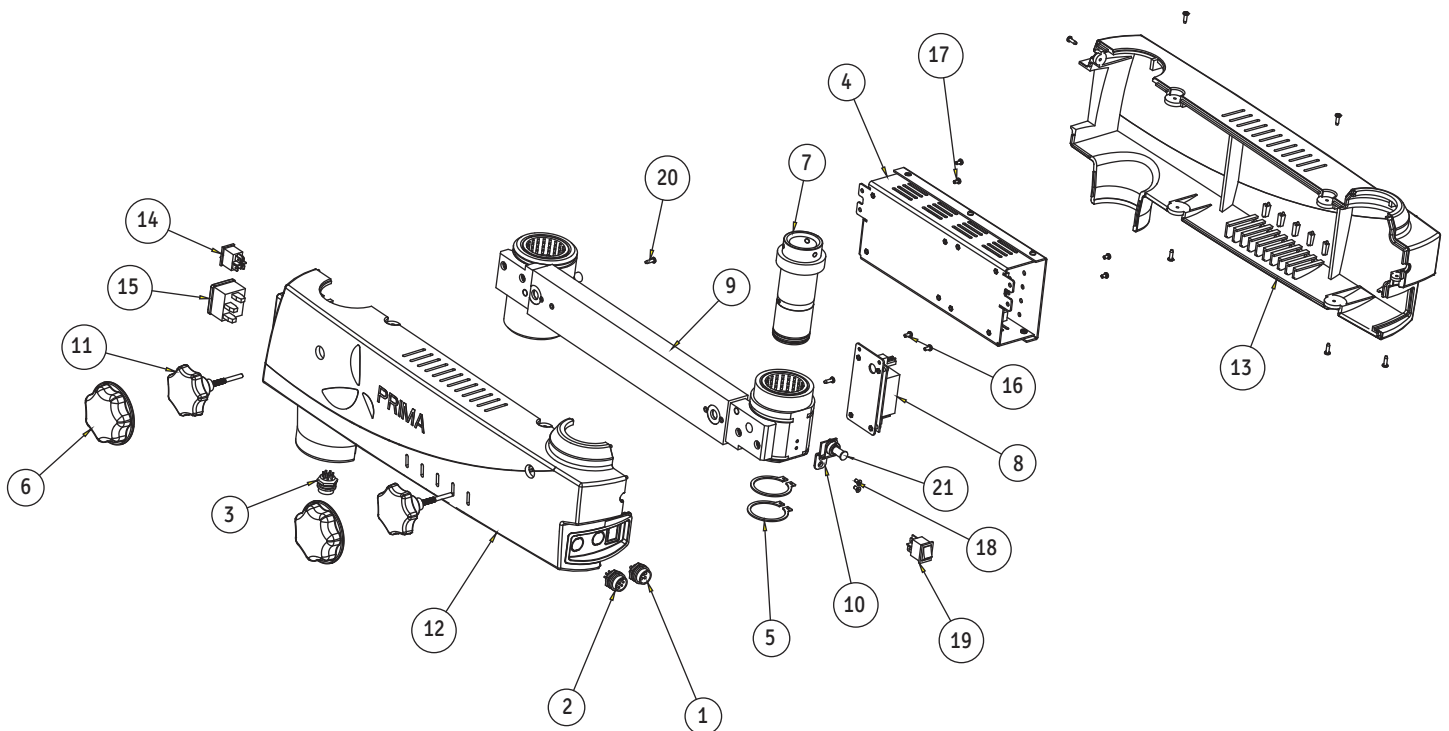
| ITEM | QTY | PART NUMBER | DESCRIPTION                  |
|------|-----|-------------|------------------------------|
| 1    | 1   | 6128600-801 | MICROSCOPE ASSEMBLY          |
| 2    | 1   | 6128600-803 | COLUMN ASSEMBLY              |
| 3    | 1   | 6128600-804 | SUSPENSION ARM ASSEMBLY      |
| 4    | 1   | 6165000-850 | THREADED KNOB                |
| 5    | 1   | 6210000-814 | BASE ASSEMBLY                |
| 6    | 1   | 6211000-803 | SWIVEL ARM WITH POWER SUPPLY |
| 7    | 3   | SS-800      | SOCKET FLAT HD SCREW M6X16   |
| 8    | 3   | SS-802      | SOCKET FLAT HD SCREW M5X10   |
| 9    | 1   | 6210000-137 | THREADED KNOB                |

## 2. BASE ASSEMBLY PRIMA CS (6210000-814)



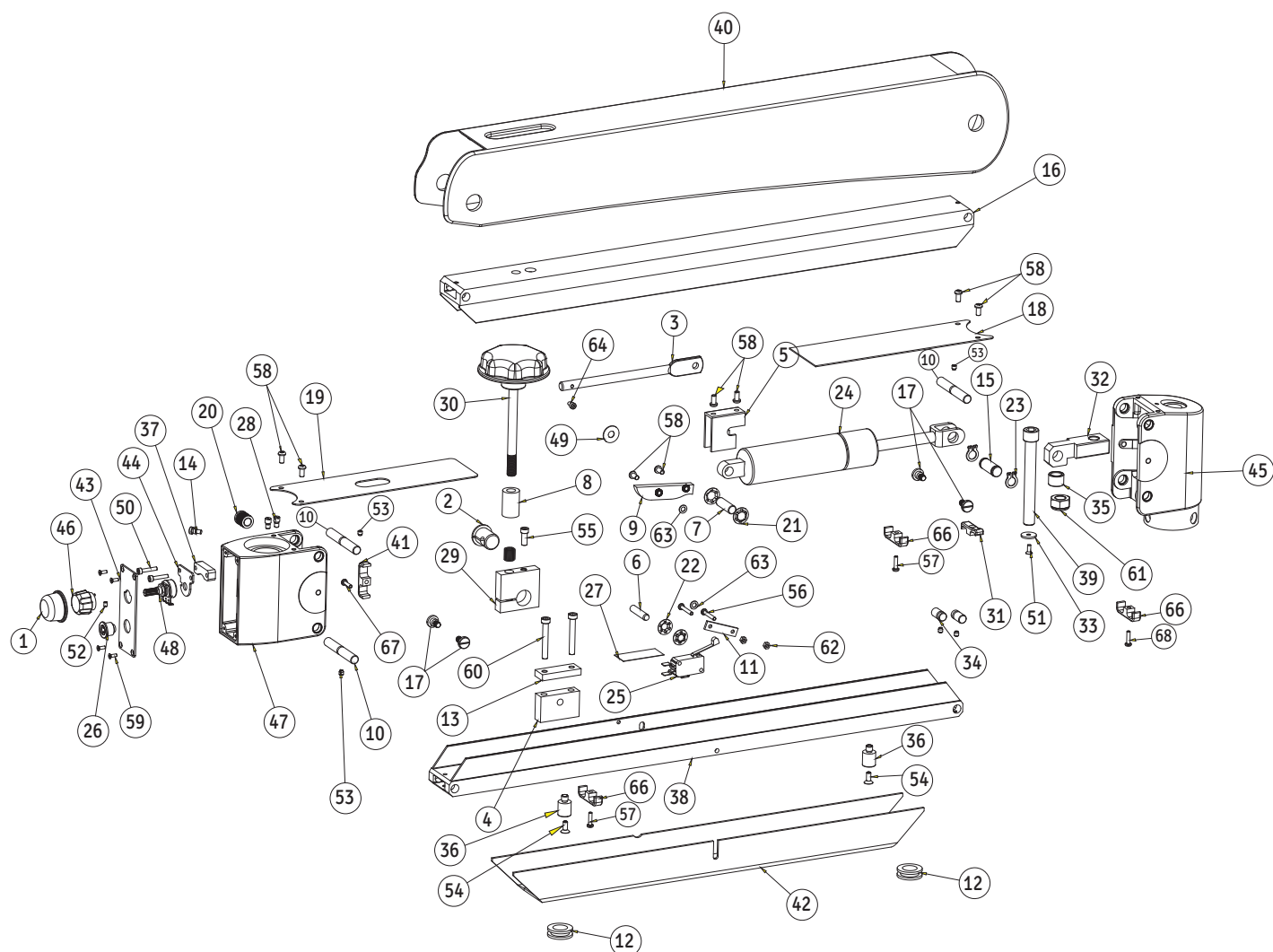
| ITEM | QTY | PART NUMBER | DESCRIPTION                       |
|------|-----|-------------|-----------------------------------|
| 1    | 2   | 6134000-272 | CASTER WHEEL WITHOUT LOCK         |
| 2    | 2   | 6134000-274 | CASTER WHEEL WITH LOCK            |
| 3    | 2   | 6210000-823 | WHEEL CARRIER BASE SUB ASSEMBLY   |
| 4    | 1   | 6210000-519 | SUPPORT WHEEL CARRIER             |
| 5    | 7   | SS-707      | M10 X 40 ALLEN BOLT               |
| 6    | 4   | SS-728      | M12 X 75 SKT. HEAD CAP SCREW (SS) |
| 7    | 3   | SS-800      | M6 X 16 CSK SCEW                  |
| 8    | 3   | SS-722      | FLAT WASHER BBNM10                |
| 9    | 1   | 6165000-153 | GUIDE PLUG                        |

### 3. SWIVEL ARM ASSEMBLY PRIMA CS (6211000-803)



| ITEM | QTY | PART NUMBER  | DESCRIPTION                        |
|------|-----|--------------|------------------------------------|
| 1    | 1   | 612086-917F  | 4-PIN-CONNECTOR-F                  |
| 2    | 1   | 612086-918F  | 7-PIN-CONNECTOR-F                  |
| 3    | 1   | 612086-919F  | 9-PIN-CONNECTOR-F                  |
| 4    | 1   | 6128000-950  | POWER SUPPLY ASSEMBLY              |
| 5    | 2   | 6134000-123  | RETAINING RING DIA 38              |
| 6    | 2   | 6168000-216M | COVER LOCKING KNOB                 |
| 7    | 1   | 6210000-146  | FRONT SHAFT                        |
| 8    | 1   | 6210000-809  | Z-AXIS POWER SUPPLY ASSEMBLY       |
| 9    | 1   | 6210000-811  | SWIVEL ARM ASSEMBLY                |
| 10   | 1   | 6210000-825  | INDICATOR LED ASSEMBLY             |
| 11   | 2   | 6210000-827  | LOCKING KNOB ASSEMBLY              |
| 12   | 1   | 6210000-201M | SWIVEL ARM COVER LH                |
| 13   | 1   | 6210000-202M | SWIVEL ARM COVER RH                |
| 14   | 1   | 8124900-950  | ON/OFF SWITCH                      |
| 15   | 1   | 8126000-907  | POWER ENTRY MODULE                 |
| 16   | 2   | SS-658       | PAN HD. SCREW M3X6.0               |
| 17   | 4   | SS-664       | M3 X 5/PH/PAN/DNA                  |
| 18   | 2   | X54206       | M3X 6 CSK FLAT HD SCREW            |
| 19   | 1   | WSWT20024    | ON/OFF SWITCH                      |
| 20   | 8   | X54346       | DIA 2.9X13 PAN HEAD SELF TAP SCREW |
| 21   | 1   | 6165000-132  | LED COVER                          |

## 4. SUSPENSION ARM ASSEMBLY PRIMA CS (6128600-804)

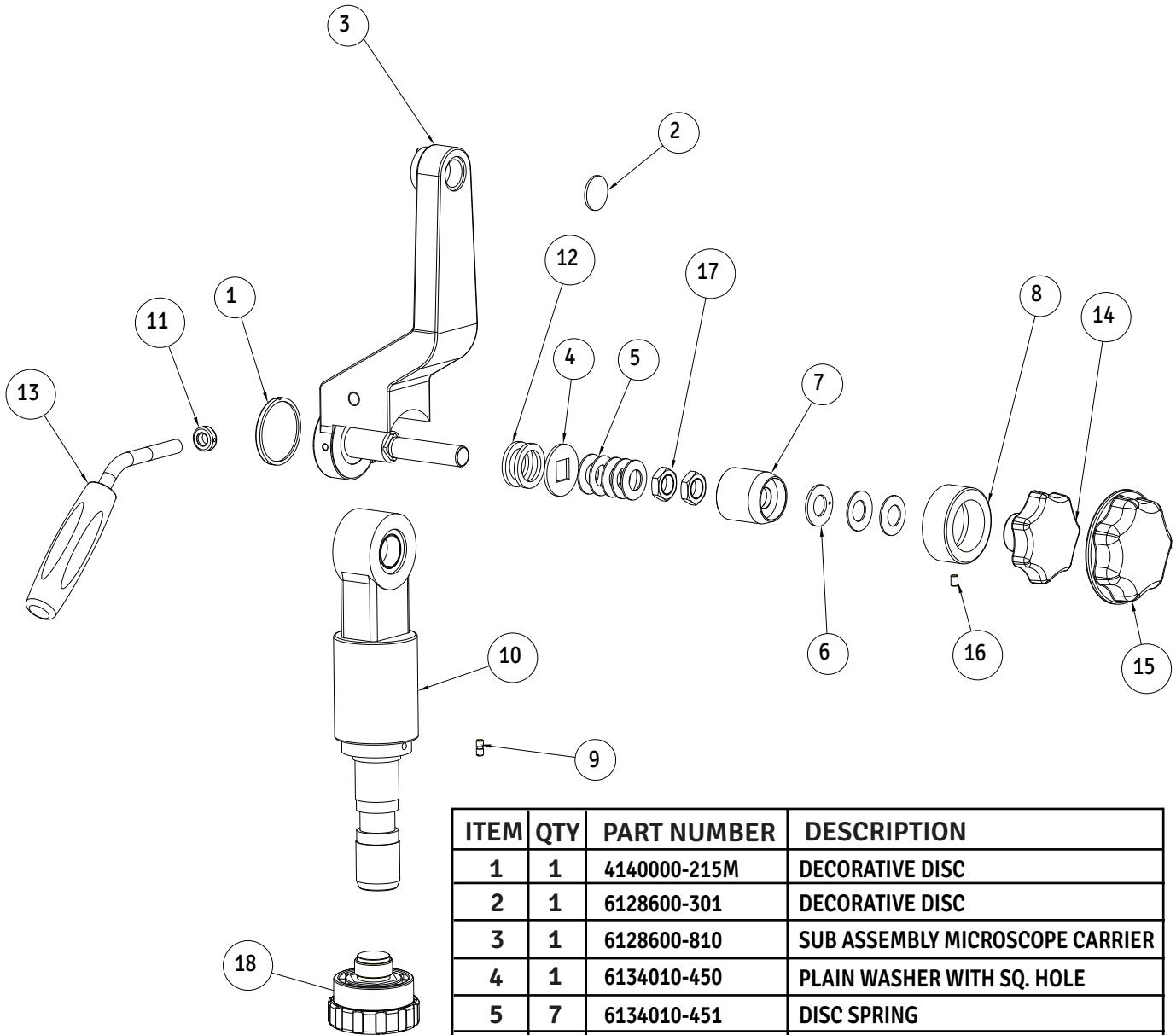


| ITEM | QTY | PART NUMBER  | DESCRIPTION                |
|------|-----|--------------|----------------------------|
| 1    | 1   | 6122015-210M | SILICON COVER              |
| 2    | 1   | 6134000-105  | SLITTED BUSH               |
| 3    | 1   | 6134000-106  | LEVER                      |
| 4    | 1   | 6134000-107  | LEVER MOUNT                |
| 5    | 1   | 6134000-108  | CLAMP CYLINDER             |
| 6    | 1   | 6134000-110  | PIN LEVER DIA 6            |
| 7    | 1   | 6134000-111  | CYLINDER SUPPORT PIN DIA 8 |
| 8    | 1   | 6134000-112  | SPACER                     |
| 9    | 1   | 6134000-113  | STOP LIMIT SWITCH          |
| 10   | 4   | 6134000-114  | GROOVED HINGE PIN          |
| 11   | 1   | 6134000-116  | LIMITS SWITCH CLAMP        |
| 12   | 2   | 6134000-122  | CABLE GLAND                |
| 13   | 1   | 6134000-160  | LOCKING PLATE LEVER        |
| 14   | 1   | 6134000-165  | SAFETY SCREW               |
| 15   | 1   | 6134000-255  | CYLINDER HINGE PIN         |

| ITEM | QTY | PART NUMBER  | DESCRIPTION                     |
|------|-----|--------------|---------------------------------|
| 16   | 1   | 6134000-261  | FLEXIBLE ARM TOP                |
| 17   | 4   | 6134000-263  | SEAT SCREW COVER                |
| 18   | 1   | 6134000-536  | COVER REAR COUPLING             |
| 19   | 1   | 6134000-537  | COVER FRONT COUPLING            |
| 20   | 1   | 6134000-551  | THREADED BUSH M12X14            |
| 21   | 2   | 6134000-580  | CIRCLIP QUICK LOCK BENZING 8mm  |
| 22   | 2   | 6134000-584  | CIRCLIP QUICK LOCK BENZING 6mm  |
| 23   | 2   | 6134000-592  | RETAINING RING 10mm             |
| 24   | 1   | 6134000-109M | GAS CYLINDER (1100N)            |
| 25   | 1   | 6134000-914  | LIMIT SWITCH                    |
| 26   | 1   | 6134100-911  | 2-PIN CONNECTOR                 |
| 27   | 1   | 6165000-336  | INSULATION SHEET                |
| 28   | 2   | 6165000-405  | STOPPER SCREW                   |
| 29   | 1   | 6165000-859  | SUB ASSEMBLY CLAMP BUSHING      |
| 30   | 1   | 6166000-812  | LOCKING KNOB SUSPENSION ARM     |
| 31   | 1   | 6167500-205M | WIRE CLAMP                      |
| 32   | 1   | 6210000-101  | TENSION ADJUSTING NUT           |
| 33   | 1   | 6210000-102  | SS WASHER                       |
| 34   | 2   | 6210000-114  | GROOVED HINGE PIN SMALL         |
| 35   | 1   | 6210000-136  | SS BUSH                         |
| 36   | 2   | 6210000-138  | SUPPORTING BUSH                 |
| 37   | 1   | 6210000-143  | PACKING POTENTIOMETER KNOB      |
| 38   | 1   | 6210000-162  | FLEXIBLE ARM BOTTOM             |
| 39   | 1   | 6210000-166  | M10X70 ALLEN BOLT               |
| 40   | 1   | 6210000-204  | COVER SUSPENSION ARM            |
| 41   | 1   | 6167500-205  | CABLE CLAMP                     |
| 42   | 1   | 6210000-303  | CABLE COVER                     |
| 43   | 1   | 6210000-304  | PANNEL PLATE                    |
| 44   | 1   | 6210000-307  | BRACKET POTENTIOMETER KNOB      |
| 45   | 1   | 6210000-810  | SUB ASSEMBLY REAR COUPLING      |
| 46   | 1   | 6210000-815  | SUB ASSLY POTENTIOMETER KNOB    |
| 47   | 1   | 6210000-820  | SUB ASSLY FRONT COUPLING        |
| 48   | 1   | 6210000-903  | POTENTIOMETER                   |
| 49   | 1   | 8124400-301  | TEFLON WASHER                   |
| 50   | 2   | FS-136       | M3x16 SOCKET HEAD CAP SCREW     |
| 51   | 1   | SS-125       | M3x8 CSK SCREW                  |
| 52   | 1   | SS-131       | M3 X 4 /SKT.SET                 |
| 53   | 5   | SS-143       | SOCKET SET SCREW M4x4           |
| 54   | 2   | SS-154       | SOCKET FLAT HD SCREW M4x10      |
| 55   | 1   | SS-182       | M5x12 SOCKET HEAD CAP SCREW     |
| 56   | 2   | SS-190       | M3x20 PAN HD SCREW              |
| 57   | 2   | SS-661       | M3 X 12/PH/PAN/DNA              |
| 58   | 8   | SS-665       | M4x8 PAN HEAD                   |
| 59   | 4   | SS-668       | M2.5x7.0 FLAT HD SCREW          |
| 60   | 2   | SS-803       | SOCKET HEAD CAP SCREW M5x35     |
| 61   | 1   | SS-907       | HAX. NUT M10X1.0                |
| 62   | 2   | X52222       | M3 HEX. NUT                     |
| 63   | 2   | X54223       | SS WASHER ID 4.2xOD 8.6x0.5 THK |
| 64   | 1   | X55991       | M3x6.0 SOCKET HD. CAP SCREW     |
| 65   | 1   | X54346       | M3 X 12 SKT HD                  |

| ITEM | QTY | PART NUMBER | DESCRIPTION |
|------|-----|-------------|-------------|
| 66   | 3   | 6210000-205 | WIRE CLAMP  |
| 67   | 1   | SS-659      | SCREW       |
| 68   | 1   | X54246      | SCREW       |

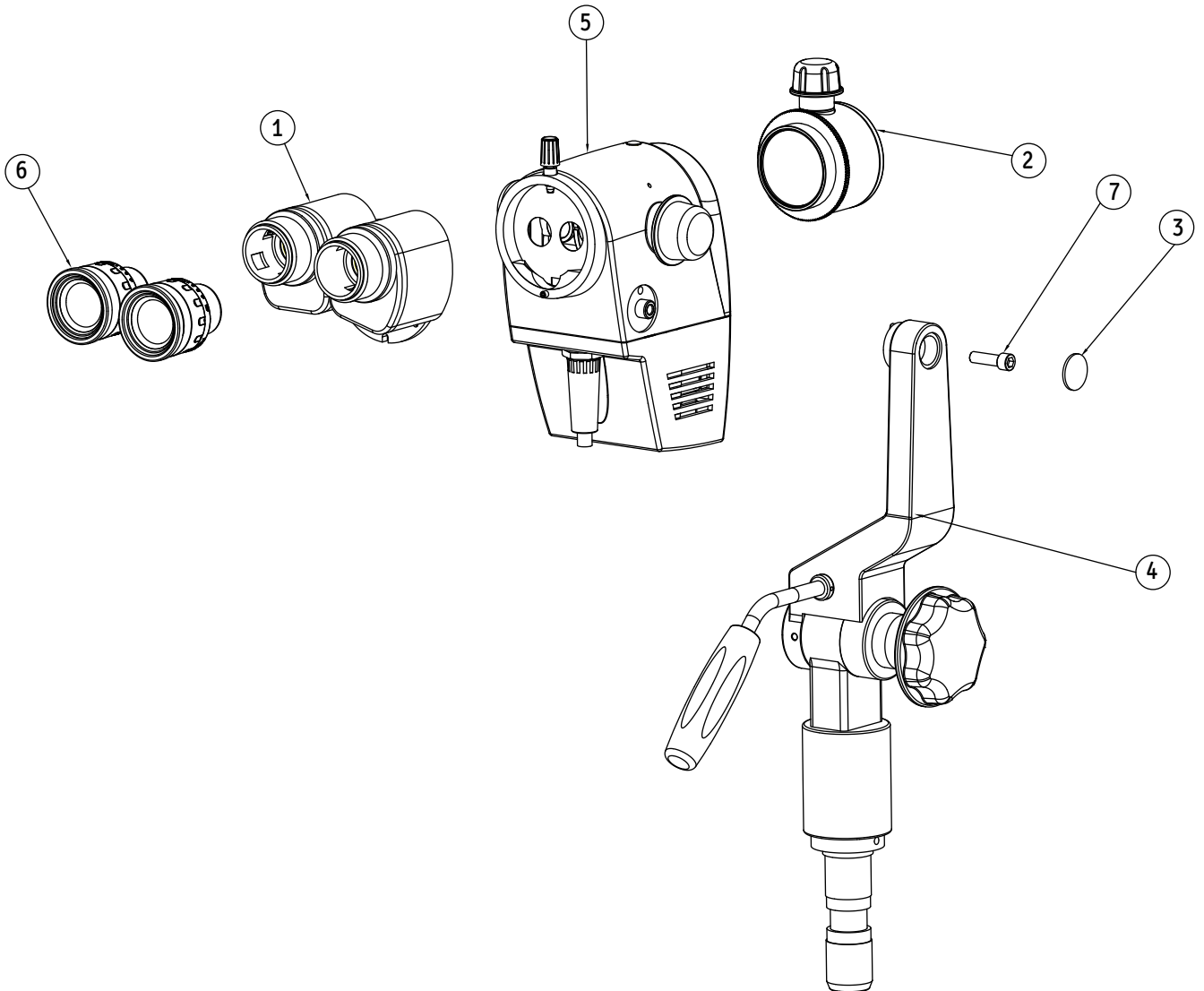
# 5. CARRIER ASSEMBLY PRIMA CS (6128600-805)



| ITEM | QTY | PART NUMBER  | DESCRIPTION                     |
|------|-----|--------------|---------------------------------|
| 1    | 1   | 4140000-215M | DECORATIVE DISC                 |
| 2    | 1   | 6128600-301  | DECORATIVE DISC                 |
| 3    | 1   | 6128600-810  | SUB ASSEMBLY MICROSCOPE CARRIER |
| 4    | 1   | 6134010-450  | PLAIN WASHER WITH SQ. HOLE      |
| 5    | 7   | 6134010-451  | DISC SPRING                     |
| 6    | 1   | 6134010-453  | WASHER S.S. FC                  |
| 7    | 1   | 6134010-455  | WASHER HOUSING                  |
| 8    | 1   | 6165000-008  | COVER WASHER HOUSING            |
| 9    | 1   | 6165000-405  | STOPPER SCREW                   |
| 10   | 1   | 6165000-836  | SUB ASSEMBLY LOWER BRACKET      |
| 11   | 1   | 6168000-117  | CHECK NUT MB                    |
| 12   | 2   | 6168000-119  | BRASS WASHER                    |
| 13   | 1   | 6168000-850  | HANDLE ASSEMBLY                 |
| 14   | 1   | 6168000-215M | LOCKING KNOB                    |
| 15   | 1   | 6168000-216M | COVER LOCKING KNOB              |
| 16   | 1   | SS-153       | M4 X 6 / GRB/ UB                |
| 17   | 2   | SS-729       | HEX. NUT M12                    |
| 18   | 1   | 6165000-850  | THREADED KNOB                   |

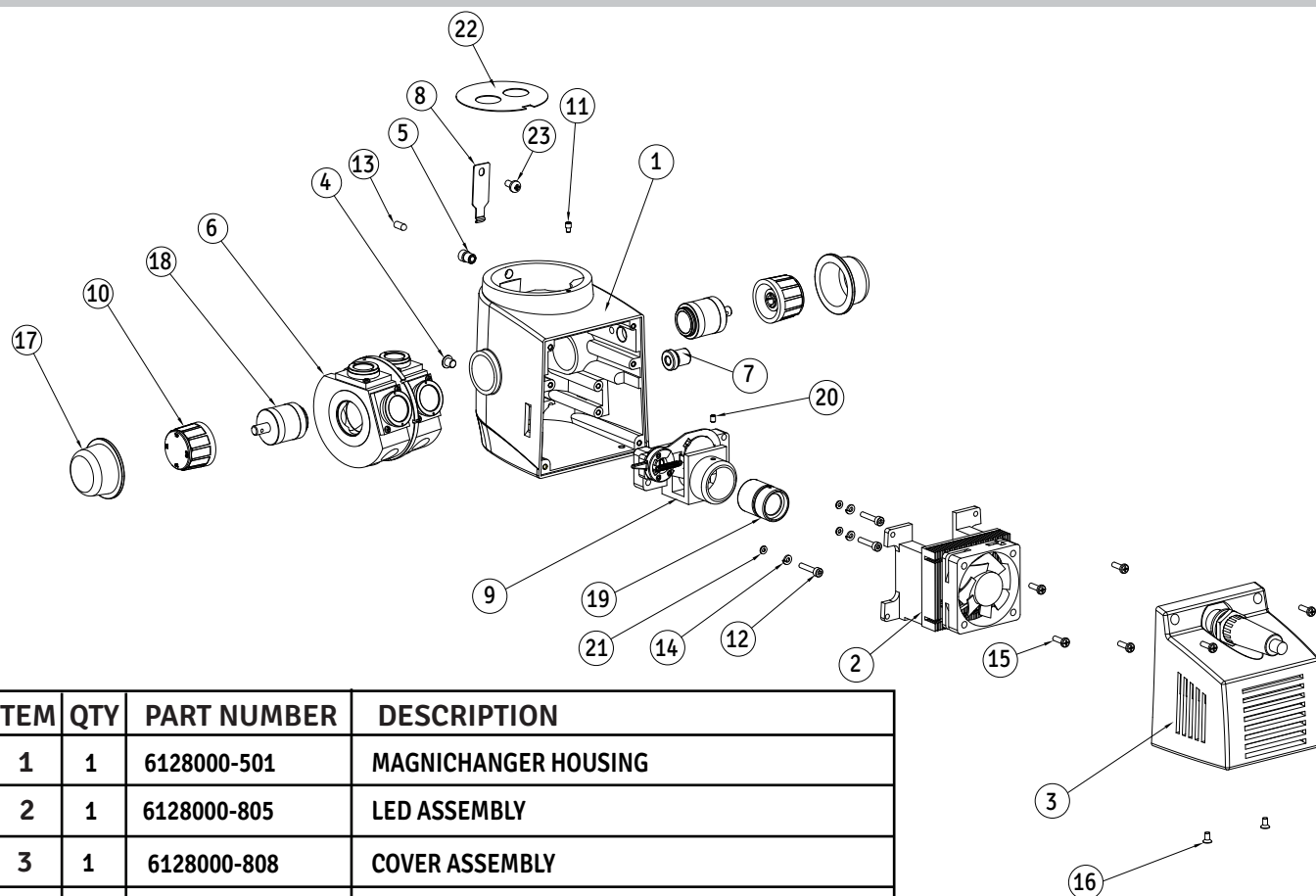


## 6. MICROSCOPE ASSEMBLY PRIMA CS (6128600-801)



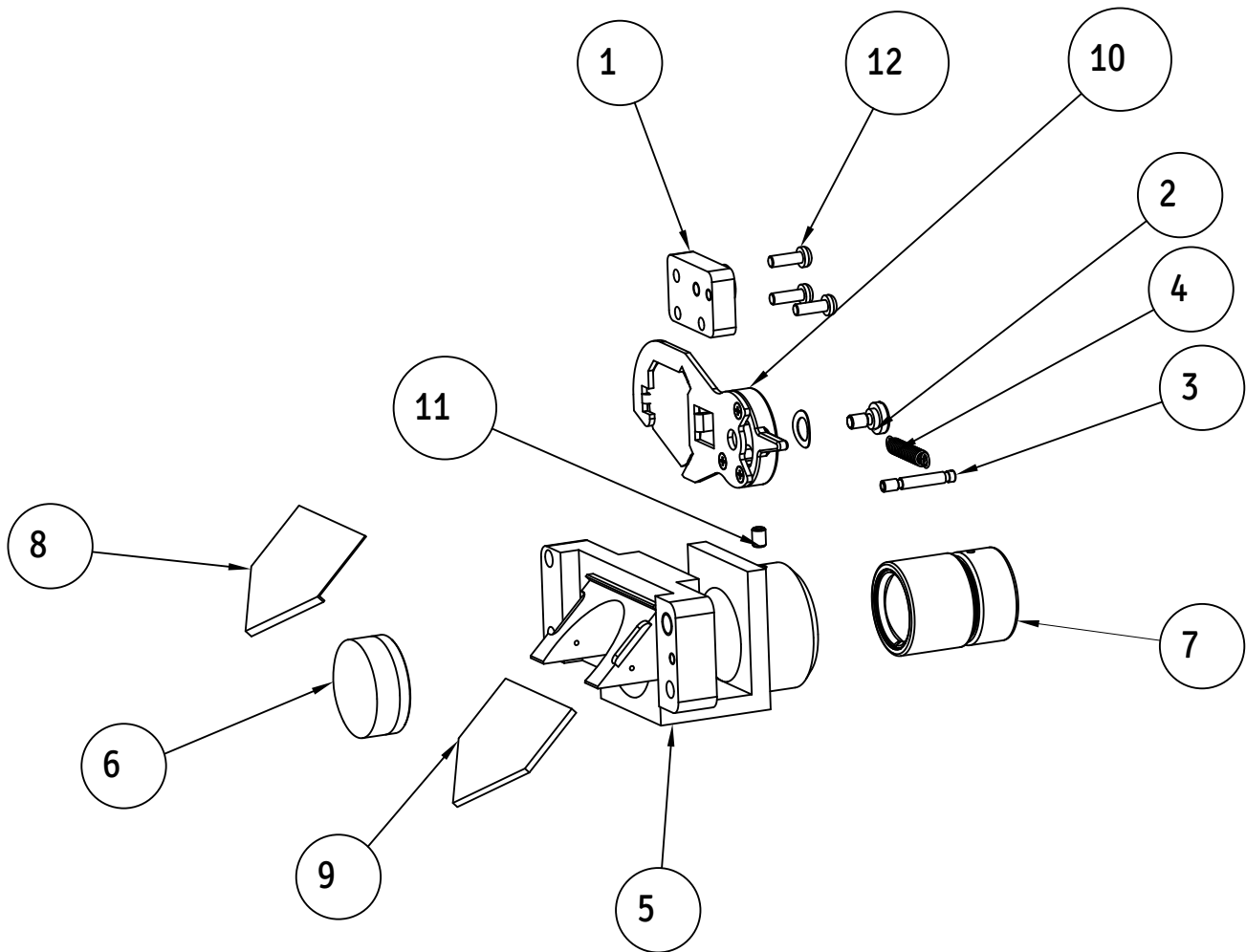
| ITEM | QTY | PART NUMBER | DESCRIPTION                 |
|------|-----|-------------|-----------------------------|
| 1    | 1   | 6121025     | BINOCULAR TUBE STRAIGHT     |
| 2    | 1   | 6123200-801 | CMO FOCUSSABLE ASSEMBLY     |
| 3    | 1   | 6128600-301 | DECORATIVE DISC             |
| 4    | 1   | 6128600-805 | COLPOSCOPE BRACKET ASSEMBLY |
| 5    | 1   | 6210000-801 | MAGNICHANGER ASSEMBLY       |
| 6    | 2   | 6128010     | EYE PIECE                   |
| 7    | 1   | SS-188      | M6 X 26 SKT. HD             |

# 7. MAGNICHANGER ASSEMBLY PRIMA CS (6210000-801)



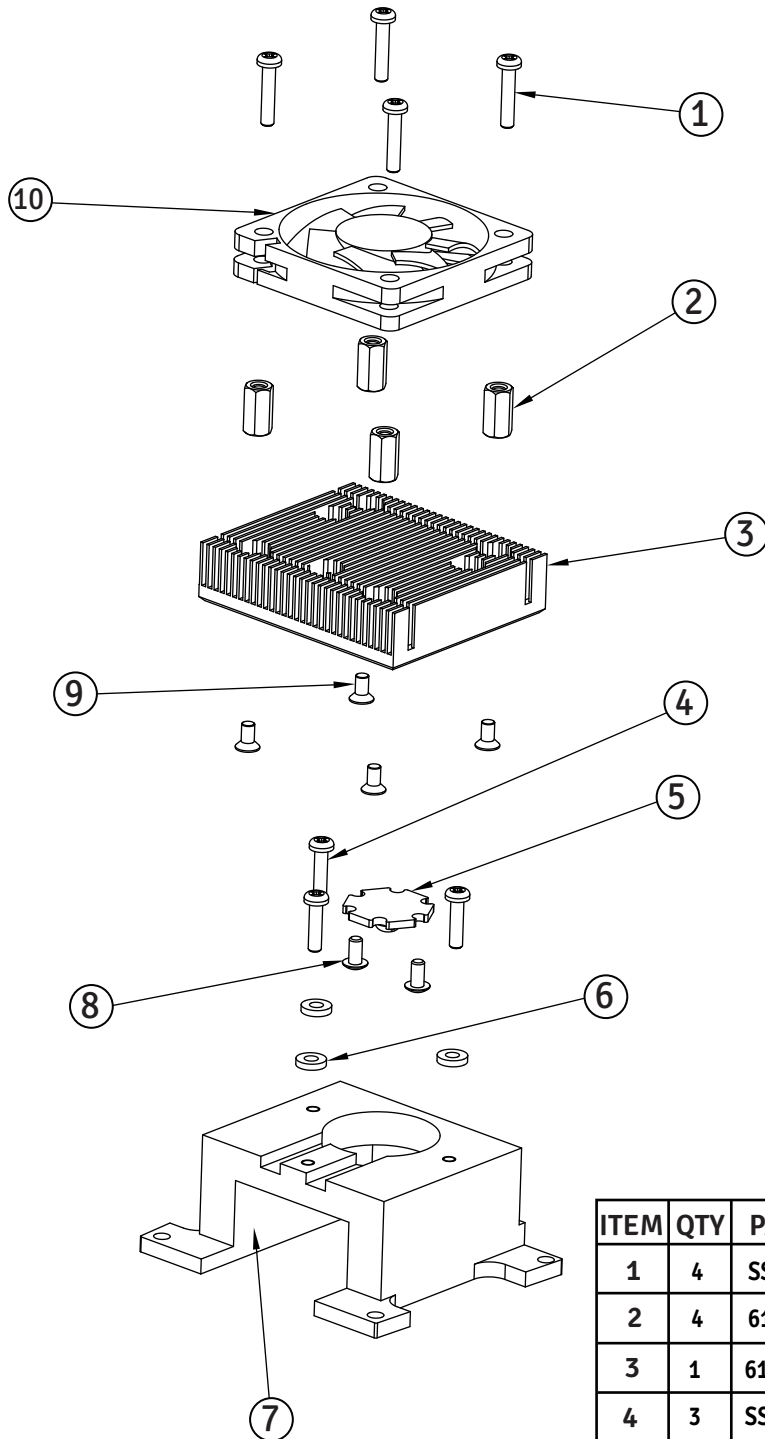
| ITEM | QTY | PART NUMBER | DESCRIPTION                             |
|------|-----|-------------|---|
| 1    | 1   | 6128000-501 | MAGNICHANGER HOUSING                    |
| 2    | 1   | 6128000-805 | LED ASSEMBLY                            |
| 3    | 1   | 6128000-808 | COVER ASSEMBLY                          |
| 4    | 1   | 6133000-405 | LOCK NUT                                |
| 5    | 1   | 6133000-497 | THREADED BUSH M6                        |
| 6    | 1   | 6133000-820 | 5-STEP MAGNICHANGER DRUM ASSEMBLY       |
| 7    | 1   | 6165000-499 | SS BUSH M10                             |
| 8    | 1   | 612086-455  | INDEX SPRING                            |
| 9    | 1   | 6210000-807 | FILTER CHANGE ASSEMBLY                  |
| 10   | 2   | 6210000-826 | MAGNICHANGER KHOB                       |
| 11   | 1   | 612086-433  | GUIDE SCREW M2.5                        |
| 12   | 3   | FS-136      | M3 X 16 SKT HD/RODEX/SS                 |
| 13   | 1   | 6165000-191 | HEAD LOCKING SCREW                      |
| 14   | 3   | SS-277      | SPG.WASHER 3MM-GD                       |
| 15   | 6   | SS-660      | M3 /5.2/PAN/10.0(12.0)/DNA              |
| 16   | 2   | X54206      | M3 X 6 CSK/PH/DIN 965A                  |
| 17   | 2   | 6168000-219 | STERLIZABLE COVER FOR MAGNICHANGER KNOB |
| 18   | 2   | 6133000-404 | DRUM SUPPORT                            |
| 19   | 1   | 6128000-806 | LENS BARREL ASSEMBLY                    |
| 20   | 1   | SS-131      | M3 X 4 SKT. SET. SCREW                  |
| 21   | 6   | X54220      | BEVEL WASHER                            |
| 22   | 1   | 6133000-597 | APERTURE PLATE                          |
| 23   | 1   | SS-658      | M3X6 PAN HD. SCREW                      |

## 8. FILTER CHANGE ASSEMBLY PRIMA CS (6210000-807)



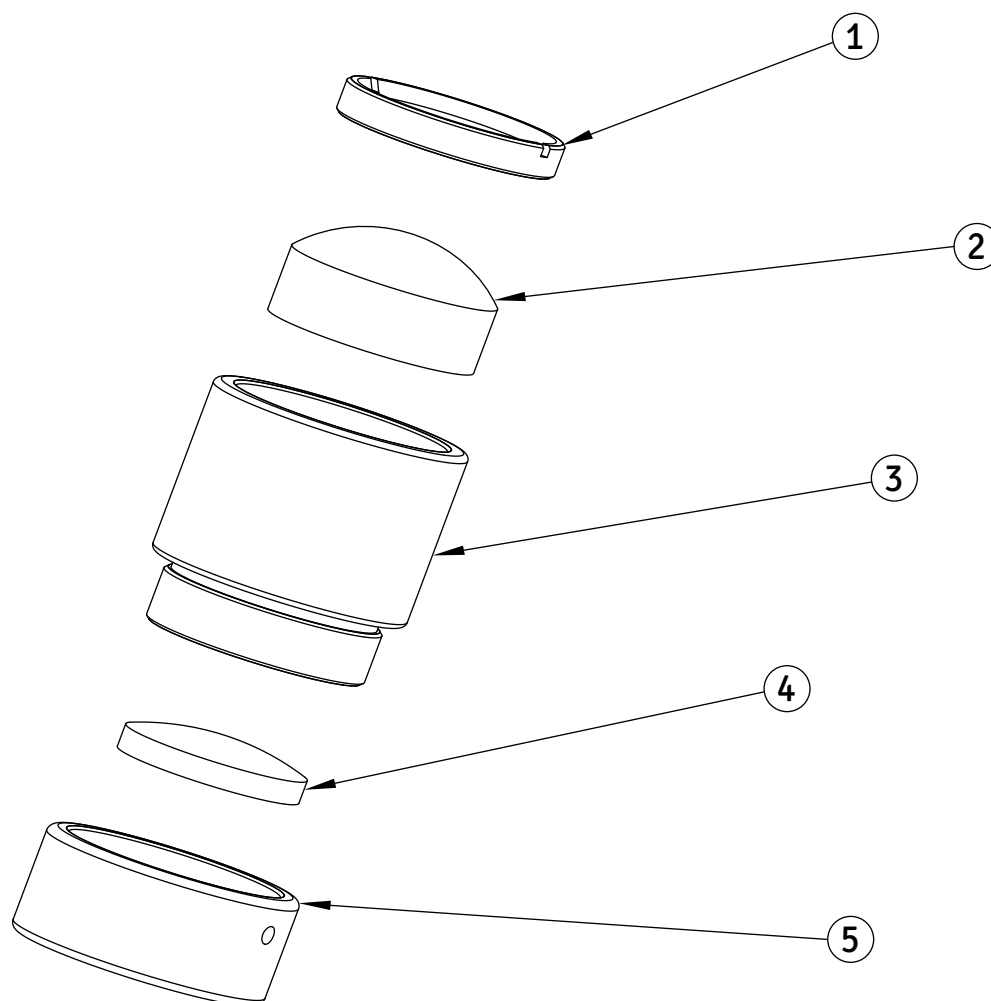
| ITEM | QTY | PART NUMBER | DESCRIPTION          |
|------|-----|-------------|----------------------|
| 1    | 1   | 6128000-143 | MOUNT FILTER HOLDER  |
| 2    | 1   | 6128000-144 | SEAT SCREW           |
| 3    | 1   | 6128000-145 | SPRING SUPPORT PIN   |
| 4    | 1   | 6128000-351 | SPRING               |
| 5    | 1   | 6128000-502 | FILTER MOUNT         |
| 6    | 1   | 6128000-701 | FIRST, DOUBLET       |
| 7    | 1   | 6128000-806 | LENS BARREL ASSEMBLY |
| 8    | 1   | 6133000-311 | MIRROR, MASK         |
| 9    | 1   | 6133000-751 | MIRROR, ILLUMINATOR  |
| 10   | 1   | 6210000-824 | FILTER ASSEMBLY      |
| 11   | 1   | SS-131      | M3 X 4/ SKT. SET     |
| 12   | 3   | SS-655      | M2.5X7.5             |

# 9. LED AND HEAD ASSEMBLY PRIMA CS (6128000-805)



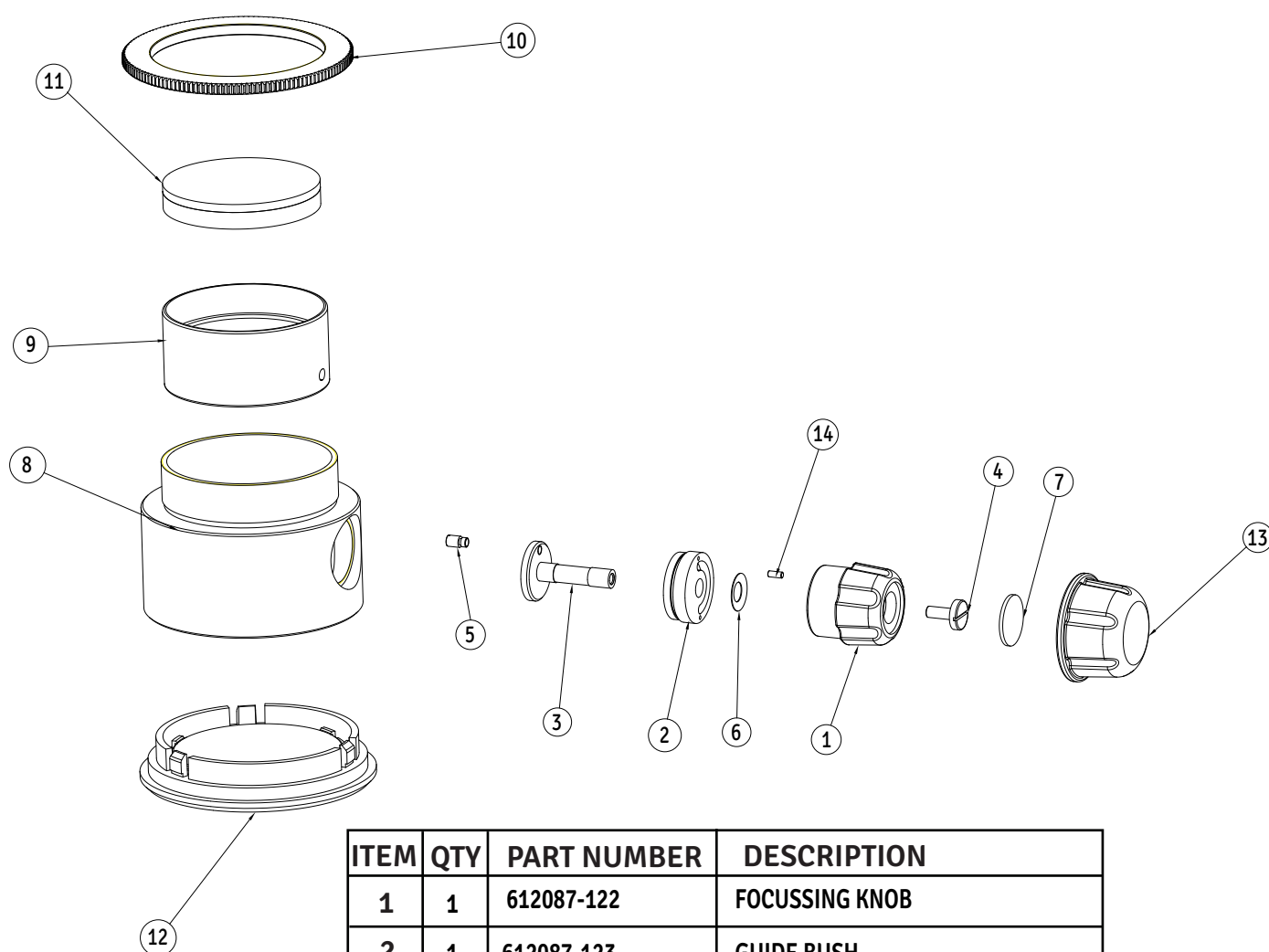
| ITEM | QTY | PART NUMBER | DESCRIPTION            |
|------|-----|-------------|------------------------|
| 1    | 4   | SS-662      | SCREW M3X15 PAN HD     |
| 2    | 4   | 6128000-111 | STUD                   |
| 3    | 1   | 6128000-102 | HEAT SINK              |
| 4    | 3   | SS-661      | SCREW M3X12 PH PAN     |
| 5    | 1   | 6128000-905 | LED                    |
| 6    | 3   | 6128000-103 | TEFLON WASHER          |
| 7    | 1   | 6128000-101 | BRACKET HEAT SINK      |
| 8    | 2   | X54189      | SKT BT HD SCREW MSX6.0 |
| 9    | 4   | X54206      | M 2.5X5 FLAT HD SCREW  |
| 10   | 1   | 6165000-919 | FAN 50X50              |

## 10. CONDENSER LENS ASSEMBLY PRIMA CS (6128000-806)



| ITEM | QTY | PART NUMBER | DESCRIPTION             |
|------|-----|-------------|-------------------------|
| 1    | 1   | 6128000-106 | CHECK NUT               |
| 2    | 1   | 6128000-602 | LED ILLUMINATION LENS-2 |
| 3    | 1   | 6128000-104 | LENS BARREL             |
| 4    | 1   | 6128000-601 | LED ILLUMINATION LENS-1 |
| 5    | 1   | 6128000-105 | THREADED CAP            |

# 11. CMO ASSEMBLY PRIMA CS (6123200-801)



| ITEM | QTY | PART NUMBER  | DESCRIPTION             |
|------|-----|--------------|-------------------------|
| 1    | 1   | 612087-122   | FOCUSSING KNOB          |
| 2    | 1   | 612087-123   | GUIDE BUSH              |
| 3    | 1   | 612087-124   | AXLE                    |
| 4    | 1   | 612087-125   | SEAT SCREW              |
| 5    | 1   | 612087-126   | SCREW 2.5               |
| 6    | 1   | 612087-127   | DISC WASHER             |
| 7    | 1   | 6122015-205M | DECORATIVE DISC IPD     |
| 8    | 1   | 6123200-201  | MOUNT CMO               |
| 9    | 1   | 6123200-202  | LENS MOUNT              |
| 10   | 1   | 6123200-203  | KNURLED RING            |
| 11   | 1   | 6123200-701  | ASSEMBLY DOUBLET LENS   |
| 12   | 1   | 6156250-801  | ASSEMBLY PROTECTOR LENS |
| 13   | 1   | 6122015-210M | SILICON COVER           |
| 14   | 1   | NM-063       | PIN 1.6 x 8             |



**Labo America Inc.**  
920 Auburn Court  
Fremont, CA  
94538  
U.S.A.

Phone: 510-445-1257  
Fax: 510-991-9862  
Email: [sales@laboamerica.com](mailto:sales@laboamerica.com)  
[www.laboamerica.com](http://www.laboamerica.com)

**EU|REP.**

**Labomed Europe**  
Essebaan 50  
NL-2908 LK Capelle a/d IJssel  
The Netherlands  
Tel: +31 (0)10 4584222  
Fax: +31 (0)10 4508251  
E-mail: [info@labomedeuropa.com](mailto:info@labomedeuropa.com)



DQS Inc.  
Labo America Inc.  
Registered to ISO 9001:2015  
BR Number 10005565



LABOTECH MICROSCOPES INDIA Pvt Ltd