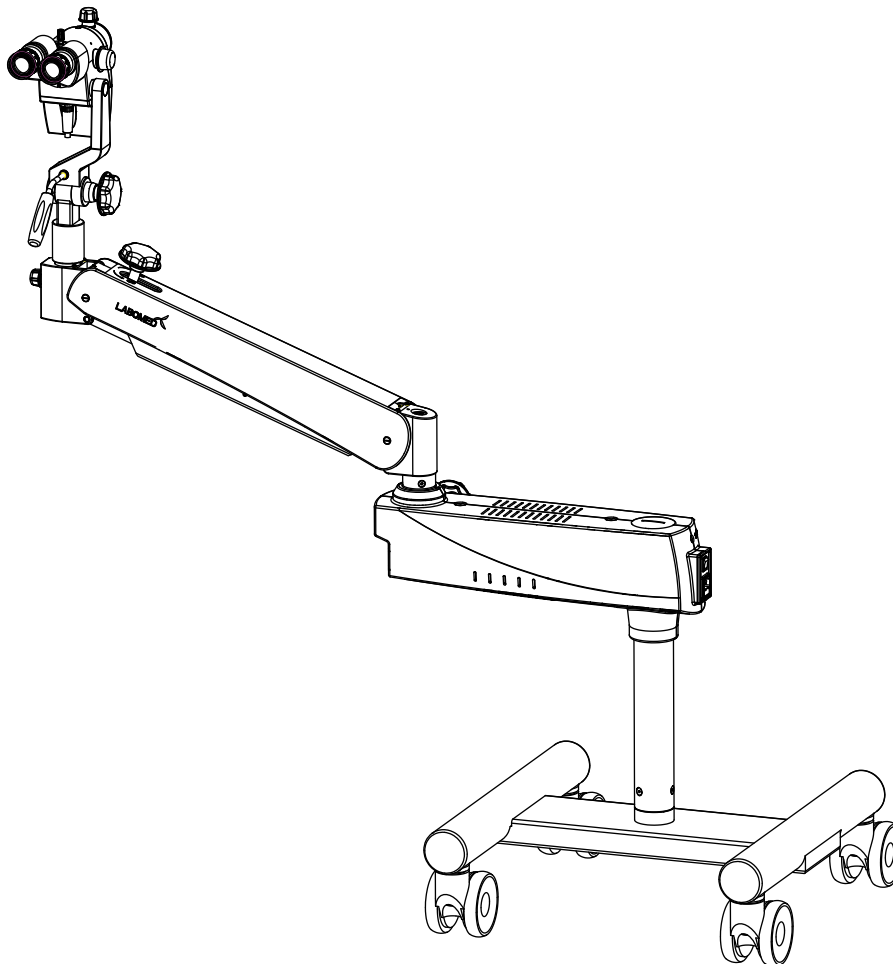


# PRIMA CS

## Service/ Part List Manual

### Operating Surgical Microscopy

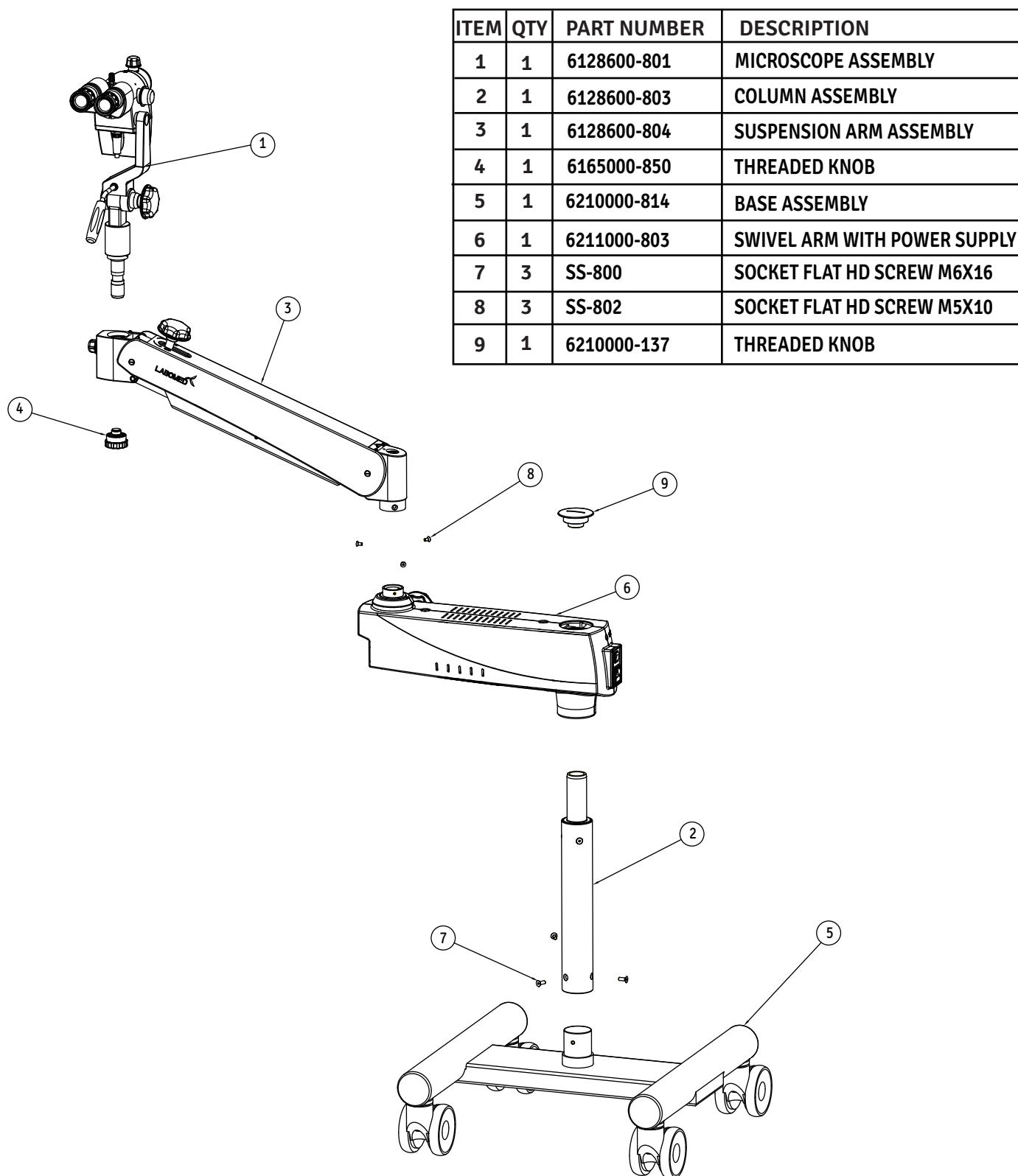


To ensure proper use of this instrument as well as to avoid injury while operating instrument, understanding this manual Completely before use is highly recommended.

# CONTENTS

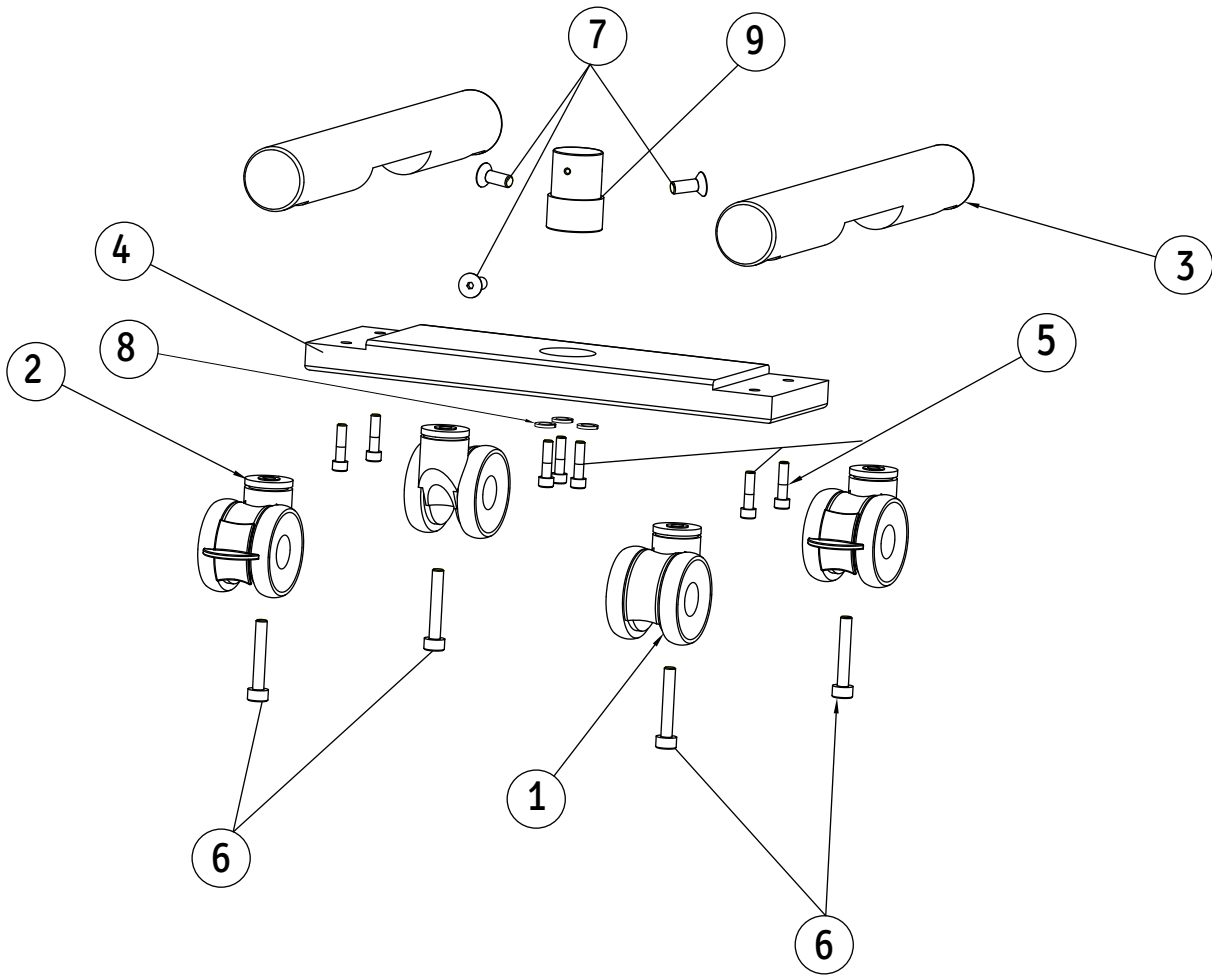
<b>1. Assembly Prima CS</b>	<b>1</b>
<b>2. Base Assembly Prima CS</b>	<b>2</b>
<b>3. Swivel Arm Assembly Prima CS</b>	<b>3</b>
<b>4. Suspension Arm Assembly Prima CS</b>	<b>4</b>
<b>5. Carrier Assembly Prima CS</b>	<b>5</b>
<b>6. Microscope Assembly Prima CS</b>	<b>6</b>
<b>7. Magnichanger Assembly Prima Cs</b>	<b>8</b>
<b>8. Filter Change Assembly Prima Cs</b>	<b>9</b>
<b>9. LED and Head Assembly Prima CS</b>	<b>10</b>
<b>10. Condenser Lens Assembly Prima CS</b>	<b>11</b>
<b>11. CMO Assembly Prima CS</b>	<b>12</b>

# 1. ASSEMBLY PRIMA CS (6128600)



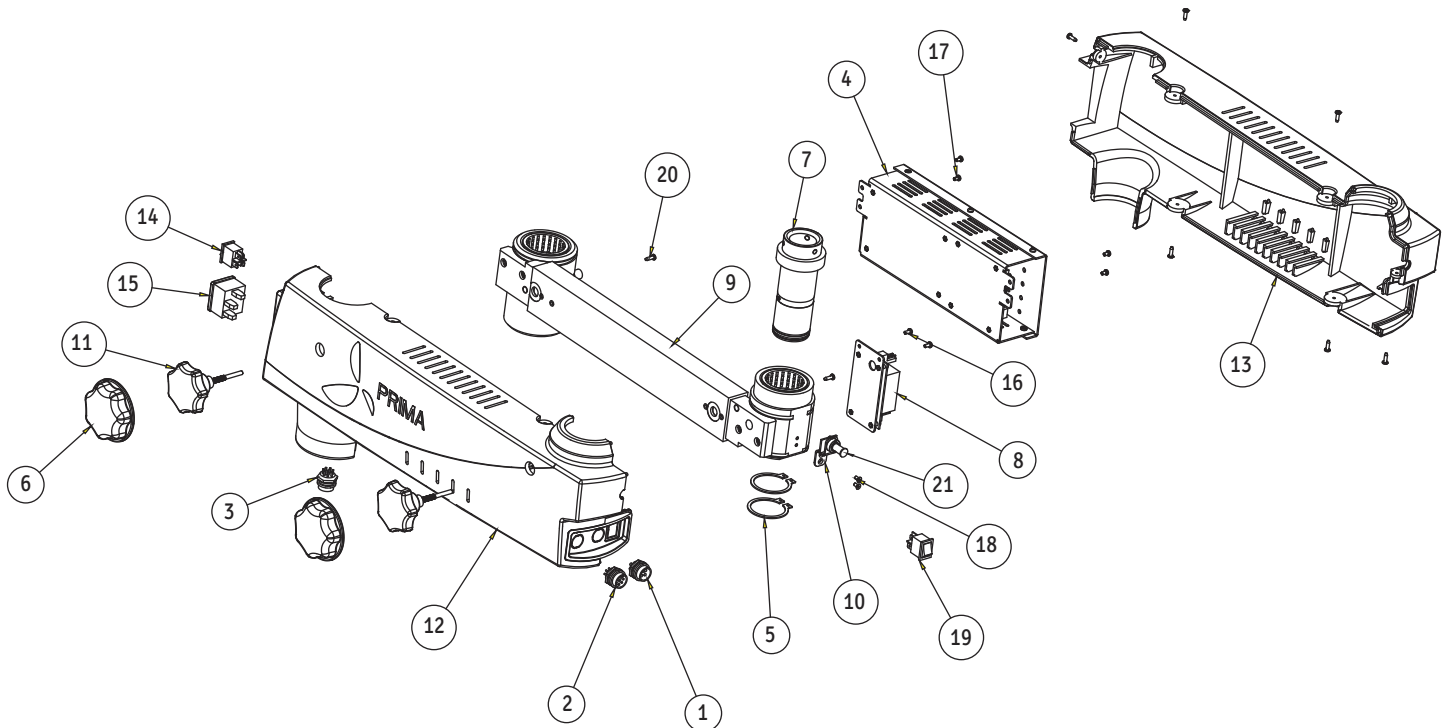
ITEM	QTY	PART NUMBER	DESCRIPTION
1	1	6128600-801	MICROSCOPE ASSEMBLY
2	1	6128600-803	COLUMN ASSEMBLY
3	1	6128600-804	SUSPENSION ARM ASSEMBLY
4	1	6165000-850	THREADED KNOB
5	1	6210000-814	BASE ASSEMBLY
6	1	6211000-803	SWIVEL ARM WITH POWER SUPPLY
7	3	SS-800	SOCKET FLAT HD SCREW M6X16
8	3	SS-802	SOCKET FLAT HD SCREW M5X10
9	1	6210000-137	THREADED KNOB

## 2. BASE ASSEMBLY PRIMA CS (6210000-814)



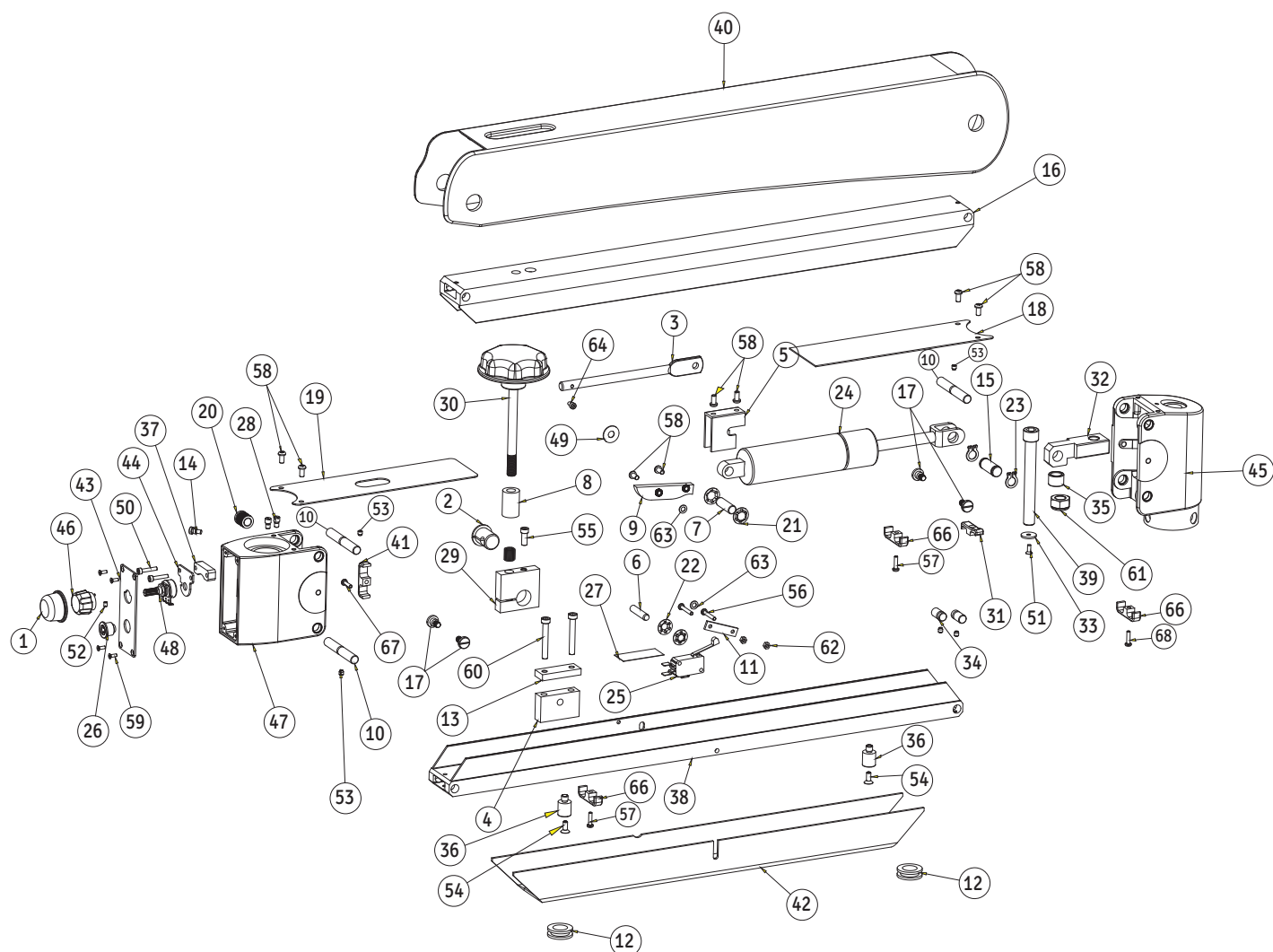
ITEM	QTY	PART NUMBER	DESCRIPTION
1	2	6134000-272	CASTER WHEEL WITHOUT LOCK
2	2	6134000-274	CASTER WHEEL WITH LOCK
3	2	6210000-823	WHEEL CARRIER BASE SUB ASSEMBLY
4	1	6210000-519	SUPPORT WHEEL CARRIER
5	7	SS-707	M10 X 40 ALLEN BOLT
6	4	SS-728	M12 X 75 SKT. HEAD CAP SCREW (SS)
7	3	SS-800	M6 X 16 CSK SCEW
8	3	SS-722	FLAT WASHER BBNM10
9	1	6165000-153	GUIDE PLUG

### 3. SWIVEL ARM ASSEMBLY PRIMA CS (6211000-803)



ITEM	QTY	PART NUMBER	DESCRIPTION
1	1	612086-917F	4-PIN-CONNECTOR-F
2	1	612086-918F	7-PIN-CONNECTOR-F
3	1	612086-919F	9-PIN-CONNECTOR-F
4	1	6128000-950	POWER SUPPLY ASSEMBLY
5	2	6134000-123	RETAINING RING DIA 38
6	2	6168000-216M	COVER LOCKING KNOB
7	1	6210000-146	FRONT SHAFT
8	1	6210000-809	Z-AXIS POWER SUPPLY ASSEMBLY
9	1	6210000-811	SWIVEL ARM ASSEMBLY
10	1	6210000-825	INDICATOR LED ASSEMBLY
11	2	6210000-827	LOCKING KNOB ASSEMBLY
12	1	6210000-201M	SWIVEL ARM COVER LH
13	1	6210000-202M	SWIVEL ARM COVER RH
14	1	8124900-950	ON/OFF SWITCH
15	1	8126000-907	POWER ENTRY MODULE
16	2	SS-658	PAN HD. SCREW M3X6.0
17	4	SS-664	M3 X 5/PH/PAN/DNA
18	2	X54206	M3X 6 CSK FLAT HD SCREW
19	1	WSWT20024	ON/OFF SWITCH
20	8	X54346	DIA 2.9X13 PAN HEAD SELF TAP SCREW
21	1	6165000-132	LED COVER

## 4. SUSPENSION ARM ASSEMBLY PRIMA CS (6128600-804)

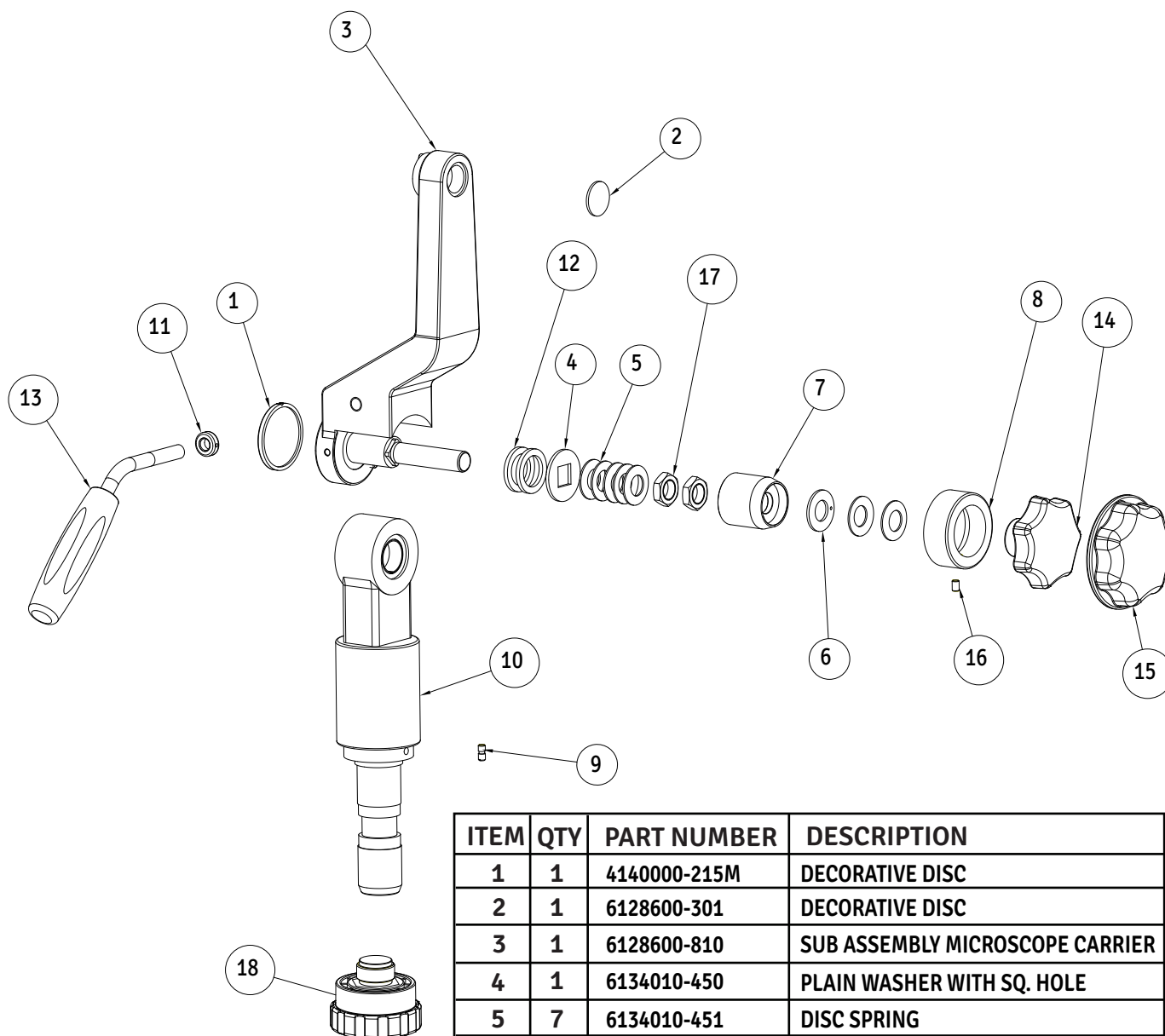


ITEM	QTY	PART NUMBER	DESCRIPTION
1	1	6122015-210M	SILICON COVER
2	1	6134000-105	SLITTED BUSH
3	1	6134000-106	LEVER
4	1	6134000-107	LEVER MOUNT
5	1	6134000-108	CLAMP CYLINDER
6	1	6134000-110	PIN LEVER DIA 6
7	1	6134000-111	CYLINDER SUPPORT PIN DIA 8
8	1	6134000-112	SPACER
9	1	6134000-113	STOP LIMIT SWITCH
10	4	6134000-114	GROOVED HINGE PIN
11	1	6134000-116	LIMITS SWITCH CLAMP
12	2	6134000-122	CABLE GLAND
13	1	6134000-160	LOCKING PLATE LEVER
14	1	6134000-165	SAFETY SCREW
15	1	6134000-255	CYLINDER HINGE PIN

ITEM	QTY	PART NUMBER	DESCRIPTION
16	1	6134000-261	FLEXIBLE ARM TOP
17	4	6134000-263	SEAT SCREW COVER
18	1	6134000-536	COVER REAR COUPLING
19	1	6134000-537	COVER FRONT COUPLING
20	1	6134000-551	THREADED BUSH M12X14
21	2	6134000-580	CIRCLIP QUICK LOCK BENZING 8mm
22	2	6134000-584	CIRCLIP QUICK LOCK BENZING 6mm
23	2	6134000-592	RETAINING RING 10mm
24	1	6134000-109M	GAS CYLINDER (1100N)
25	1	6134000-914	LIMIT SWITCH
26	1	6134100-911	2-PIN CONNECTOR
27	1	6165000-336	INSULATION SHEET
28	2	6165000-405	STOPPER SCREW
29	1	6165000-859	SUB ASSEMBLY CLAMP BUSHING
30	1	6166000-812	LOCKING KNOB SUSPENSION ARM
31	1	6167500-205M	WIRE CLAMP
32	1	6210000-101	TENSION ADJUSTING NUT
33	1	6210000-102	SS WASHER
34	2	6210000-114	GROOVED HINGE PIN SMALL
35	1	6210000-136	SS BUSH
36	2	6210000-138	SUPPORTING BUSH
37	1	6210000-143	PACKING POTENTIOMETER KNOB
38	1	6210000-162	FLEXIBLE ARM BOTTOM
39	1	6210000-166	M10X70 ALLEN BOLT
40	1	6210000-204	COVER SUSPENSION ARM
41	1	6167500-205	CABLE CLAMP
42	1	6210000-303	CABLE COVER
43	1	6210000-304	PANNEL PLATE
44	1	6210000-307	BRACKET POTENTIOMETER KNOB
45	1	6210000-810	SUB ASSEMBLY REAR COUPLING
46	1	6210000-815	SUB ASSLY POTENTIOMETER KNOB
47	1	6210000-820	SUB ASSLY FRONT COUPLING
48	1	6210000-903	POTENTIOMETER
49	1	8124400-301	TEFLON WASHER
50	2	FS-136	M3x16 SOCKET HEAD CAP SCREW
51	1	SS-125	M3x8 CSK SCREW
52	1	SS-131	M3 X 4 /SKT.SET
53	5	SS-143	SOCKET SET SCREW M4x4
54	2	SS-154	SOCKET FLAT HD SCREW M4x10
55	1	SS-182	M5x12 SOCKET HEAD CAP SCREW
56	2	SS-190	M3x20 PAN HD SCREW
57	2	SS-661	M3 X 12/PH/PAN/DNA
58	8	SS-665	M4x8 PAN HEAD
59	4	SS-668	M2.5x7.0 FLAT HD SCREW
60	2	SS-803	SOCKET HEAD CAP SCREW M5x35
61	1	SS-907	HAX. NUT M10X1.0
62	2	X52222	M3 HEX. NUT
63	2	X54223	SS WASHER ID 4.2xOD 8.6x0.5 THK
64	1	X55991	M3x6.0 SOCKET HD. CAP SCREW
65	1	X54346	M3 X 12 SKT HD

ITEM	QTY	PART NUMBER	DESCRIPTION
66	3	6210000-205	WIRE CLAMP
67	1	SS-659	SCREW
68	1	X54246	SCREW

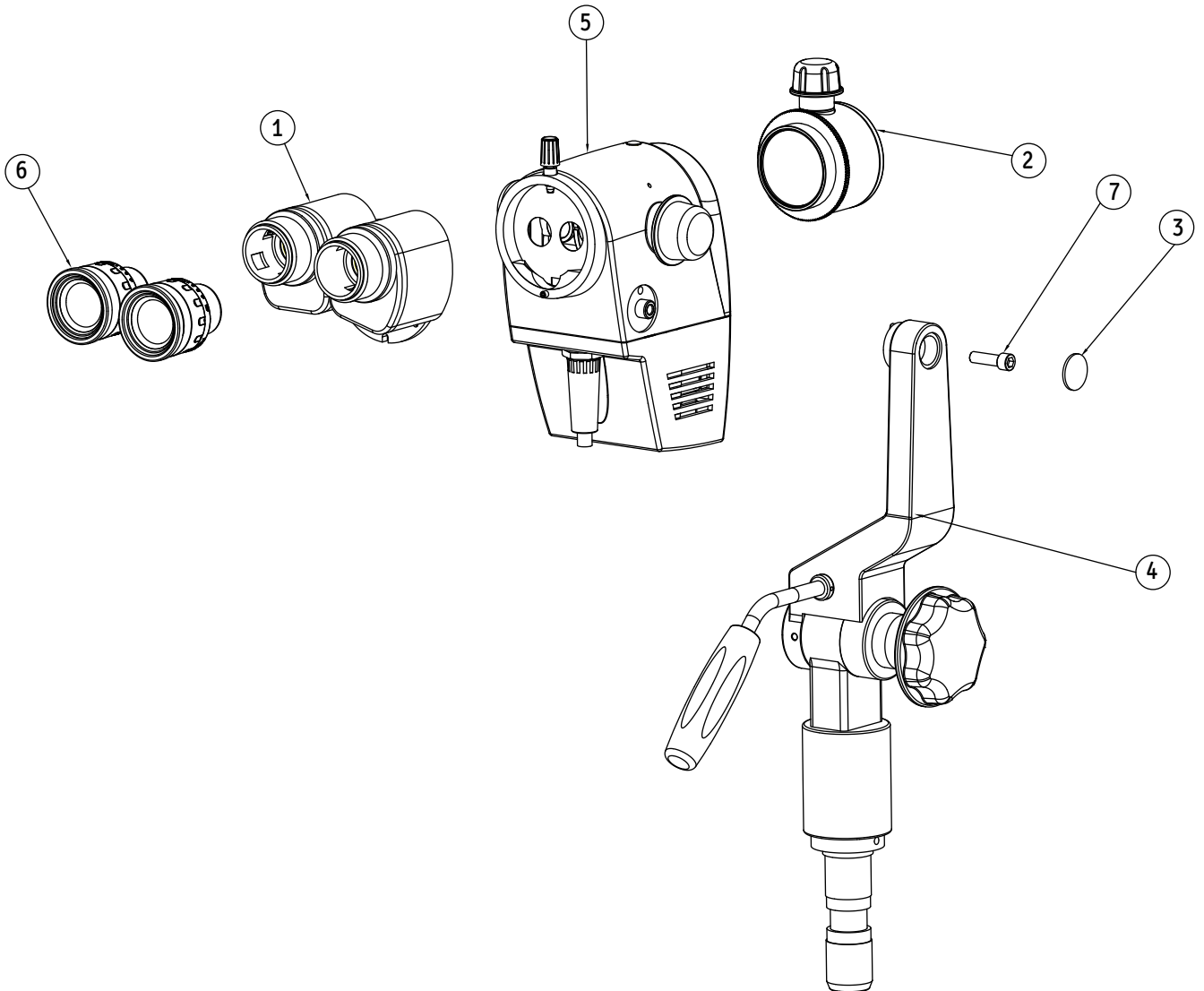
## 5. CARRIER ASSEMBLY PRIMA CS (6128600-805)



ITEM	QTY	PART NUMBER	DESCRIPTION
1	1	4140000-215M	DECORATIVE DISC
2	1	6128600-301	DECORATIVE DISC
3	1	6128600-810	SUB ASSEMBLY MICROSCOPE CARRIER
4	1	6134010-450	PLAIN WASHER WITH SQ. HOLE
5	7	6134010-451	DISC SPRING
6	1	6134010-453	WASHER S.S. FC
7	1	6134010-455	WASHER HOUSING
8	1	6165000-008	COVER WASHER HOUSING
9	1	6165000-405	STOPPER SCREW
10	1	6165000-836	SUB ASSEMBLY LOWER BRACKET
11	1	6168000-117	CHECK NUT MB
12	2	6168000-119	BRASS WASHER
13	1	6168000-850	HANDLE ASSEMBLY
14	1	6168000-215M	LOCKING KNOB
15	1	6168000-216M	COVER LOCKING KNOB
16	1	SS-153	M4 X 6 / GRB/ UB
17	2	SS-729	HEX. NUT M12
18	1	6165000-850	THREADED KNOB

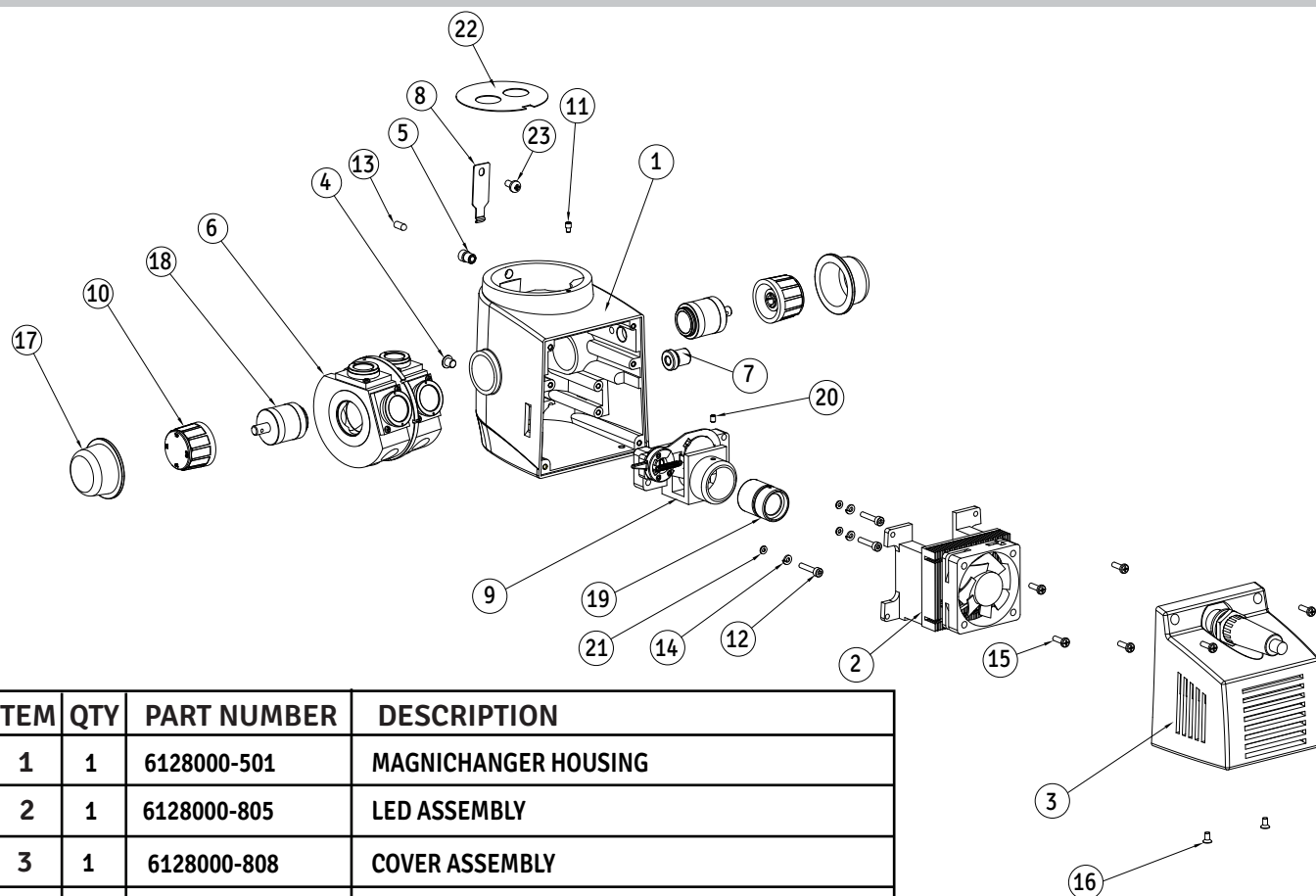


## 6. MICROSCOPE ASSEMBLY PRIMA CS (6128600-801)



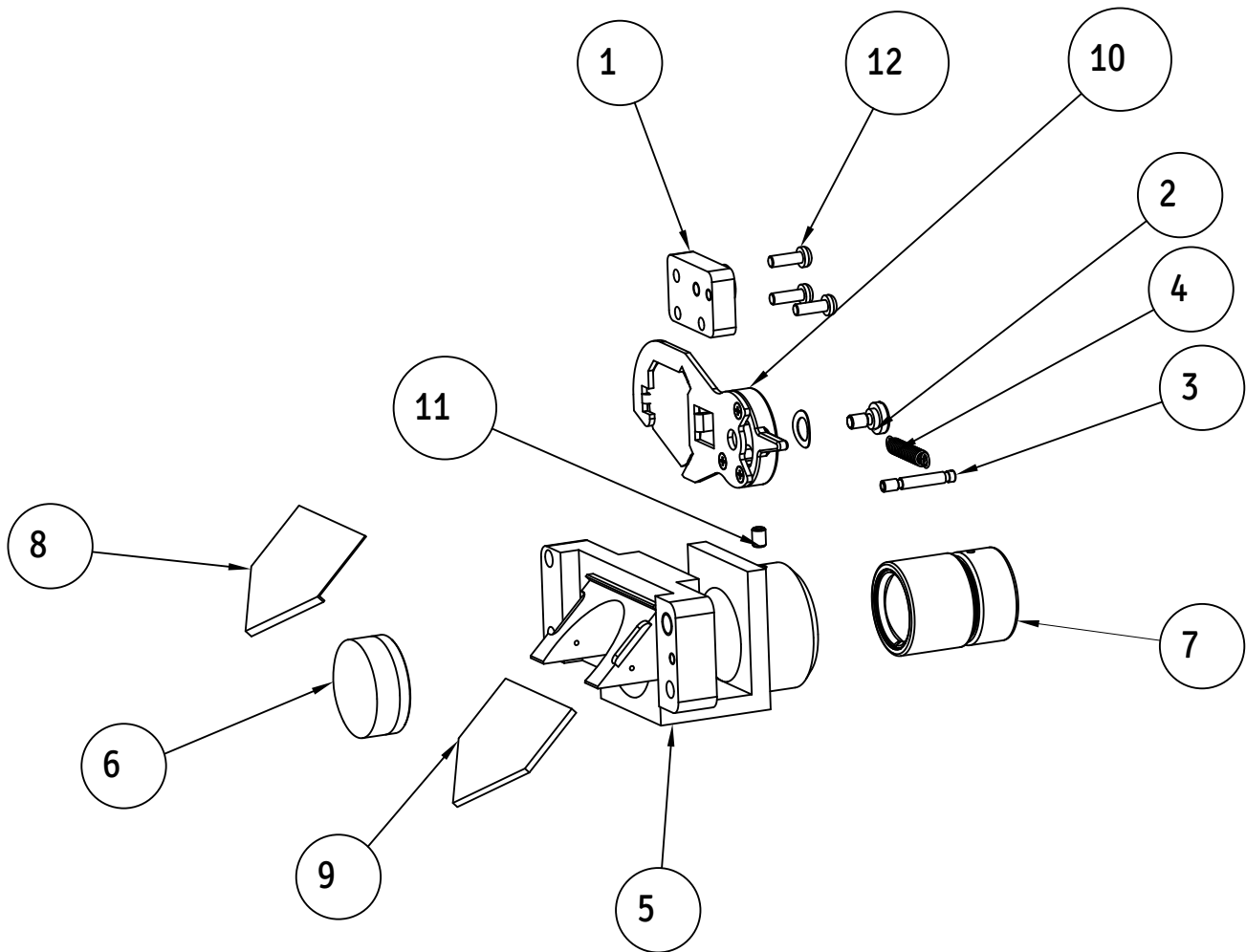
ITEM	QTY	PART NUMBER	DESCRIPTION
1	1	6121025	BINOCULAR TUBE STRAIGHT
2	1	6123200-801	CMO FOCUSSABLE ASSEMBLY
3	1	6128600-301	DECORATIVE DISC
4	1	6128600-805	COLPOSCOPE BRACKET ASSEMBLY
5	1	6210000-801	MAGNICHANGER ASSEMBLY
6	2	6128010	EYE PIECE
7	1	SS-188	M6 X 26 SKT. HD

# 7. MAGNICHANGER ASSEMBLY PRIMA CS (6210000-801)



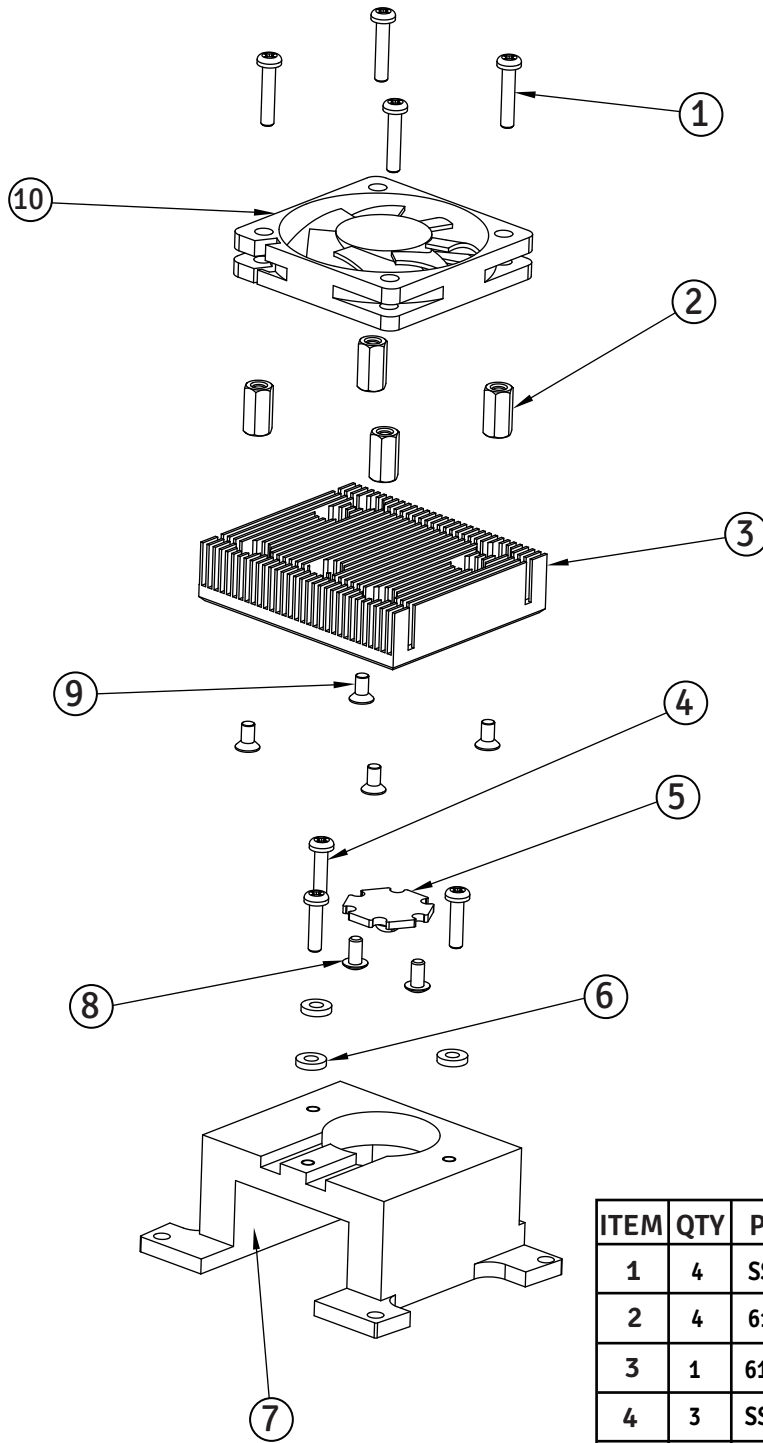
ITEM	QTY	PART NUMBER	DESCRIPTION
1	1	6128000-501	MAGNICHANGER HOUSING
2	1	6128000-805	LED ASSEMBLY
3	1	6128000-808	COVER ASSEMBLY
4	1	6133000-405	LOCK NUT
5	1	6133000-497	THREADED BUSH M6
6	1	6133000-820	5-STEP MAGNICHANGER DRUM ASSEMBLY
7	1	6165000-499	SS BUSH M10
8	1	612086-455	INDEX SPRING
9	1	6210000-807	FILTER CHANGE ASSEMBLY
10	2	6210000-826	MAGNICHANGER KHOB
11	1	612086-433	GUIDE SCREW M2.5
12	3	FS-136	M3 X 16 SKT HD/RODEX/SS
13	1	6165000-191	HEAD LOCKING SCREW
14	3	SS-277	SPG.WASHER 3MM-GD
15	6	SS-660	M3 /5.2/PAN/10.0(12.0)/DNA
16	2	X54206	M3 X 6 CSK/PH/DIN 965A
17	2	6168000-219	STERLIZABLE COVER FOR MAGNICHANGER KNOB
18	2	6133000-404	DRUM SUPPORT
19	1	6128000-806	LENS BARREL ASSEMBLY
20	1	SS-131	M3 X 4 SKT. SET. SCREW
21	6	X54220	BEVEL WASHER
22	1	6133000-597	APERTURE PLATE
23	1	SS-658	M3X6 PAN HD. SCREW

## 8. FILTER CHANGE ASSEMBLY PRIMA CS (6210000-807)



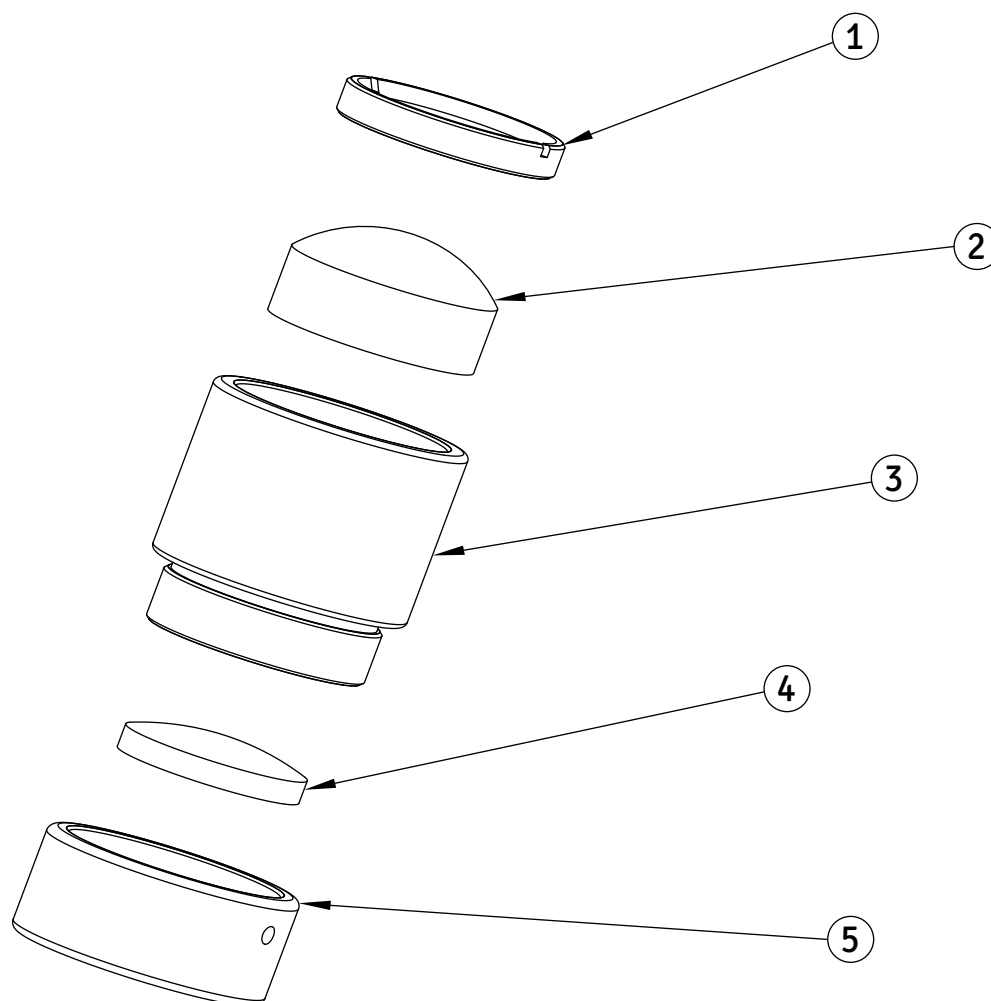
ITEM	QTY	PART NUMBER	DESCRIPTION
1	1	6128000-143	MOUNT FILTER HOLDER
2	1	6128000-144	SEAT SCREW
3	1	6128000-145	SPRING SUPPORT PIN
4	1	6128000-351	SPRING
5	1	6128000-502	FILTER MOUNT
6	1	6128000-701	FIRST, DOUBLET
7	1	6128000-806	LENS BARREL ASSEMBLY
8	1	6133000-311	MIRROR, MASK
9	1	6133000-751	MIRROR, ILLUMINATOR
10	1	6210000-824	FILTER ASSEMBLY
11	1	SS-131	M3 X 4/ SKT. SET
12	3	SS-655	M2.5X7.5

# 9. LED AND HEAD ASSEMBLY PRIMA CS (6128000-805)



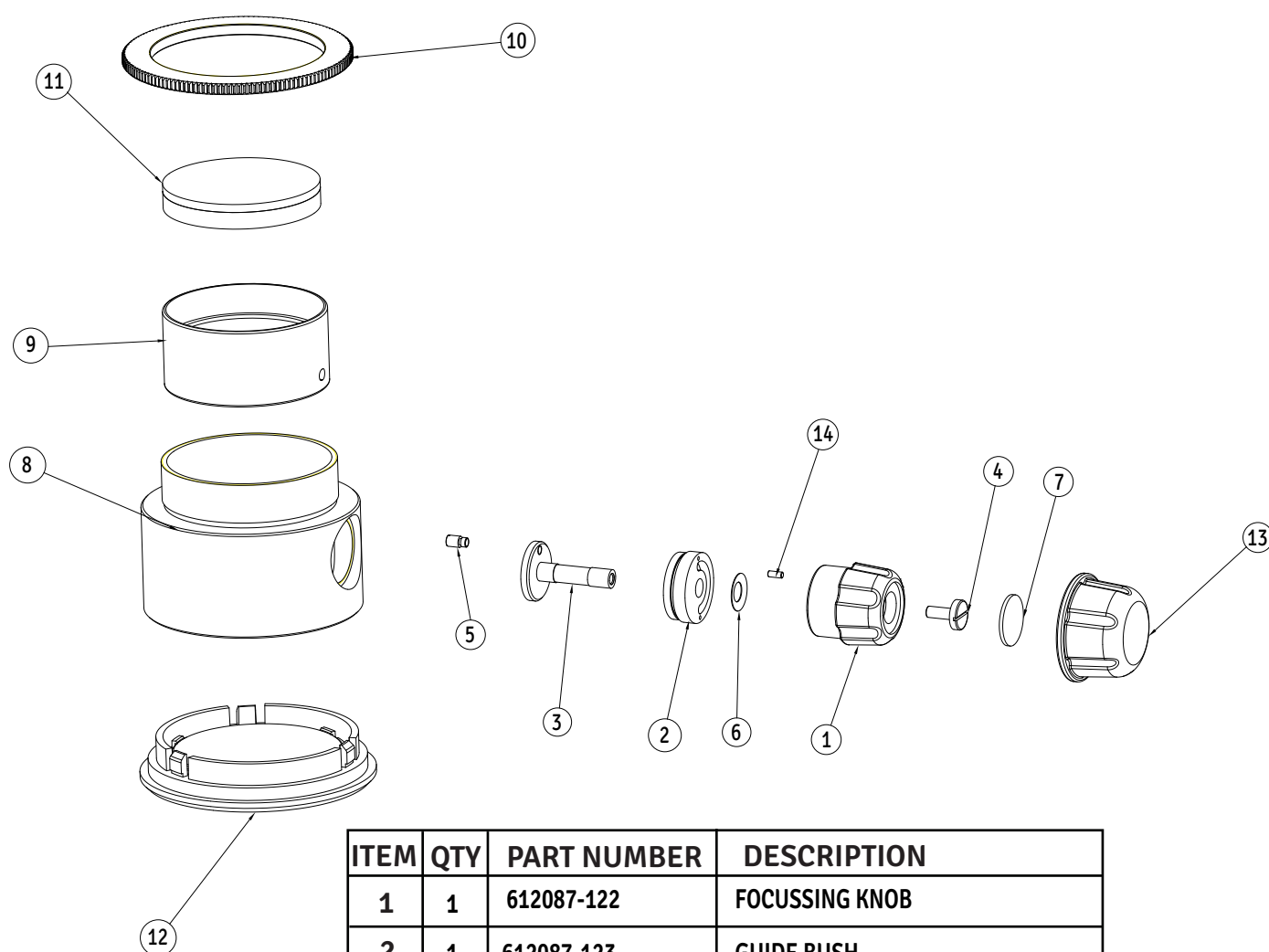
ITEM	QTY	PART NUMBER	DESCRIPTION
1	4	SS-662	SCREW M3X15 PAN HD
2	4	6128000-111	STUD
3	1	6128000-102	HEAT SINK
4	3	SS-661	SCREW M3X12 PH PAN
5	1	6128000-905	LED
6	3	6128000-103	TEFLON WASHER
7	1	6128000-101	BRACKET HEAT SINK
8	2	X54189	SKT BT HD SCREW MSX6.0
9	4	X54206	M 2.5X5 FLAT HD SCREW
10	1	6165000-919	FAN 50X50

## 10. CONDENSER LENS ASSEMBLY PRIMA CS (6128000-806)



ITEM	QTY	PART NUMBER	DESCRIPTION
1	1	6128000-106	CHECK NUT
2	1	6128000-602	LED ILLUMINATION LENS-2
3	1	6128000-104	LENS BARREL
4	1	6128000-601	LED ILLUMINATION LENS-1
5	1	6128000-105	THREADED CAP

# 11. CMO ASSEMBLY PRIMA CS (6123200-801)



ITEM	QTY	PART NUMBER	DESCRIPTION
1	1	612087-122	FOCUSSING KNOB
2	1	612087-123	GUIDE BUSH
3	1	612087-124	AXLE
4	1	612087-125	SEAT SCREW
5	1	612087-126	SCREW 2.5
6	1	612087-127	DISC WASHER
7	1	6122015-205M	DECORATIVE DISC IPD
8	1	6123200-201	MOUNT CMO
9	1	6123200-202	LENS MOUNT
10	1	6123200-203	KNURLED RING
11	1	6123200-701	ASSEMBLY DOUBLET LENS
12	1	6156250-801	ASSEMBLY PROTECTOR LENS
13	1	6122015-210M	SILICON COVER
14	1	NM-063	PIN 1.6 x 8



**Labo America Inc.**  
920 Auburn Court  
Fremont, CA  
94538  
U.S.A.

Phone: 510-445-1257

Fax: 510-991-9862

Email: [sales@laboamerica.com](mailto:sales@laboamerica.com)

[www.laboamerica.com](http://www.laboamerica.com)

**EU|REP.**

**Labomed Europe**  
Essebaan 50  
NL-2908 LK Capelle a/d IJssel  
The Netherlands  
Tel: +31 (0)10 4584222  
Fax: +31 (0)10 4508251  
E-mail: [info@labomedeuropa.com](mailto:info@labomedeuropa.com)

