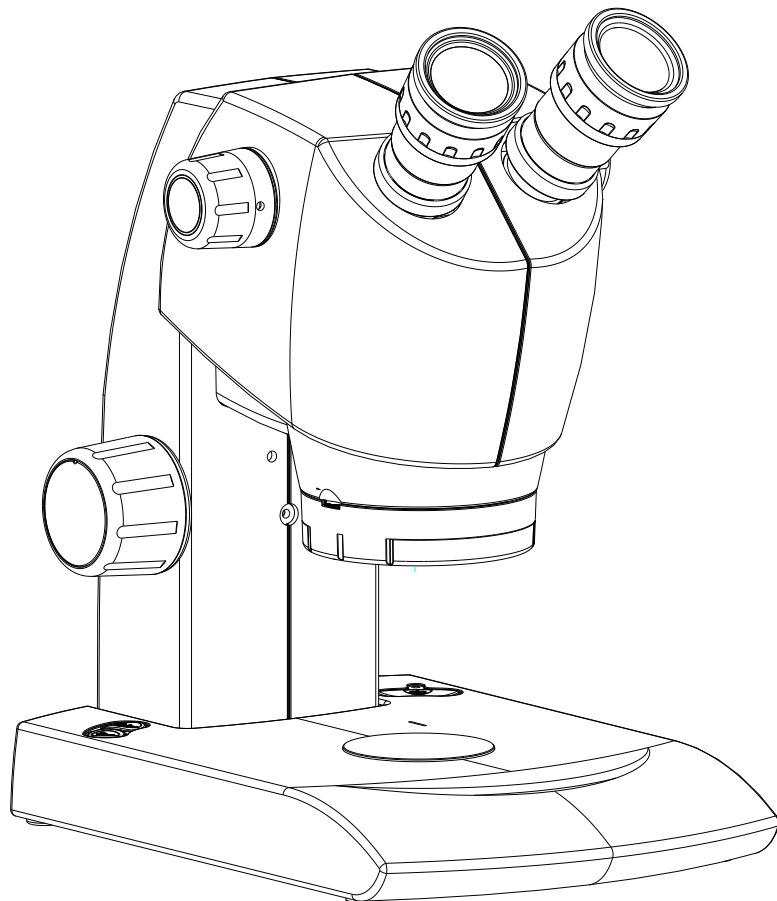


Luxeo 2S/ 4Z Service / Part List Manual

Zoom Stereo Microscopy



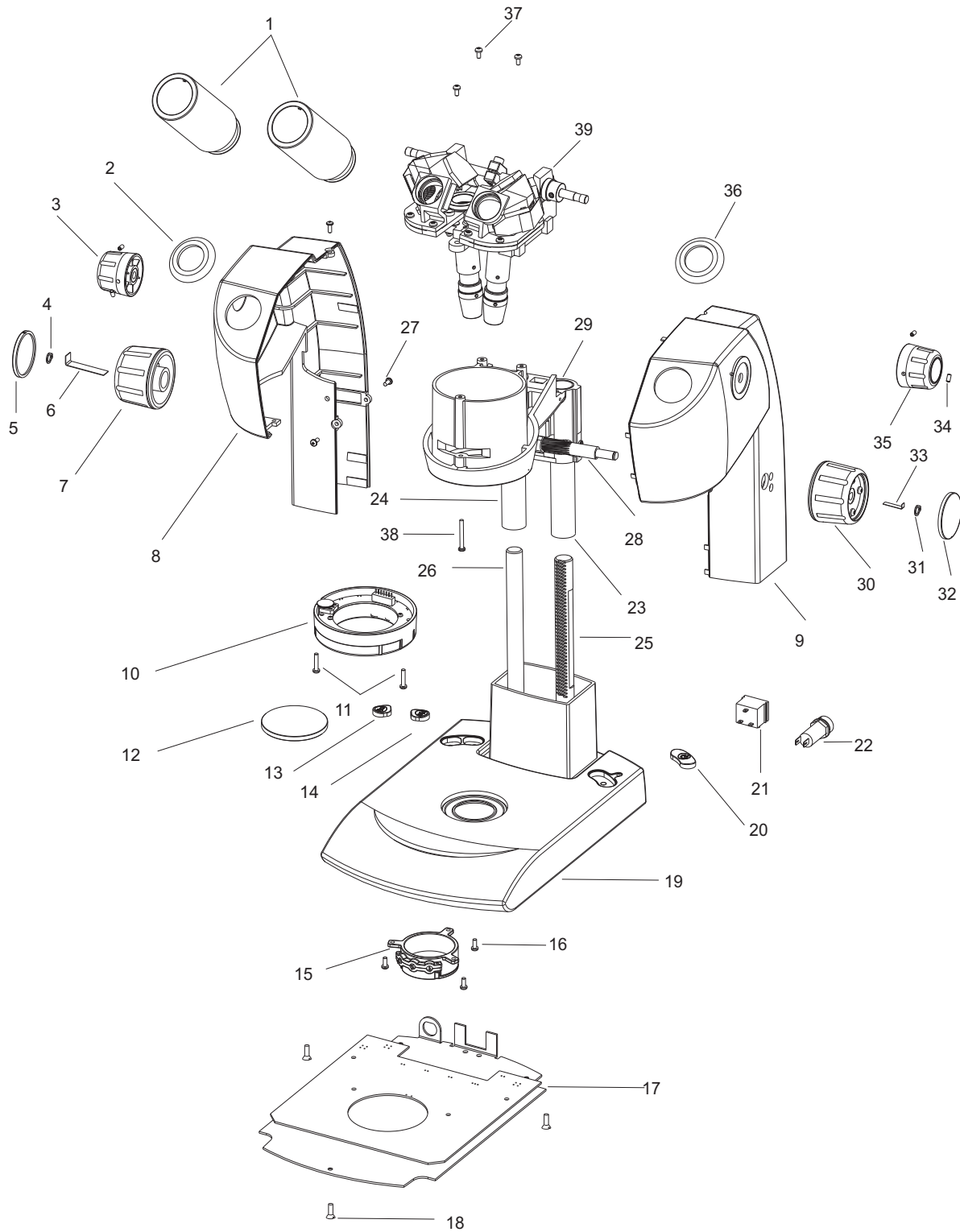
LABOMED Luxeo

Service / Part List Manual

Contents

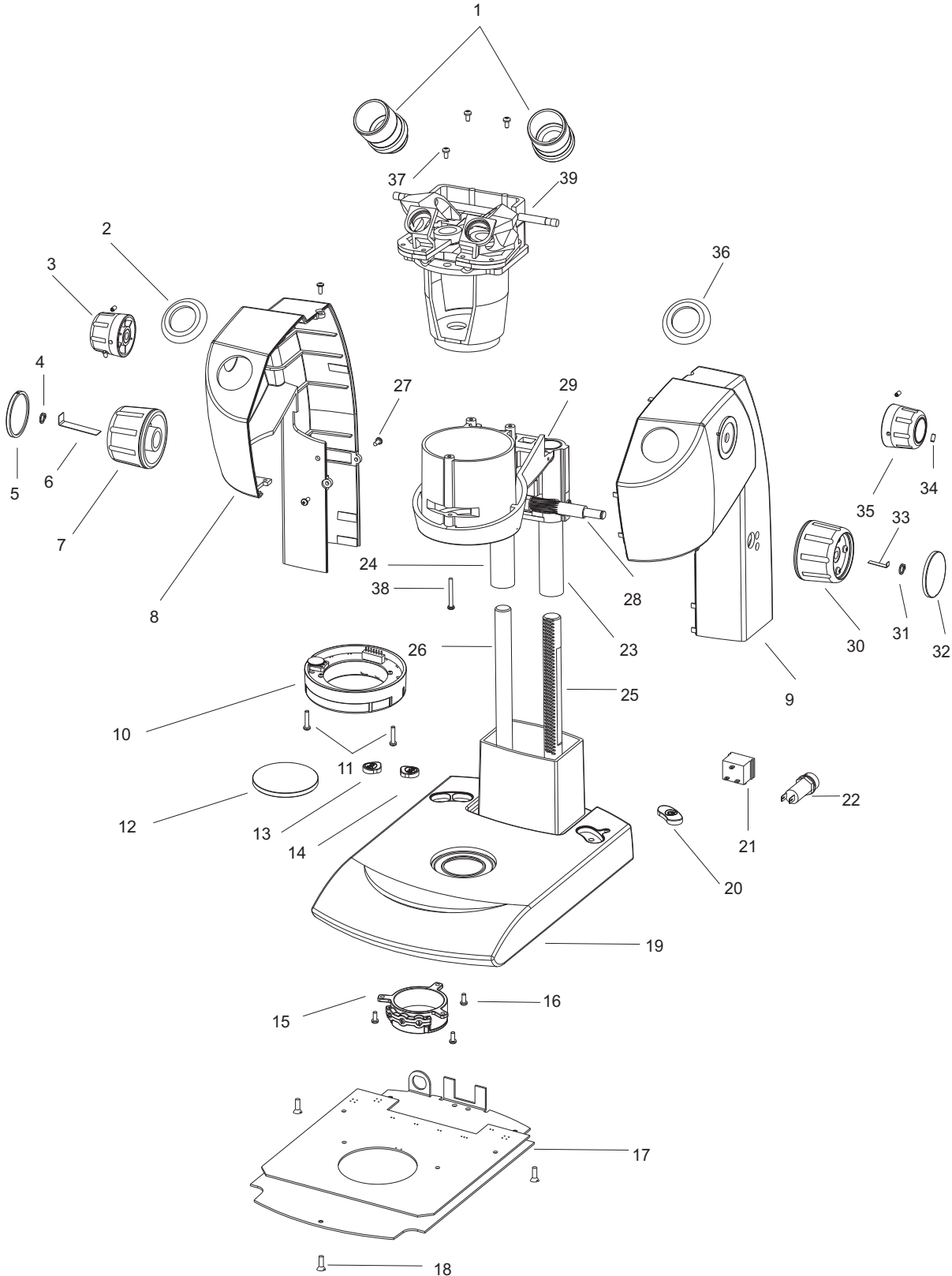
| | | |
|-----|--------------------------------------|---|
| 1.0 | Exploded Assembly for Luxeo 2S | 3 |
| 2.0 | Exploded Assembly for Luxeo 4Z | 5 |

1.0 Exploded Assembly for Luxeo 2S



| ITEM | PART NUMBER | DESCRIPTION |
|------|---------------------|--------------------------------------|
| 1 | 4131000-128 | Ocular tube |
| 2 | 4131000-203 | Rubber flap |
| 3 | 4140000-207 | Zoom Control knob |
| 4 | 4140000-109 | Compression ring |
| 5 | 4140000-215 | Decorative cap |
| 6 | 4140000-307 | Leaf spring |
| 7 | 4140000-208 | Focusing knob |
| 8 | 4131000-201 | Arm cover LH |
| 9 | 4131000-202 | Arm cover RH |
| 10 | 4140000-815 | Ring light |
| 11 | SS-662 | M3 x 15/PH/PAN/DNA |
| 12 | 4140000-601 | Frosted plate |
| 13 | 4140000-212 | Switch top light |
| 14 | 4140000-214 | Switch bottom light |
| 15 | 4140000-814 | LED housing bottom |
| 16 | SS-658 | M3 x 5.2 x PAN/ 6.0 (8.0)/ DNA |
| 17 | 4140000-303 | Base Plate |
| 18 | SS-125 | Screw M3x6 CSK |
| 19 | 4140000-501 | Base Luxeo |
| 20 | 4140000-211 | On/Off switch |
| 21 | 4140000-901 | Input socket |
| 22 | 4140000-903 | Fuse holder |
| 23 | 4140000-104 | Support tube RH |
| 24 | 4140000-105 | Support tube LH |
| 25 | 4140000-102 | Guide Rod Right (Geared) |
| 26 | 4140000-103 | Guide Rod LH |
| 27 | X54383 | KA 30 x 8 PT. OVAL/LPS (BN 13579) |
| 28 | 4140000-107 | Pinion Luxeo |
| 29 | 4131000-507 | Luxeo BKT 2S |
| 30 | 4140000-208 | Focusing knob |
| 31 | 4140000-109 | Compression ring |
| 32 | 4140000-215 | Decorative cap |
| 33 | 4140000-307 | Leaf spring |
| 34 | FS-132 | M3 x 6 Socket Set Screw |
| 35 | 4140000-207P | Zoom Knob Printing |
| 36 | 4131000-203 | Tube Flap |
| 37 | X54212 | M3 x 10 SKT head SRW |
| 38 | SS-195 | KA 30 x 25 SELF TAP/ LPS (BN: 82428) |
| 39 | A4141100 (A4141200) | Head 2S 1x/3x (2x/4x) |

2.0 Exploded Assembly for Luxeo 4Z



| ITEM | PART NUMBER | DESCRIPTION |
|------|--------------|--------------------------------------|
| 1 | 4140000-219 | Eye Tube Luxeo -L |
| 2 | 4131000-203 | Rubber flap |
| 3 | 414000-207M | Zoom Control knob |
| 4 | 4140000-109 | Compression ring |
| 5 | 4140000-215 | Decorative Disc (M) |
| 6 | 4140000-307 | Leaf spring |
| 7 | 4140000-208 | Focusing knob |
| 8 | 4140000-201 | Arm cover LH |
| 9 | 4140000-202 | Arm cover RH |
| 10 | 4140000-815 | Assy Ring light |
| 11 | SS-662 | M3 x 15/PH/PAN/DNA |
| 12 | 4140000-601 | Frosted plate |
| 13 | 4140000-212 | Switch top light |
| 14 | 4140000-214 | Switch bottom light |
| 15 | 4140000-814 | Assy LED housing bottom |
| 16 | SS-658 | M3 x 5.2 x PAN/ 6.0 (8.0)/ DNA |
| 17 | 4140000-303 | Base Plate |
| 18 | SS-125 | Screw M3x6 CSK |
| 19 | 4140000-501 | Base Luxeo |
| 20 | 4140000-211 | On/Off switch |
| 21 | 4140000-901 | Input socket |
| 22 | 4140000-903 | Fuse holder |
| 23 | 4140000-104 | Support tube RH |
| 24 | 4140000-105 | Support tube LH |
| 25 | 4140000-102 | Guide Rod RH (Geared) |
| 26 | 4140000-103 | Guide Rod LH |
| 27 | X54383 | KA 30 x 8 PT. OVAL/LPS (BN 13579) |
| 28 | 4140000-107 | Pinion |
| 29 | 4140000-502 | BKT. Mach. |
| 30 | 4140000-208 | Focusing knob |
| 31 | 4140000-109 | Compression ring |
| 32 | 4140000-215 | Decorative cap |
| 33 | 4140000-307 | Leaf spring |
| 34 | FS-132 | M3 x 6 Socket Set Screw |
| 35 | 4140000-207P | Zoom control knob printed |
| 36 | 4131000-203 | Rubber flap eye tube |
| 37 | X54212 | M3 x 10 SKT head SRW |
| 38 | SS-195 | KA 30 x 25 SELF TAP/ LPS (BN: 82428) |
| 39 | 4140050 | Assy Head 4Z |



www.laboamerica.com

Our policy is one of continuous development. Labo America, Inc., reserves the right to change design and specifications without prior notice.

Labo America Inc.
920 Auburn Court
Fremont
CA 94538

U.S.A.
Telephone: 510 445 1257
Fax: 510 991 9862
sales@laboamerica.com



LABOMED and Luxeo are registered trademarks of Labo America, Inc.
With a policy of continuous development, Labo America, Inc. reserves the right to change design and specifications without prior notice.
© 2009 Labo America, Inc. | 4144000-793 05-2020

ISO 9001 : 2008
File No. A9020