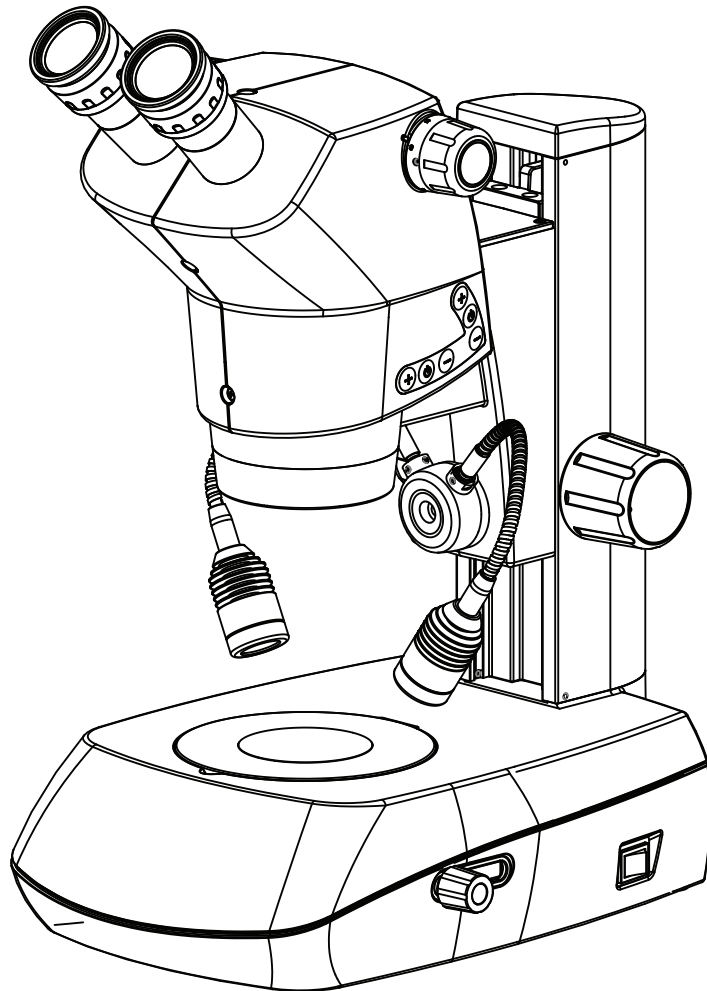


# Luxeo 6Z Service/ Part List Manual

## Stereo

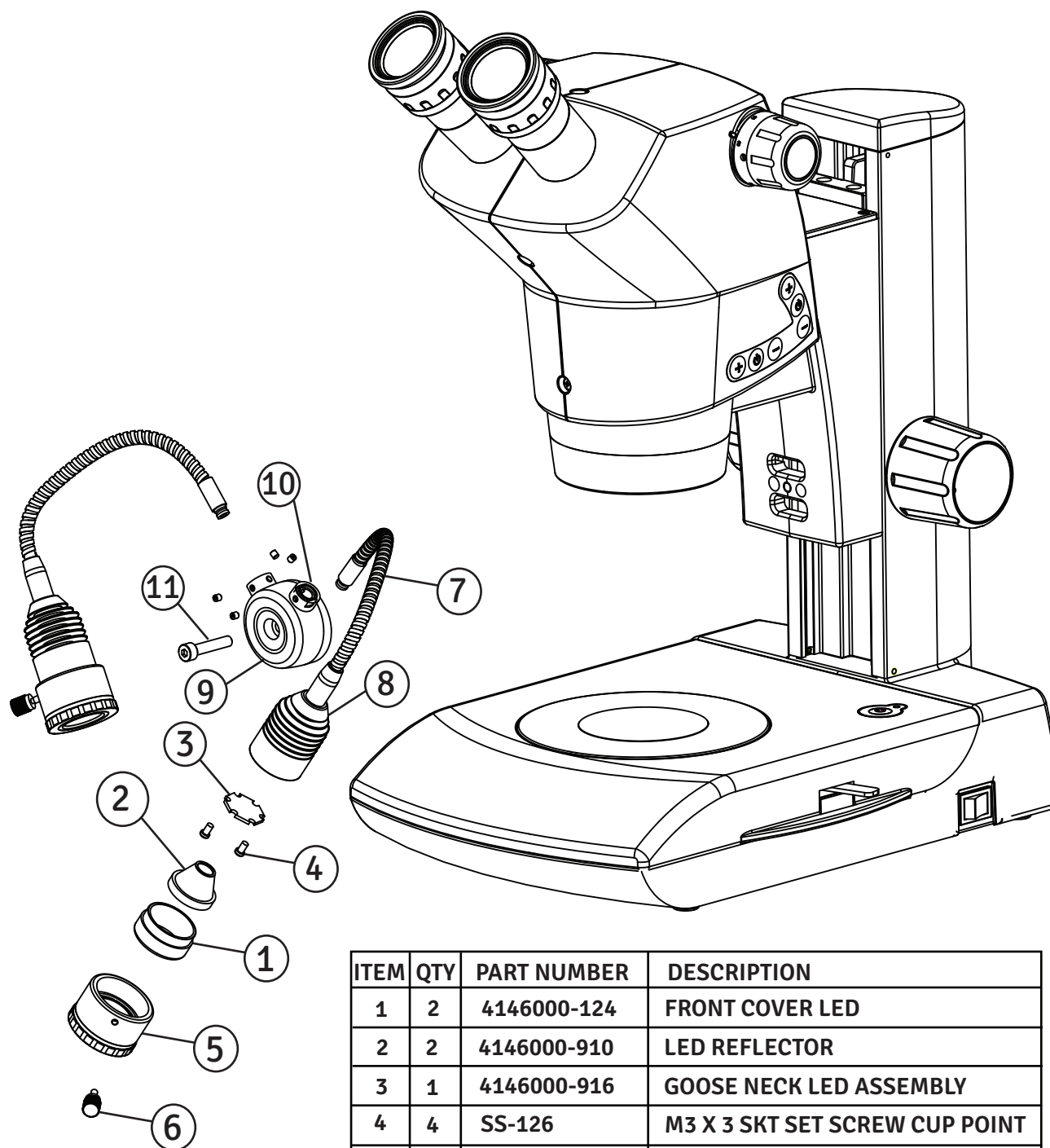


To ensure proper use of this instrument as well as to avoid injury while operating instrument, understanding this manual Completely before use is highly recommended.

# CONTENTS

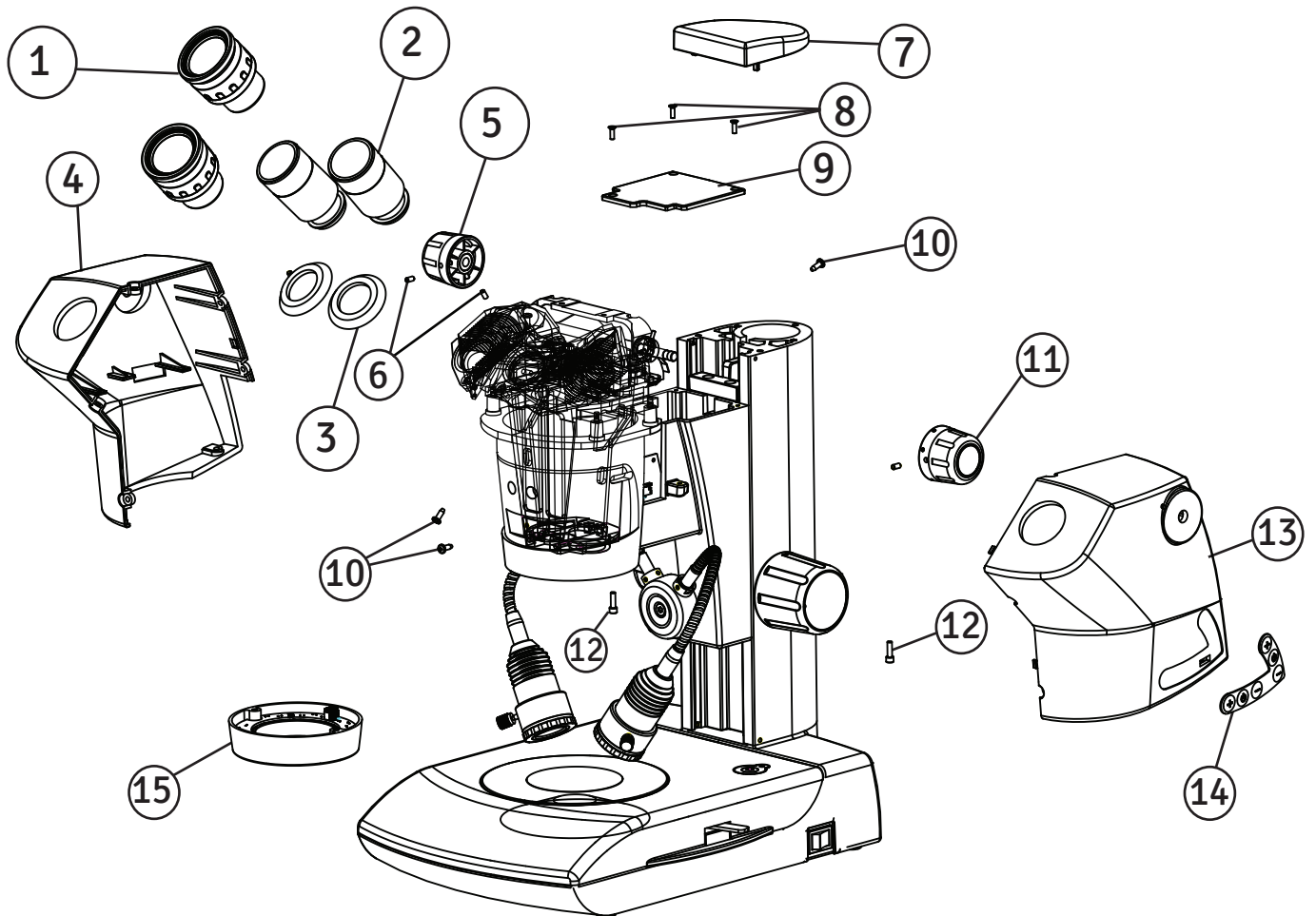
<b>1. GOOSE NECK ASSEMBLY</b>	<b>1</b>
<b>2. MICROSCOPE ASSEMBLY</b>	<b>2</b>
<b>3. DARK FIELD BASE ASSEMBLY</b>	<b>3</b>
<b>4. RING LIGHT ASSEMBLY</b>	<b>4</b>
<b>5. MIRROR BASE ASSEMBLY</b>	<b>5</b>

# 1. GOOSE NECK ASSEMBLY



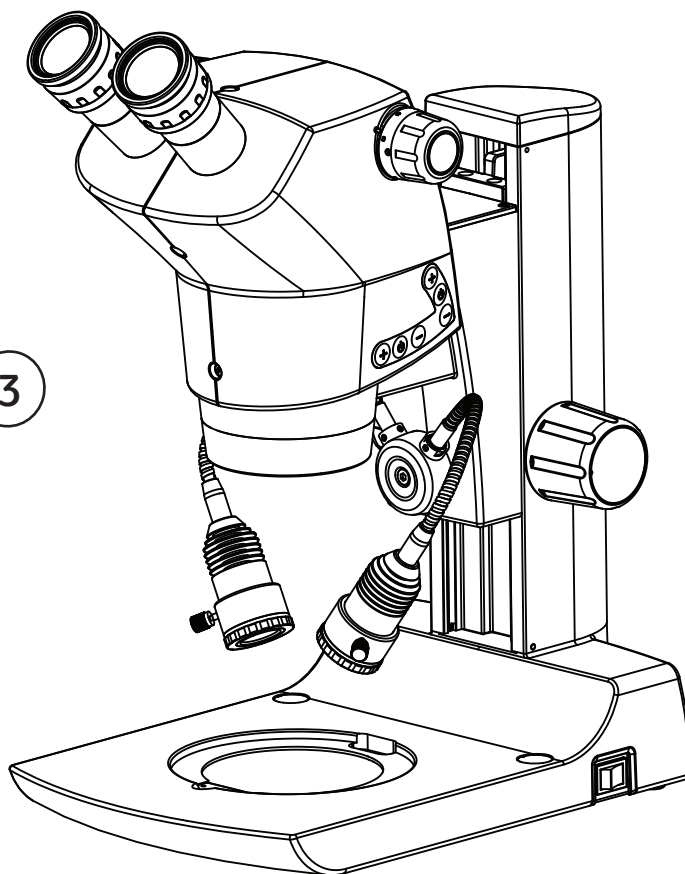
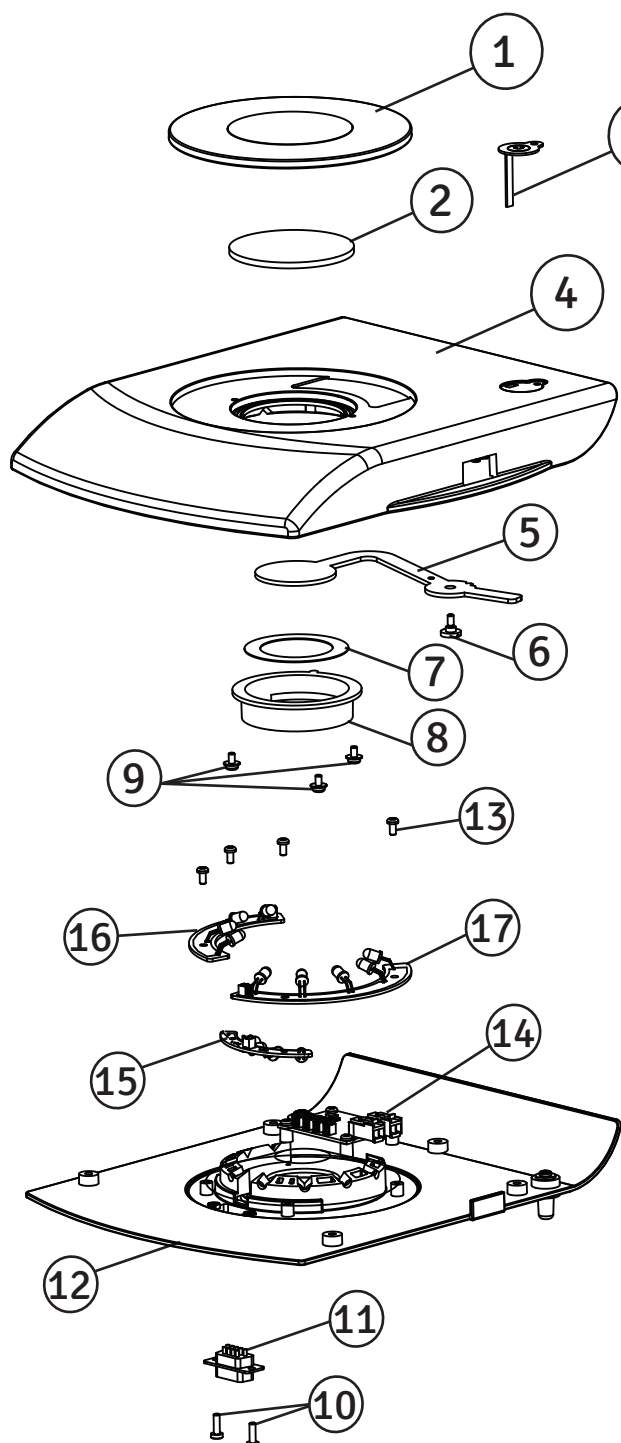
ITEM	QTY	PART NUMBER	DESCRIPTION
1	2	4146000-124	FRONT COVER LED
2	2	4146000-910	LED REFLECTOR
3	1	4146000-916	GOOSE NECK LED ASSEMBLY
4	4	SS-126	M3 X 3 SKT SET SCREW CUP POINT
5	1	4146090-805	POLORISER ASSEMBLY
6	1	13496040-435	THUMB SCREW
7	1	8145000-842	GOOSE NECK CABLE
8	1	4146000-125	LED MOUNT GOOSE NECK
9	1	4147000-204	GOOSE NECK MOUNT
10	1	4147000-835	GOOSE NECK ASSEMBLY
11	1	SS-168	M5 X 25 SKT HD

## 2. MICROSCOPE ASSEMBLY



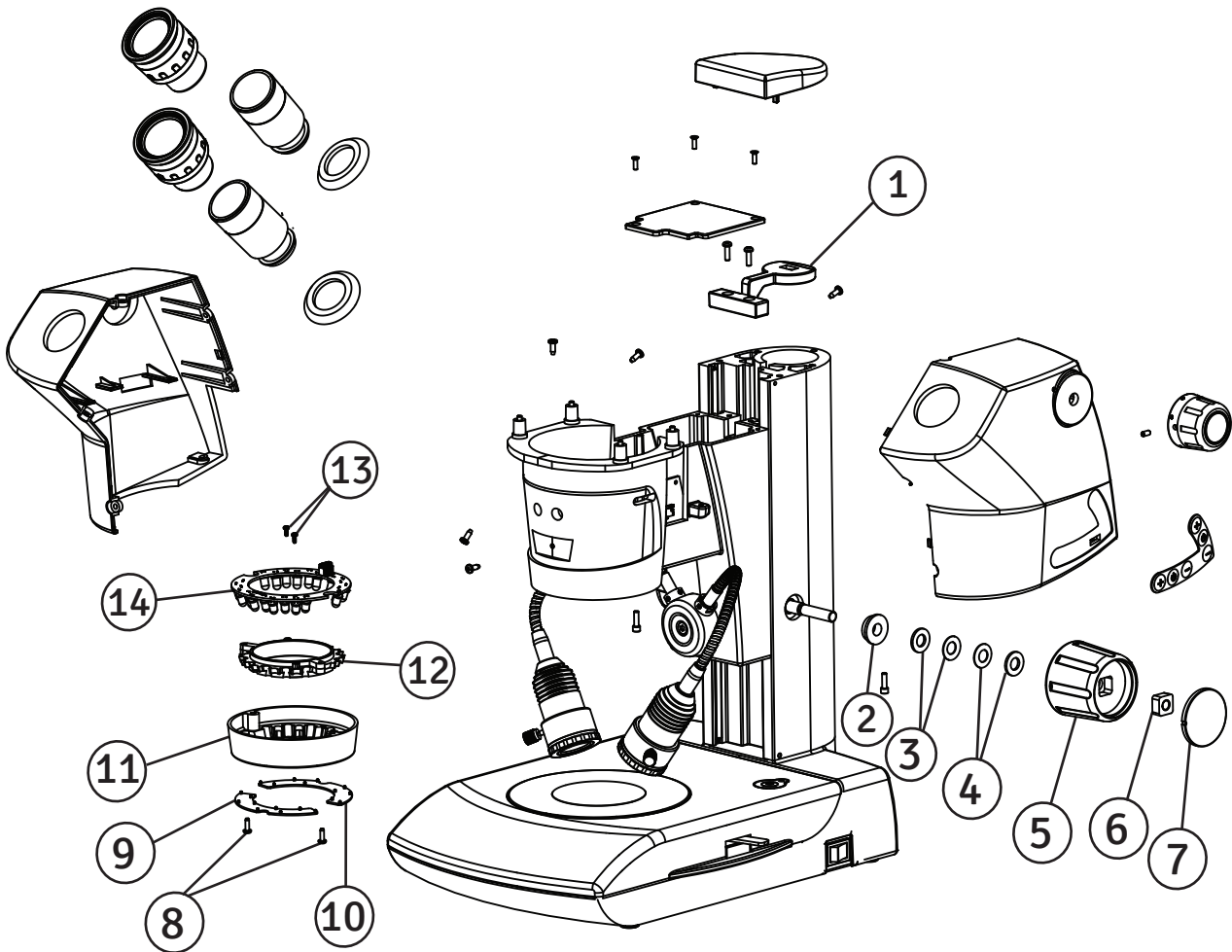
ITEM	QTY	PART NUMBER	DESCRIPTION
1	2	4147010	EYE PIECES
2	2	4146000-130	OCCULAR TUBE
3	1	4131000-203	RUBBER FLAP
4	4	4146000-201	BRACKET COVER LEFT
5	1	4140000-207	ZOOM CONTROL KNOB
6	1	FS-132	SCREW
7	1	4147000-205	TOP COVER COLUMN
8	1	SS-351	SCREW
9	1	4146000-212	BRACKET COVER
10	1	X54383	SCREW
11	1	4146000-224	ZOOM CONTROL KNOB
12	1	SS-664	SCREW
13	1	4146000-202	BRACKET COVER RIGHT
14	1	4146000-904	MEMBRANE SWITCH
15	1	A4146100-806	RING LIGHT ASSEMBLY

### 3. DARK FIELD BASE ASSEMBLY



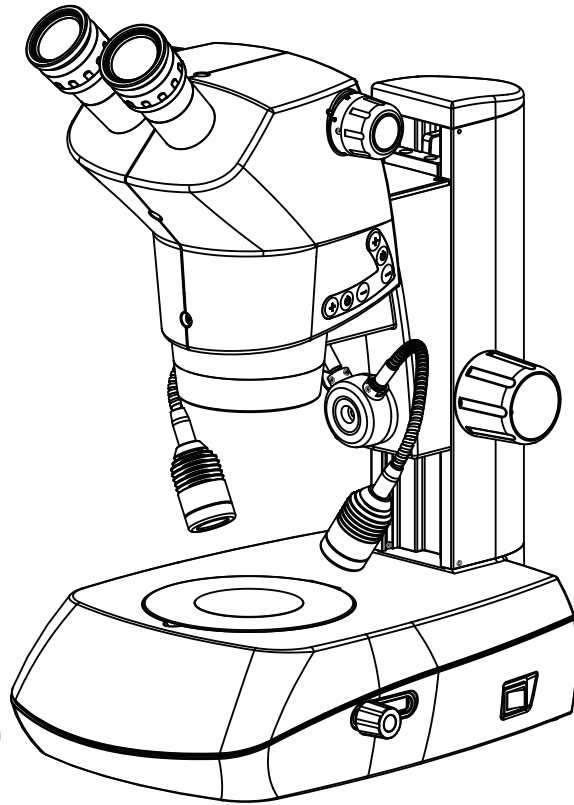
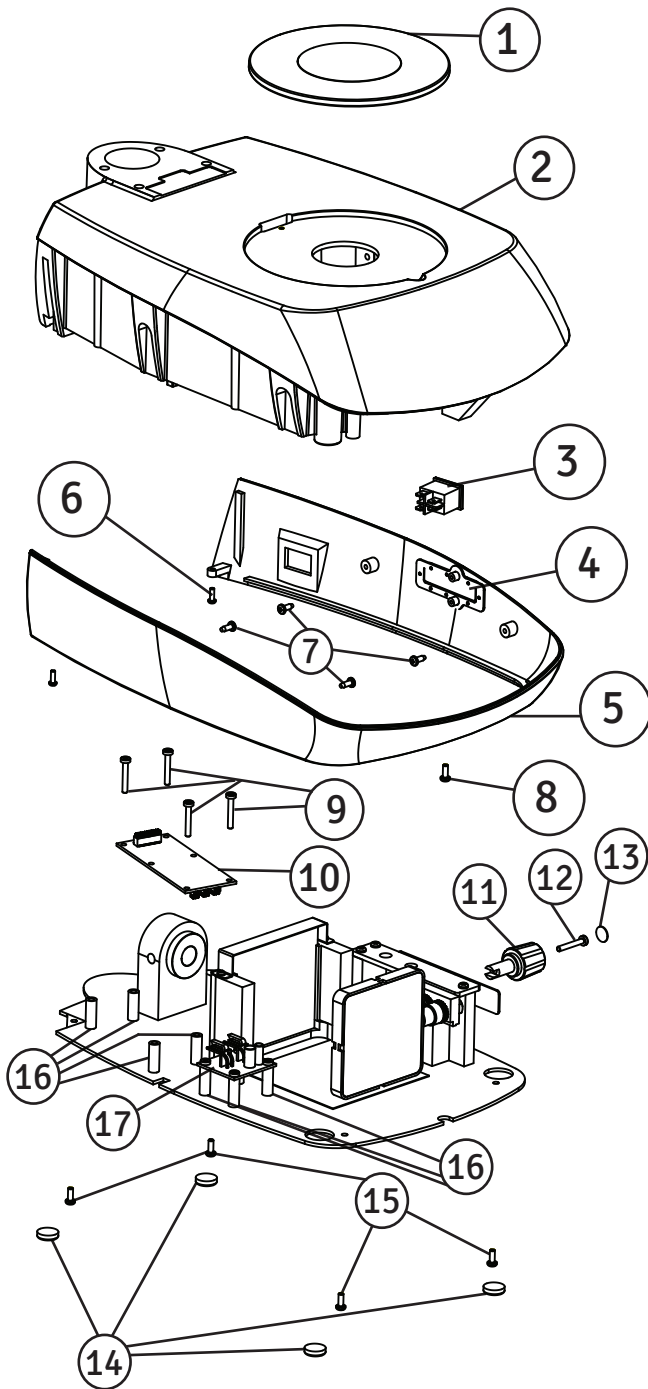
ITEM	QTY	PART NUMBER	DESCRIPTION
1	1	4147000-215	SPECIMEN PLATE
2	1	4147000-617	GLASS PLATE
3	1	4147000-907	SINGLE MEMBRANE SWITCH
4	1	4147000-502	BASE DARK FIELD
5	1	4146000-301	LEVER
6	1	4146000-116	SEAT SCREW LEVER
7	1	4146000-302	APERTURE PLATE
8	1	4147000-210	DIFFUSER CUP
9	1	SS-918	SCREW
10	2	SS-661	M3 X 12 PH/PAN HD SCREW
11	1	4146000-912M	9 PIN CONNECTOR MALE
12	1	4147000-208M	SUPPORT PLATE B.F
13	4	X54383	SCREWS
14	1	4147000-952	P43 BOARD ASSEMBLY
15	1	4147000-958	4 LED BOTTOM ASSEMBLY
16	1	4147000-957	4 LED ASSY DF WITH PCB
17	1	4147000-956	5 LED ASDY DF WITH PCB

## 4. RING LIGHT ASSEMBLY



ITEM	QTY	PART NUMBER	DESCRIPTION
1	1	4146000-215	WIRE CARRIER
2	1	4146000-135	SPACER
3	1	4146000-115	STYENE WASHER
4	1	4146000-355	DISC WASHER
5	1	4147000-206	FOCUSING KNOB
6	1	4146000-223	SQUARE NUT
7	1	4146000-215	DECORATIVE CAP
8	2	SS-714	KA 25 X 8 PH OVAL/SELF TAP SCREW
9	1	4146000-216M	DIFFUSER FRONT
10	1	4146000-217M	DIFFUSER BACK
11	1	4146000-204	LED HOUSING
12	1	4146000-203	CLAMP FOR LED
13	2	SS-909	KA 18 X 5 SELF TAPPING SCREW
14	1	4146000-906	LED ASSEMBLY PCB

# 5. MIRROR BASE ASSEMBLY



ITEM	QTY	PART NUMBER	DESCRIPTION
1	1	4147000-215	SPECIMEN PLATE
2	1	4146300-501	MIRROR BASE
3	1	WSWT20024	ON/OFF SWITCH
4	1	4146300-202M	DUST PROTECTOR
5	1	4146300-201M	BASE COVER
6	1	SS-655	M2.5 X 7.5 PAN HD SCREW
7	4	X54383	KA 30 X 8 PT OVAL SCREW
8	1	SS-659	KA 30 X 8 PT OVAL SCREW
9	4	SS-923	M3 X 18 PAN HD SCREW
10	1	4140000-903	MAIN CONTROLLER BOARD
11	1	4146300-106	KNOB
12	1	SS-663	M3 X 25 PH/ PAN SCREW
13	1	4146300-308	DECORATIVE DISC
14	4	4140000-210	3M BUMPER
15	4	SS-125	M3 X 8 CSK/PH. SCREW
16	4	4146000-126	SPACER
17	1	4146000-913	FILTER BOARD



**Labo America Inc.**  
920 Auburn Court  
Fremont, CA  
94538  
U.S.A.

Phone: 510-445-1257

Fax: 510-991-9862

Email: [sales@laboamerica.com](mailto:sales@laboamerica.com)

[www.laboamerica.com](http://www.laboamerica.com)

**EU|REP.**

**Labomed Europe b.v.**  
T.a.v.: Cor Treure  
Essebaan 52,  
2908 LK Capelle a an den Ijssel  
THE NETHERLANDS

Phone: +31-10-458-4222,

Fax: +31-10-450-8251

