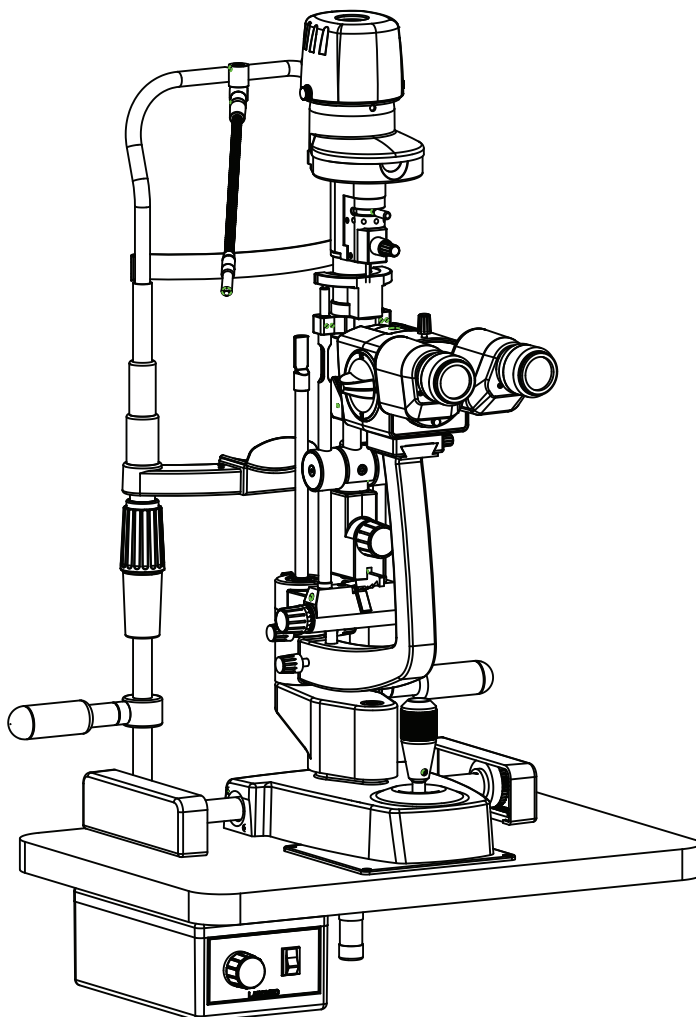


eVO 400 Service/ Part List Manual

Slit Lamp

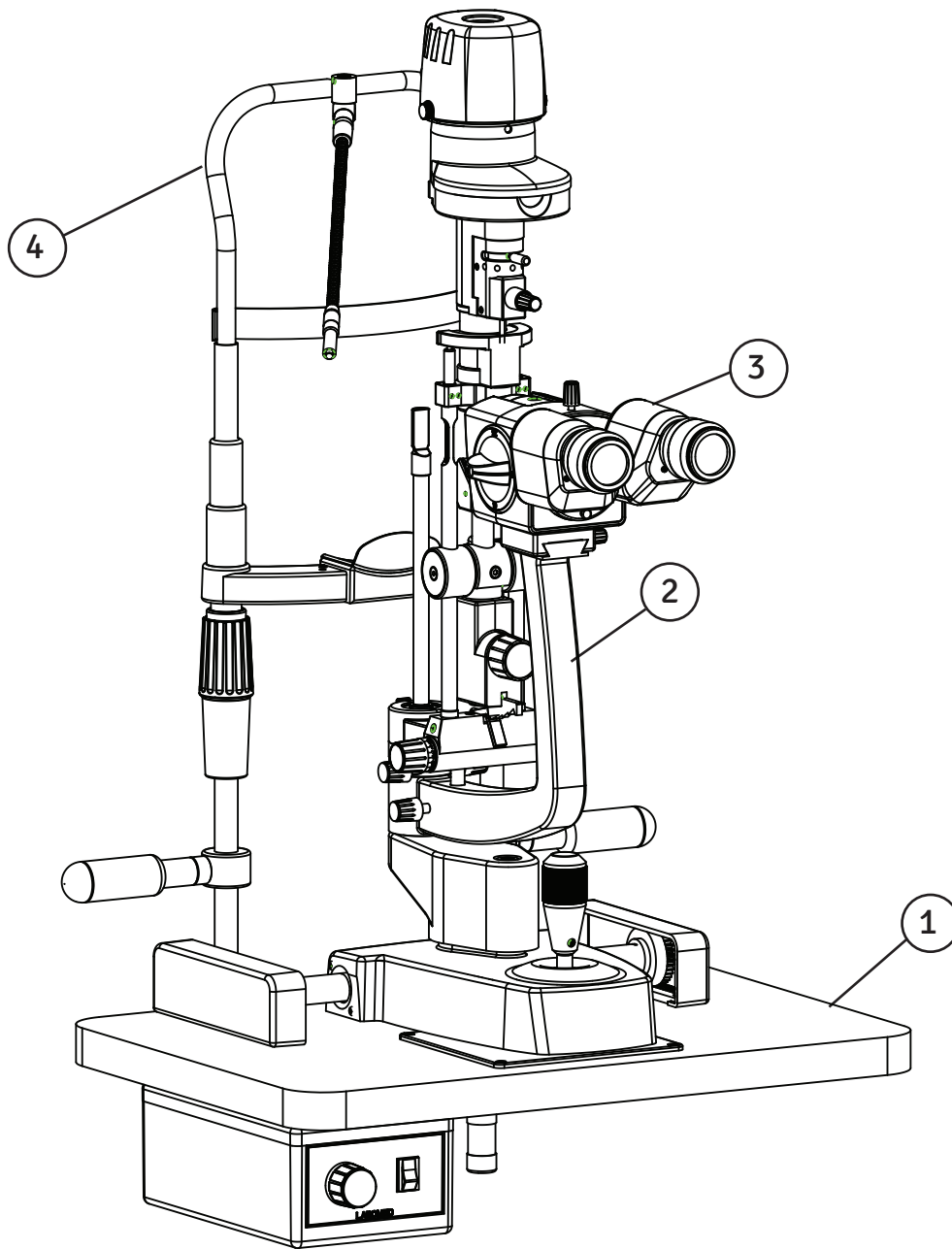


To ensure proper use of this instrument as well as to avoid injury while operating instrument, understanding this manual Completely before use is highly recommended.

CONTENTS

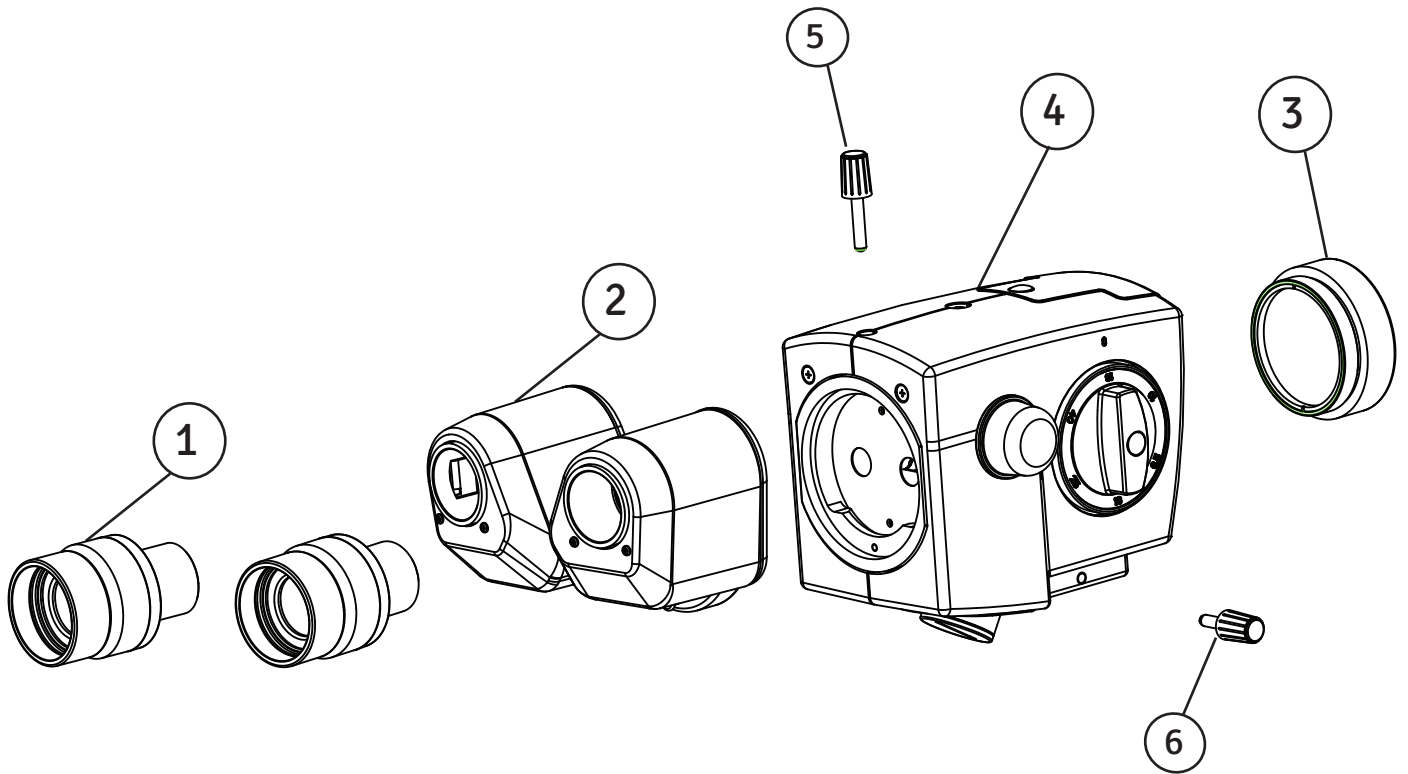
1. SLIT LAMP ASSEMBLY	1
2. MAGNICHANGER ASSEMBLY	2
3. CHIN REST ASSEMBLY	3
4. ILLUMINATION ASSEMBLY	4 - 5
5. BASE ASSEMBLY	6 - 7
6. PLATE FORM ASSEMBLY	8
7. POWER SUPPLY ASSEMBLY	9

1. SLIT LAMP ASSEMBLY



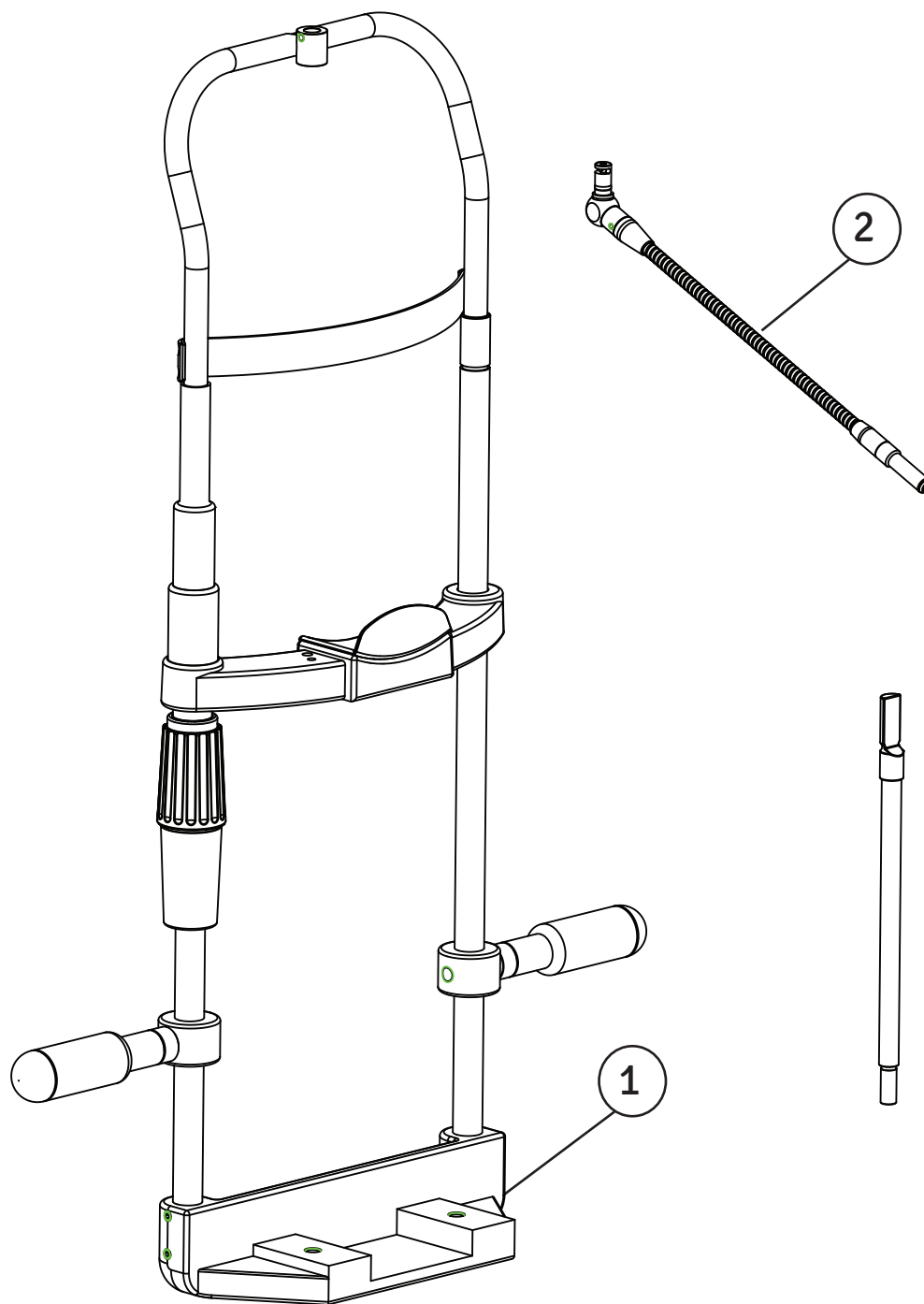
ITEM	QTY	PART NUMBER	DESCRIPTION
1	1	8127200-808	TABLE ASSEMBLY
2	1	8127200-814	SLIT LAMP ASSEMBLY
3	1	8127200-815	MICROSCOPE ASSEMBLY
4	1	8134800-801	CHIN REST UNIT

2. MAGNICHANGER ASSEMBLY



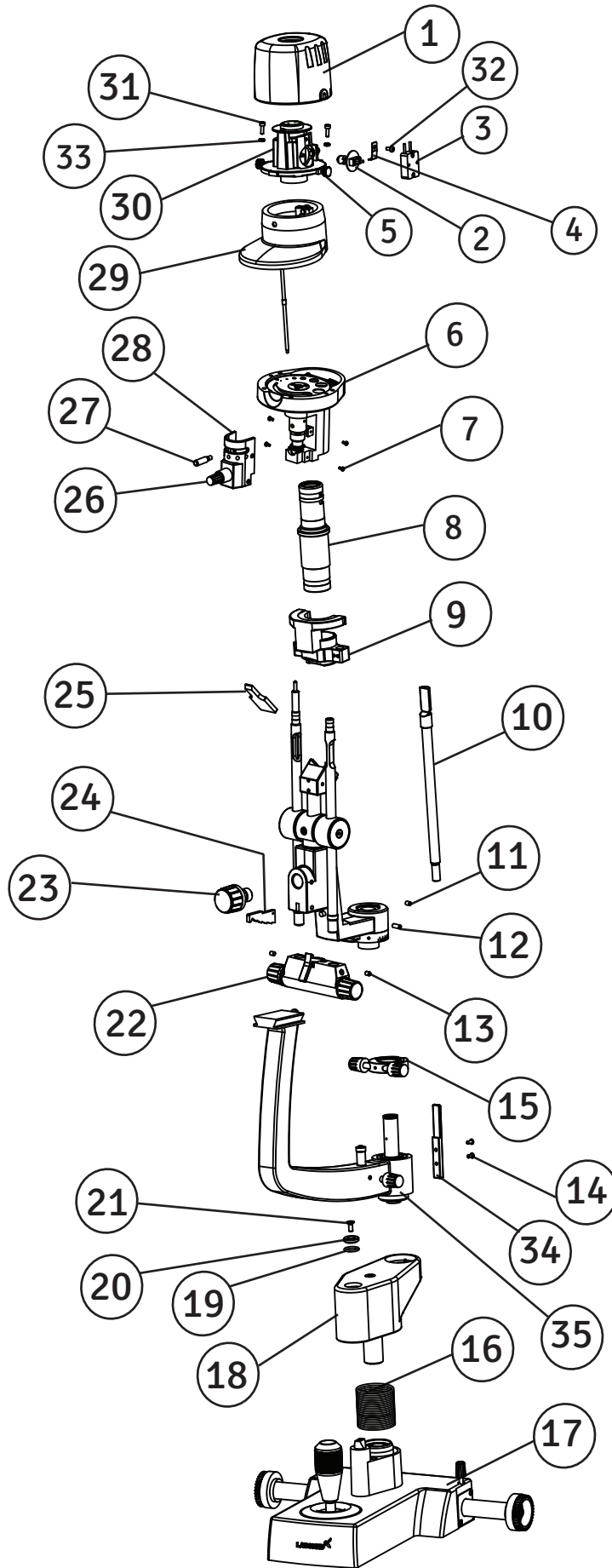
ITEM	QTY	PART NUMBER	DESCRIPTION
1	2	A8131012	EYE PIECE ASSEMBLY
2	1	A8132000-800	BINOCULAR HEAD ASSEMBLY
3	1	A8126200-812	CMO ASSEMBLY
4	1	A8127200-801	MAGNICHANGER ASSEMBLY
5	1	8123000-804	HEAD LOCKING KNOB
6	1	8123000-805	LOCKING KNOB ASSEMBLY

3. CHIN REST ASSEMBLY



ITEM	QTY	PART NUMBER	DESCRIPTION
1	1	A8134800-800	CHIN REST
2	1	A8134850-801	GOOSE NECK ASSEMBLY

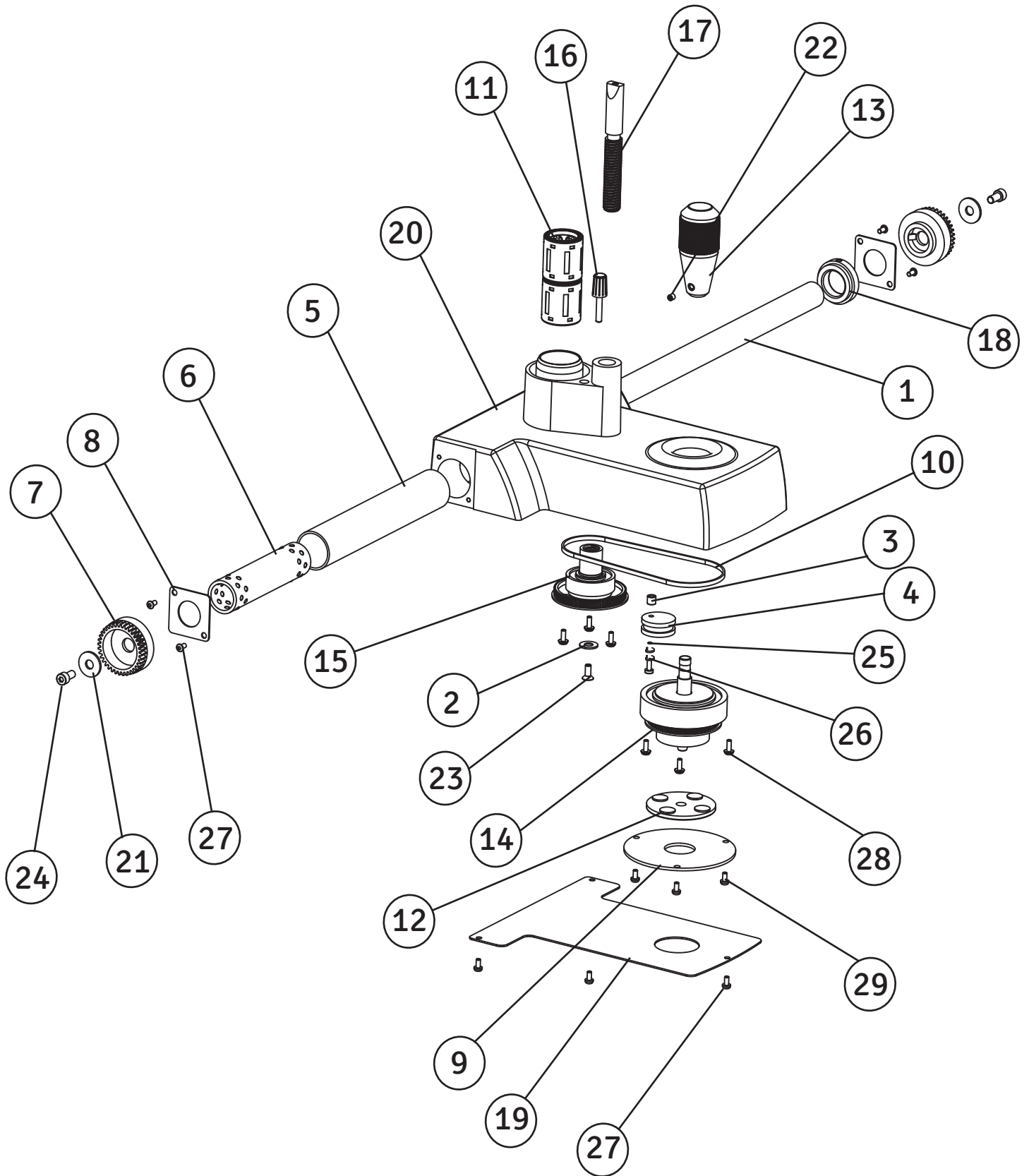
4. ILLUMINATION ASSEMBLY



ILLUMINATION ASSEMBLY (continued)

ITEM	QTY	PART NUMBER	DESCRIPTION
1	1	8127200-201	LAMP COVER BLACK
2	1	8124300-401	HALOGEN LAMP 6V-20W
3	1	8124300-407	BULB HOLDER
4	1	8134300-302	BULB CLAMP
5	2	8134300-806	THUMB SCREW LAMP COVER
6	1	A8134500-806	FILTER HOUSING
7	1	SS-651	(M2X4.0) PAN HEAD SCREW
8	1	A8134700-800	PROJECTION SYSTEM ASSEMBLY
9	1	A8134450-800	BRIDGE ASSEMBLY
10	1	A15120-226	FOCUSING ROD ASSEMBLY
11	1	FS-153	SCREW M4X6 SKT. SET
12	1	SS-162	SCREW M4X10 SKT. SET
13	2	13X54268	M4X5 SKT. SET/LPS
14	2	X54189	M3X6 BUTTON HEAD/UB
15	1	8134200-801	LOCK RING ASSEMBLY
16	1	8134100-402	SPRING
17	1	A8127200-825	BASE ASSEMBLY
18	1	8124600-802	JACK SUB ASSEMBLY
19	1	8124600-404	O. RING
20	1	8124600-104	STEP WASHER
21	2	SS-154 (M4)	SCREW M4X10 SKT FLAT HEAD
22	1	A8134400-810	CAM HOUSING ASSEMBLY
23	1	8134250-801	LOCKING KNOB ASSEMBLY
24	1	8134250-302	RATCHET
25	1	8134750-601	MIRROR
26	1	2615403	RITEL KNOB 15mm
27	1	8134500-111	FILTER LEVER
28	1	8134500-803	PINION BEVEL GEAR ASSEMBLY
29	1	A8134400-800	SLIT ASSEMBLY HS
30	1	8134300-101	LAMP HOUSING
31	2	SS-160	M3X6.0 HEAD CAP SCREW
32	1	SS-658	M3X6 PAN HEAD SCREW
33	2	13X55665	TOOTH WASHER M3
34	1	8134200-103	INDEXING PLATE
35	1	A8134200-800	ARM ASSEMBLY

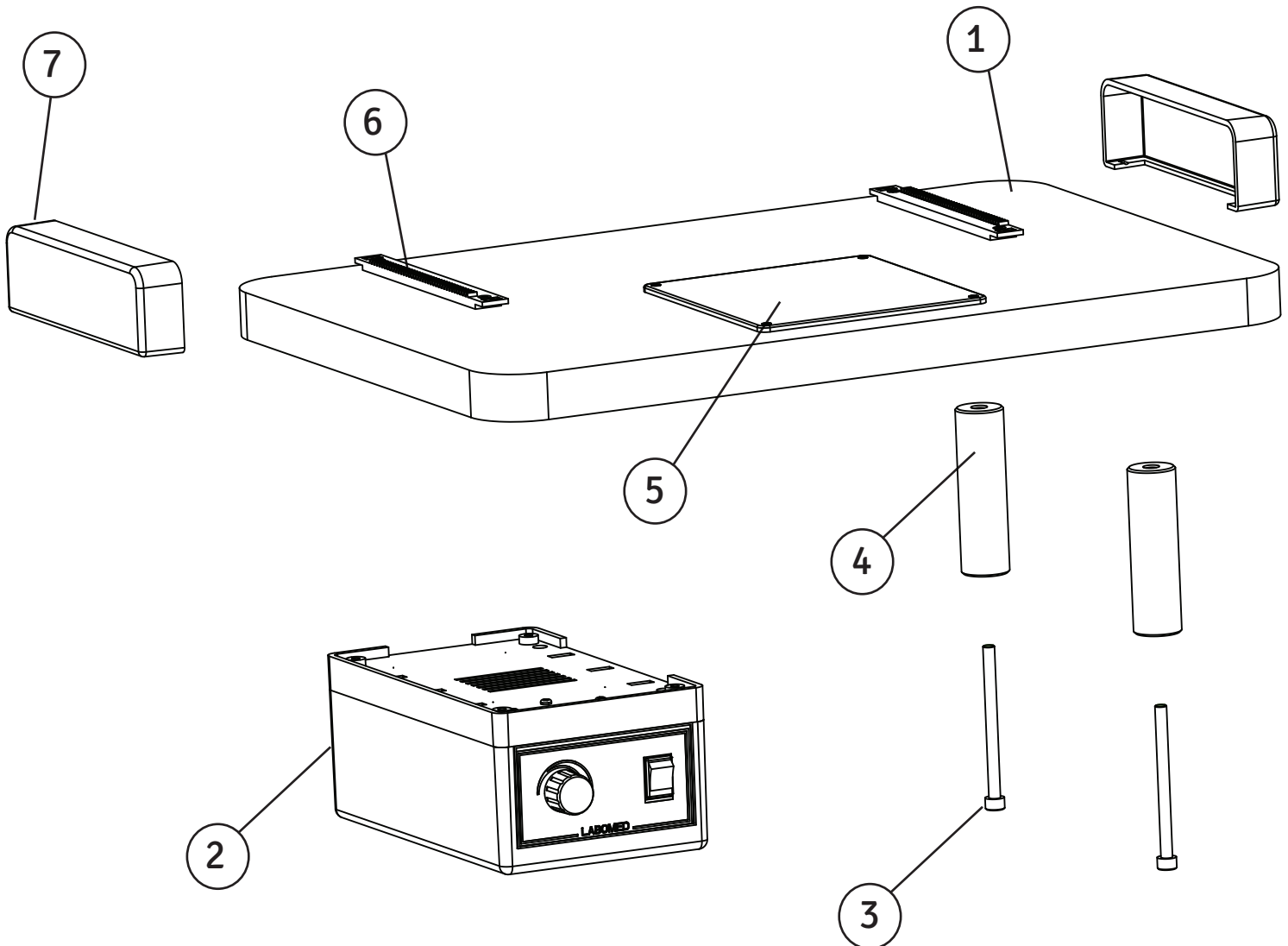
5. BASE ASSEMBLY



BASE ASSEMBLY (continued)

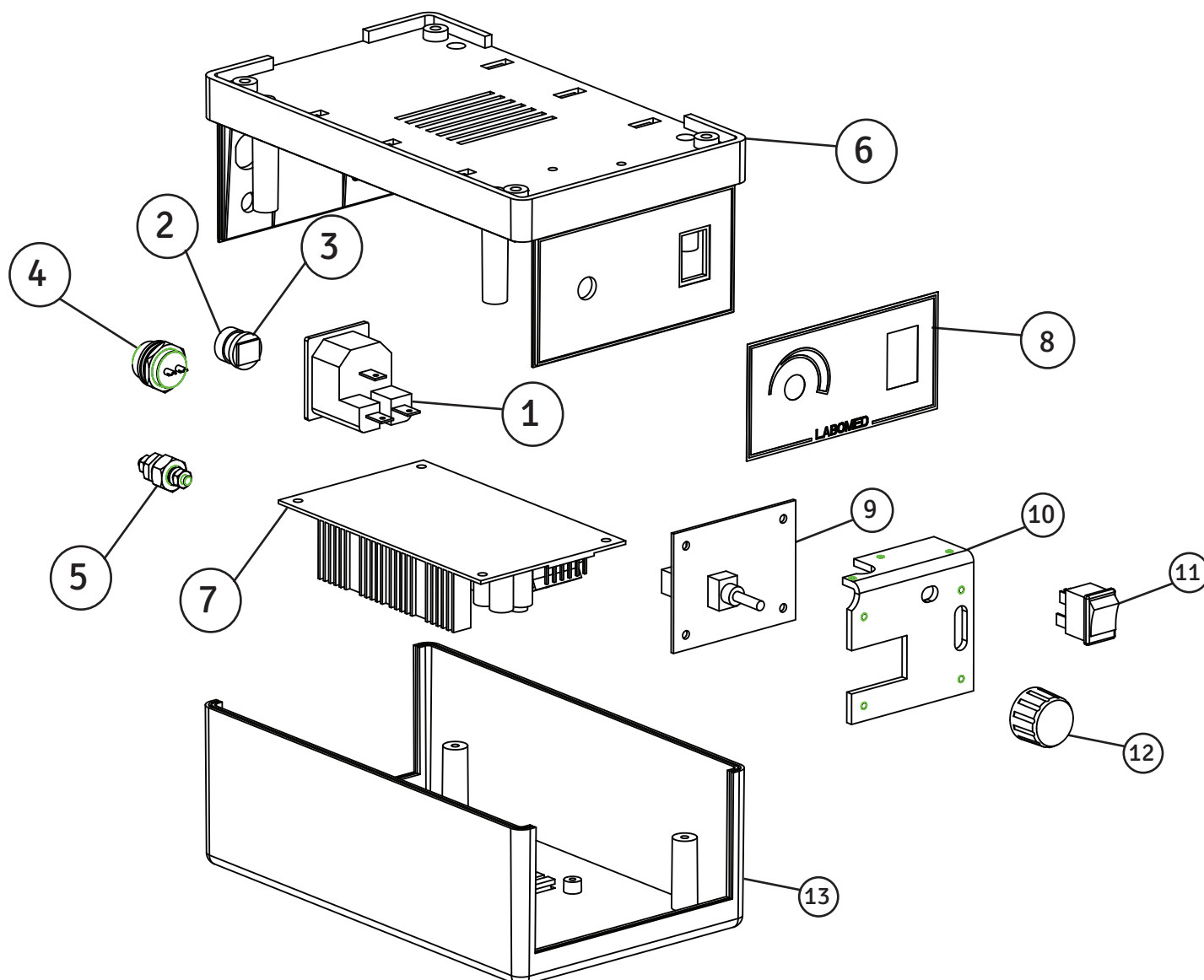
ITEM	QTY	PART NUMBER	DESCRIPTION
1	1	8124100-101R	SHAFT GEAR WHEEL
2	1	8124100-103	WASHER
3	1	8124100-105	SPACER
4	1	8124100-106	IDLER
5	1	8124100-123	S.S SLEEVE
6	1	8124100-124	HORIZONTAL BALL GAGE
7	2	8124100-200	GEAR WHEEL
8	2	8124100-301	GUIDE SUPPORT PLATE
9	1	8124100-302	FIXED PLATE
10	1	8124100-412	TIMING BELT
11	2	8124100-415	LBBR (20) BEARING
12	1	8124100-116	MOVING DISC ASSEMBLY
13	1	8124100-110	HANDLE ASSEMBLY
14	1	8124100-804	JOY STICK ASSEMBLY
15	1	8124100-205	DRIVEN GEAR ASSEMBLY
16	1	8124100-807	BASE LOCKING KNOB
17	1	8124600-103	JACK THREADED SHAFT
18	1	8126200-118	LOCK RING
19	1	8126200-302	BASE PLATE
20	1	8126200-810	SUB ASSEMBLY BASE
21	2	900083-67	PLAIN WASHER
22	1	SS-143	M4X4 SKT SET SCREW
23	2	SS-154	SOCKET FLAT HD SCREW M4X10
24	2	SS-175	M6X10 SOCKET HEAD CAP SCREW
25	1	SS-190	M3X20MM PH. HD.
26	2	SS-277	SPRING WASHER-M3
27	7	X54189	PAN HD SCREW M3X6.0
28	6	SS-657L	PHILLIPS PAN WASHER HEAD SCREW M3X80
29	3	SS-658L	M3/5.5 PAN/ 6.0 (8.0) DNA

6. PLATE FORM ASSEMBLY



ITEM	QTY	PART NUMBER	DESCRIPTION
1	1	8124100-113LB	WOODEN PLATE FORM ASSEMBLY
2	1	A8124900H	ELECTRIC POWER SUPPLY ASSEMBLY
3	2	SS-805	SCREW (BOLT FOR PILLAR)
4	2	8124100-120	BASE PILLAR
5	1	8124100-118	MILKY PLATE
6	2	8124100-201	RACK
7	2	15140-003	RAIL COVER

7. POWER SUPPLY ASSEMBLY



ITEM	QTY	PART NUMBER	DESCRIPTION
1	1	8124900-949	INLET SOCKET
2	1	3140000-014	CAP DC SOCKET
3	1	3140000-908	DC SOCKET
4	1	8124900-983F	2-PIN CONNECTOR FEMALE
5	1	8124900-114	EARTHING SCREW
6	1	8124900-202	HOUSING ELECTRICAL POWER SUPPLY
7	1	A8124000-200	SWITCHING POWER SUPPLY
8	1	8124900-351	LABEL "LABOMED"
9	1	A812400-200A	BUCK CONVERTER ASSEMBLY
10	1	8124900-947	HEAT SINK
11	1	8124900-950	ON/OFF SWITCH
12	1	8124900-103	REGULATOR KNOB
13	1	8124900-201	COVER ELECTRICAL POWER SUPPLY



Labo America Inc.
920 Auburn Court
Fremont, CA
94538
U.S.A.

Phone: 510-445-1257
Fax: 510-991-9862
Email: sales@laboamerica.com
www.laboamerica.com

EU|REP.

Labomed Europe b.v.
T.a.v.: Cor Treure
Essebaan 52,
2908 LK Capelle a an den Ijssel
THE NETHERLANDS

Phone: +31-10-458-4222,
Fax: +31-10-450-8251

