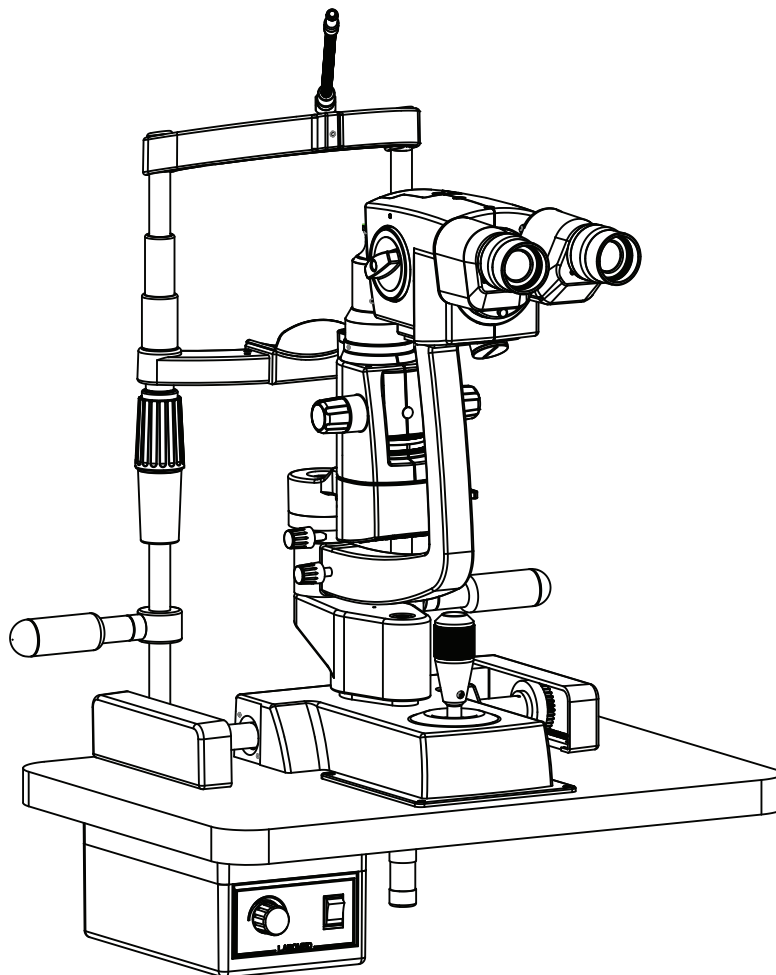


eVO 300 Service/ Part List Manual

Slit Lamp

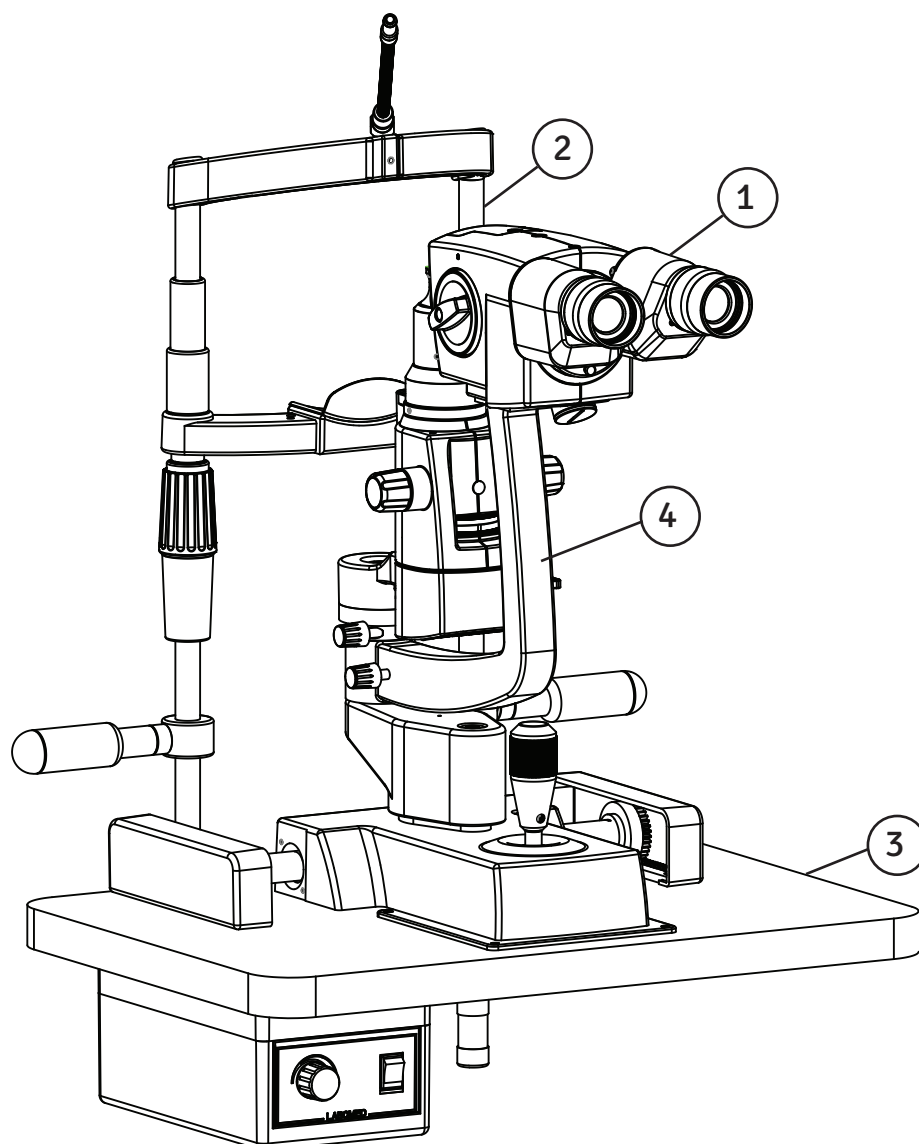


To ensure proper use of this instrument as well as to avoid injury while operating instrument, understanding this manual Completely before use is highly recommended.

CONTENTS

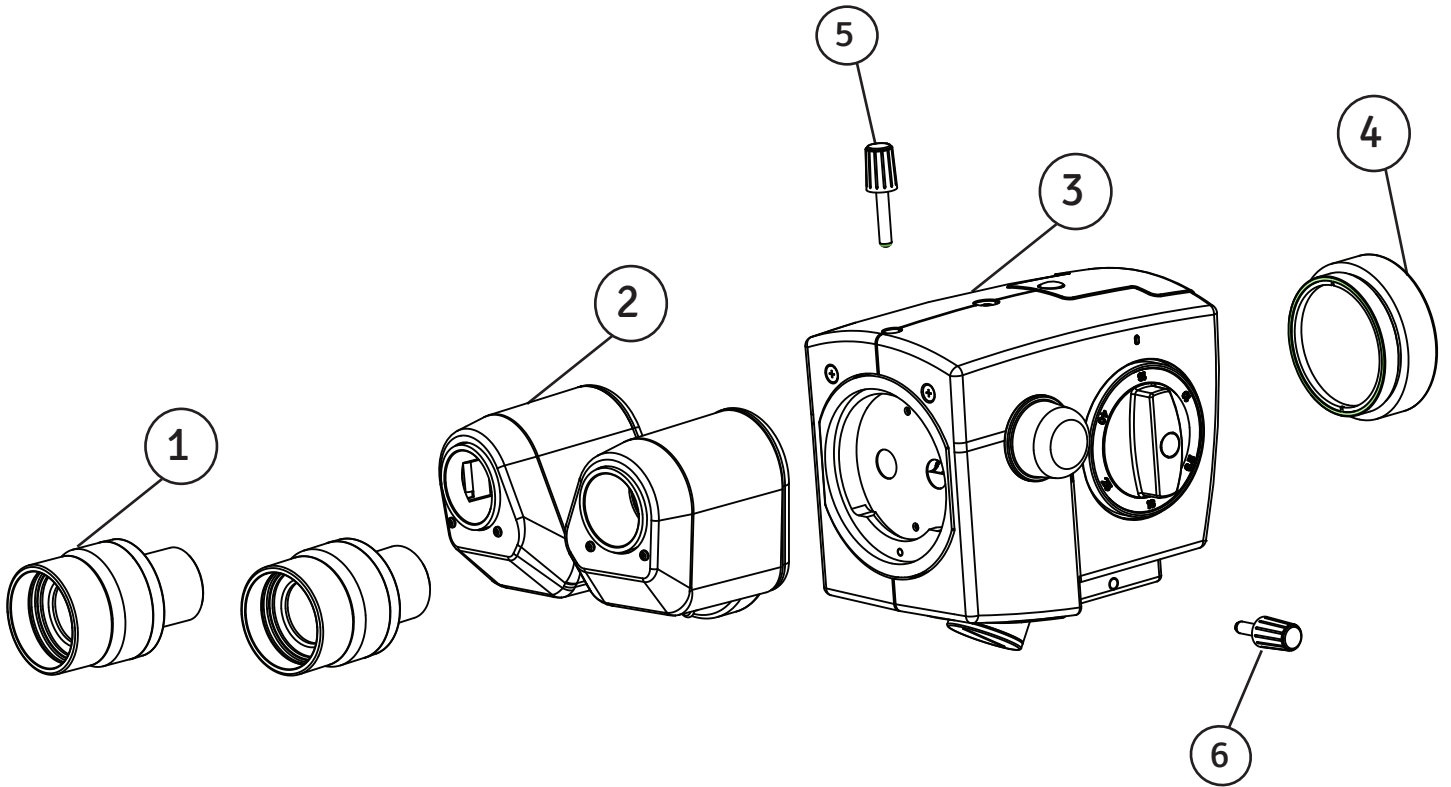
1. SLIT LAMP ASSEMBLY	1
2. MAGNICHANGER ASSEMBLY	2
3. CHIN REST ASSEMBLY	3
4. ILLUMINATION ASSEMBLY	4
5. BASE ASSEMBLY	5 - 6
6. PLATE FORM ASSEMBLY	7
7. POWER SUPPLY ASSEMBLY	8

1. SLIT LAMP ASSEMBLY



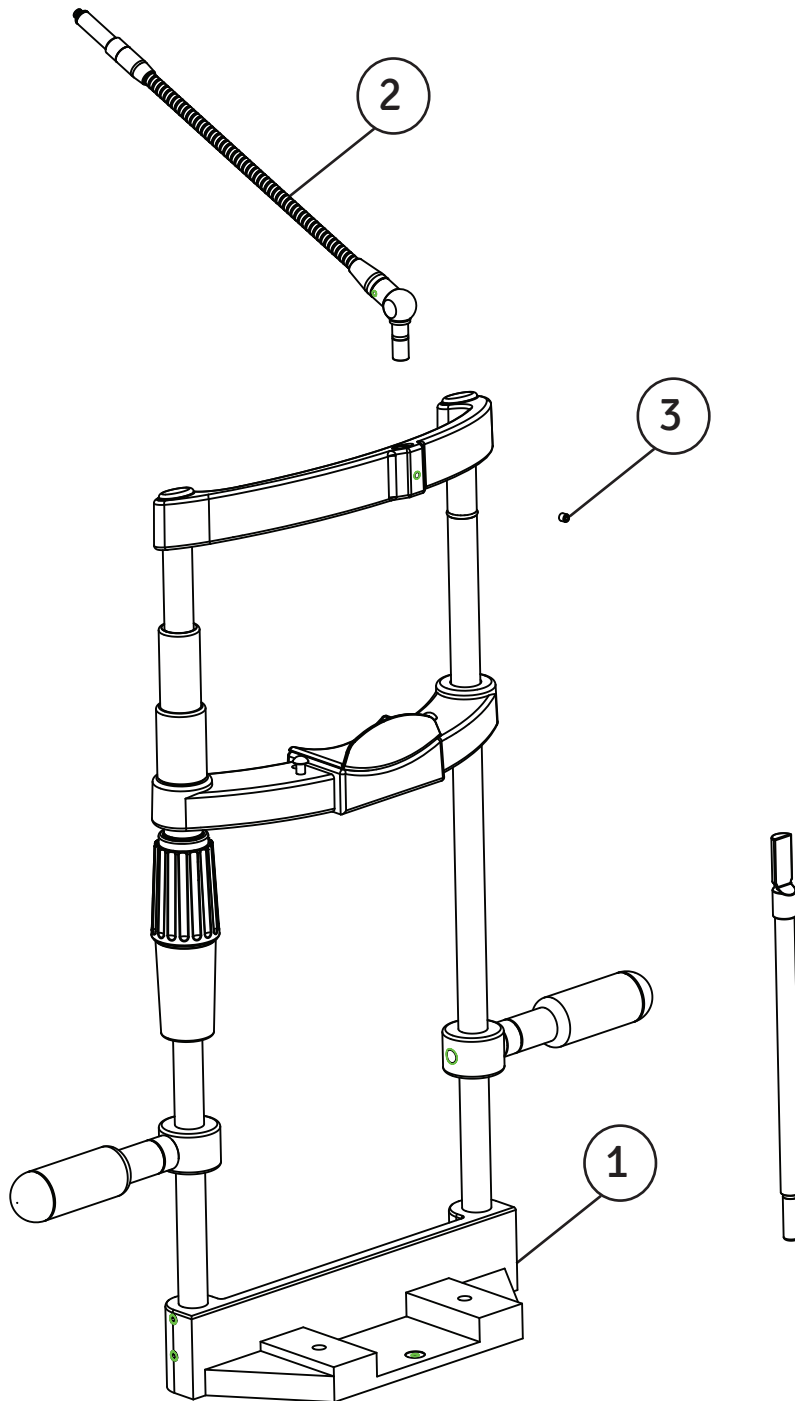
ITEM	QTY	PART NUMBER	DESCRIPTION
1	1	8126200-815	MICROSCOPE ASSEMBLY
2	1	8126200-820	CHIN REST UNIT
3	1	8126200-843	TABLE ASSEMBLY
4	1	8126200-844	SLIT LAMP ASSEMBLY

2. MAGNICHANGER ASSEMBLY



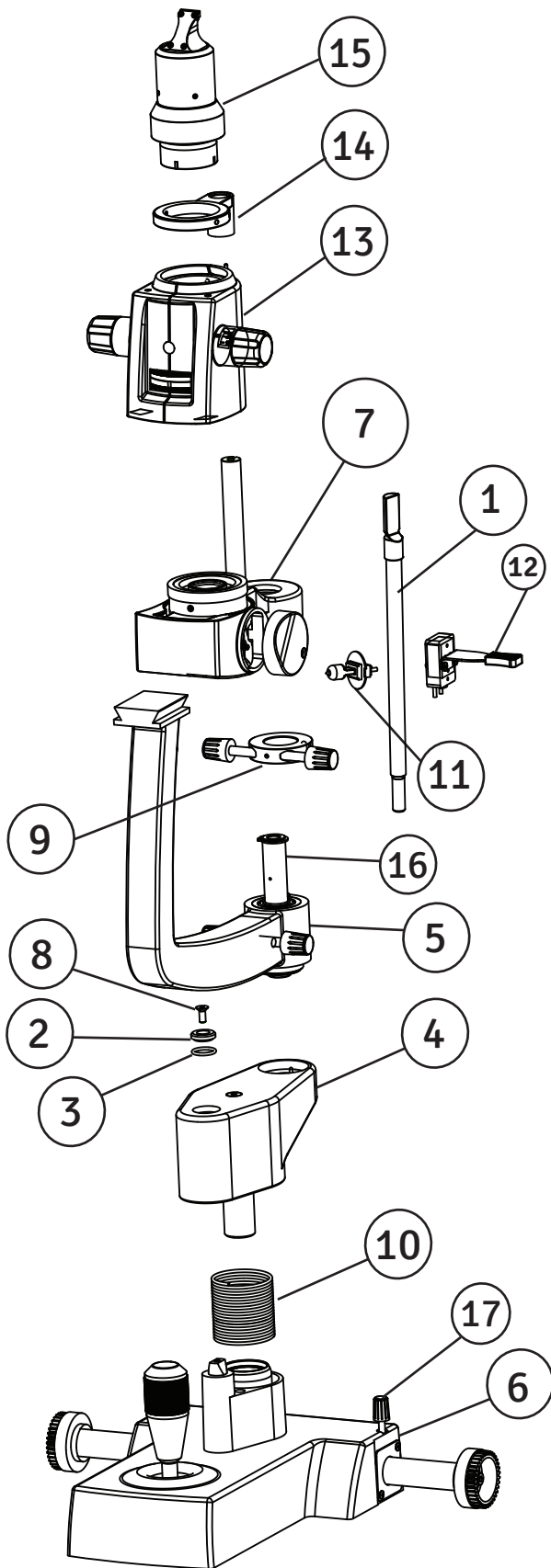
ITEM	QTY	PART NUMBER	DESCRIPTION
1	2	A8131012	EYE PIECE ASSEMBLY
2	1	A8132000-800	ASSEMBLY SLIT HEAD
3	1	A8126200-801	MAGNICHANGER ASSEMBLY
4	1	A8126200-812	FIX CMO ASSEMBLY 115mm
5	1	8123000-804	HEAD LOCKING KNOB
6	1	8123000-805	LOCKING KNOB ASSEMBLY

3. CHIN REST ASSEMBLY



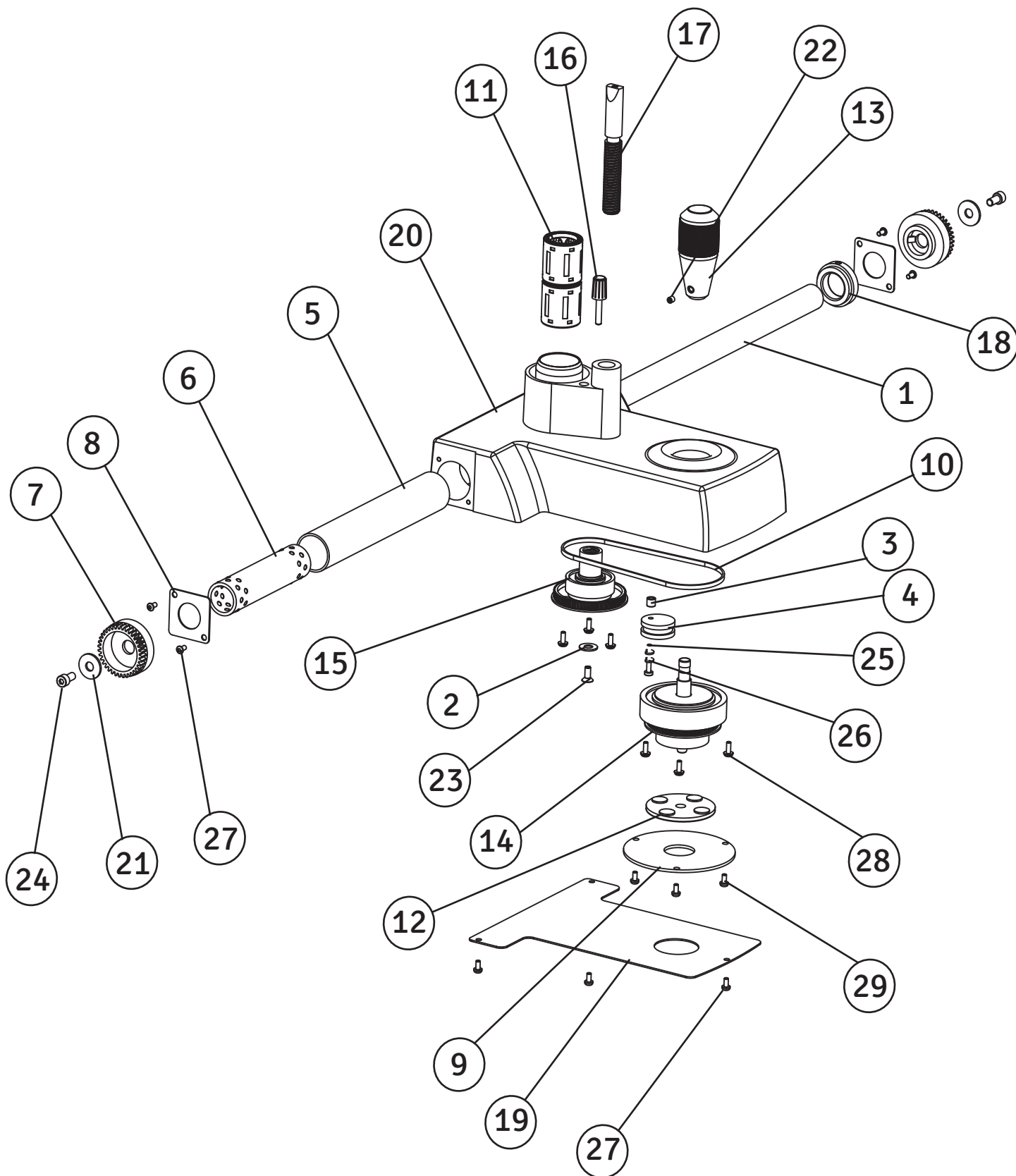
ITEM	QTY	PART NUMBER	DESCRIPTION
1	1	A8124800-801	CHIN REST
2	1	A8124850-812	GOOSE NECK ASSEMBLY
3	1	SS-143	SOCKET SET SCREW M4X4

4. ILLUMINATION ASSEMBLY



ITEM	QTY	PART NUMBER	DESCRIPTION
1	1	A15120-226	SLIT ROD ASSEMBLY
2	1	8124600-104	STEP WASHER
3	1	8124600-404	O-RING
4	1	8124600-802	JACK ASSEMBLY
5	1	A8126200-800	MOVING ARM ASSEMBLY
6	1	A8126200-825	BASE ASSEMBLY
7	1	8145000-512	SLIT PROJECTION WITH ILLUMINATION HOUSING
8	1	SS-154	SCREW M4X10 SKT FLAT HD
9	1	8124200-107	LOCK RING ASSEMBLY
10	1	8124100-402	SPRING
11	1	8124300-401	HALOGEN LAMP 6V-20W
12	1	8145000-848	SPANNER KNOB ASSEMBLY
13	1	A8145000-825	SLIT ASSEMBLY
14	1	8145000-836	SLIT HOUSING SUPPORT ASSEMBLY
15	1	A8145000-831	PROJECTION SYSTEM ASSEMBLY
16	1	8124200-105	ARM SPINDLE
17	1	8124100-807	LOCKING KNOB ASSEMBLY

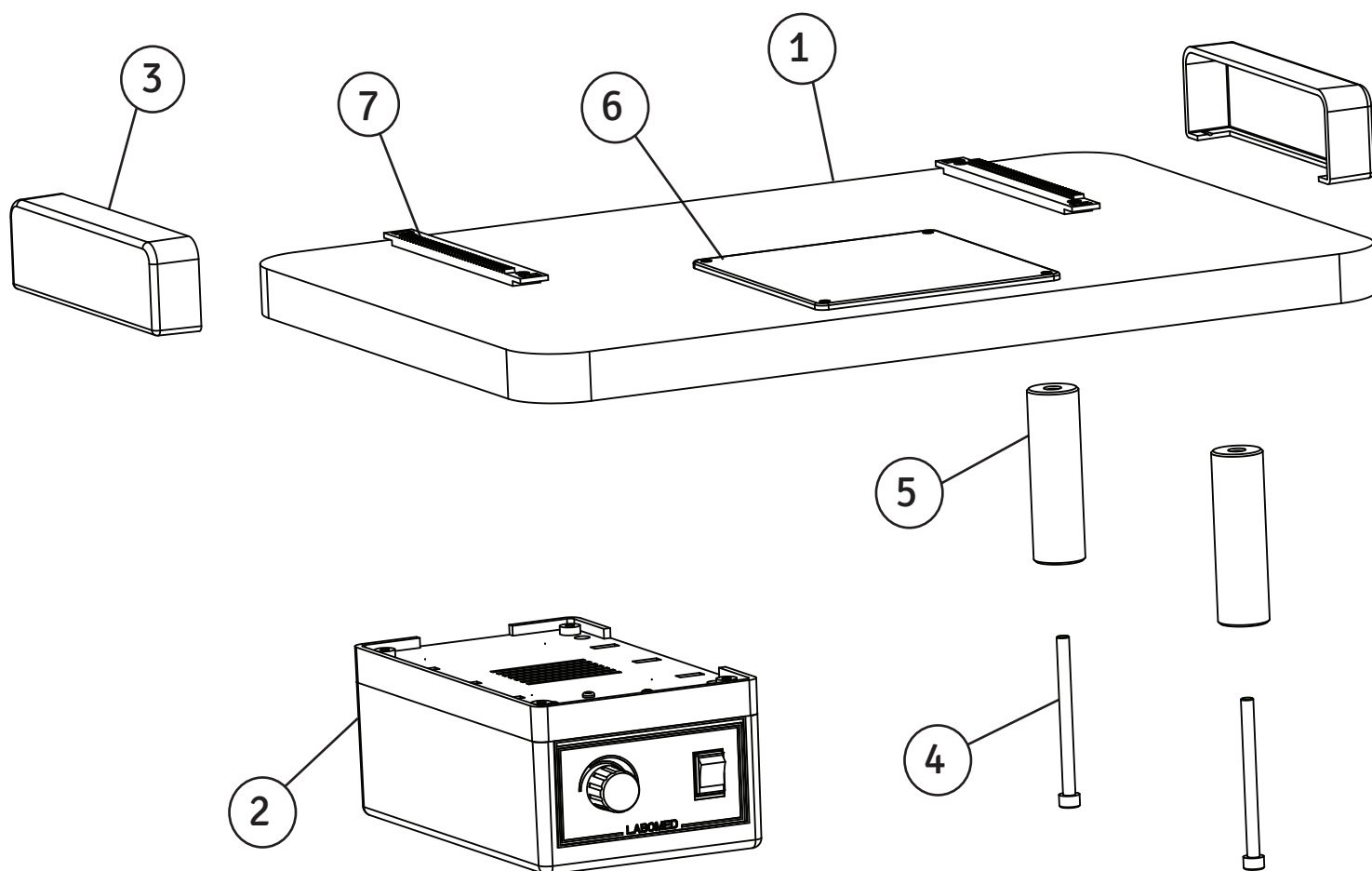
5. BASE ASSEMBLY



BASE ASSEMBLY (continued)

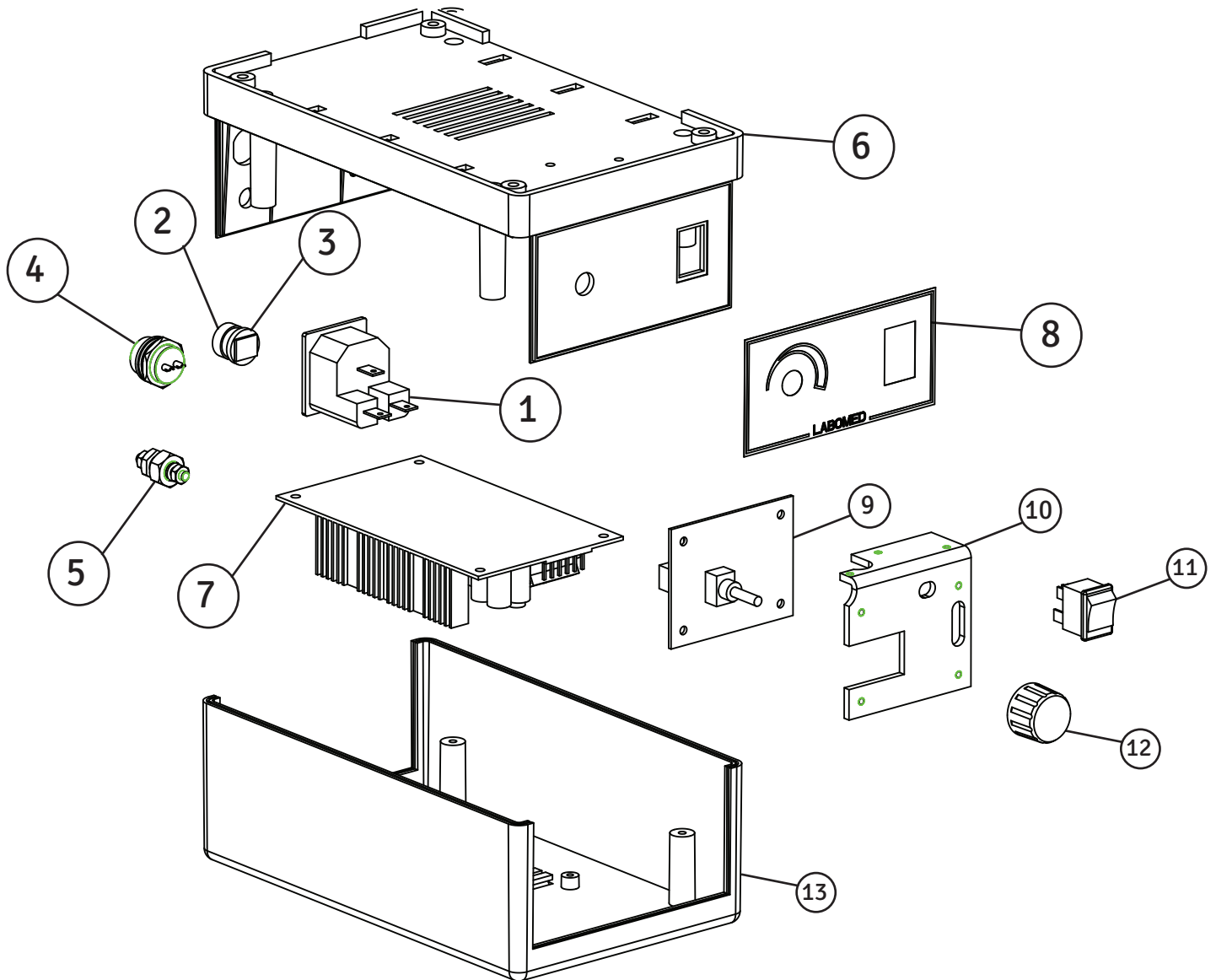
ITEM	QTY	PART NUMBER	DESCRIPTION
1	1	8124100-101 R	SHAFT GEAR WHEEL
2	1	8124100-103	WASHER
3	1	8124100-105	SPACER
4	1	8124100-106	IDLER
5	1	8124100-123	S.S SLEEVE
6	1	8124100-124	HORIZONTAL BALL GAGE
7	2	8124100-200	GEAR WHEEL
8	2	8124100-301	GUIDE SUPPORT PLATE
9	1	8124100-302	FIXED PLATE
10	1	8124100-412	TIMING BELT
11	2	8124100-415	BEARING (LB BR-20)
12	1	8124100-116	MOVING DISC ASSEMBLY
13	1	8124100-110	HANDLE ASSEMBLY
14	1	8124100-804	JOY STICK ASSEMBLY
15	1	8124100-205	DRIVEN GEAR ASSEMBLY
16	1	8124100-807	BASE LOCKING KNOB
17	1	8124600-103	JACK THREADED SHAFT
18	1	8126200-118	LOCK RING
19	1	8126200-302	BASE PLATE
20	1	8126200-810	SUB ASSEMBLY BASE
21	2	900083-67	PLAIN WASHER
22	1	SS-143	M4X4 SKT SET SCREW
23	2	SS-154	SOCKET FLAT HD SCREW M4X10
24	2	SS-175	M6X10 SOCKET HEAD CAP SCREW
25	1	SS-190	M3X20MM PH. HD.
26	2	SS-277	SPRING WASHER-M3
27	7	X54189	PAN HD SCREW M3X6.0
28	6	SS-657L	PHILLIPS PAN WASHER HEAD SCREW M3X80
29	3	SS-658L	M3/5.5 PAN/ 6.0 (8.0) DNA

6. PLATE FORM ASSEMBLY



ITEM	QTY	PART NUMBER	DESCRIPTION
1	1	8124100-113LB	WOODEN PLATE FORM ASSEMBLY
2	1	A8124900 L	ELECTRIC POWER BOX ASSEMBLY
3	2	15140-003	GUIDE RAIL COVER
4	2	SS-805	ALLEN BOLT M6X80
5	2	8124100-120	PILLAR FOR BASE
6	1	8124100-118	MILKY PLATE
7	2	8124100-201	RACK

7. POWER SUPPLY ASSEMBLY



ITEM	QTY	PART NUMBER	DESCRIPTION
1	1	8124900-949	INLET SOCKET
2	1	3140000-014	CAP DC SOCKET
3	1	3140000-908	DC SOCKET
4	1	8124900-983F	2-PIN CONNECTOR FEMALE
5	1	8124900-114	EARTHING SCREW
6	1	8124900-202	HOUSING ELECTRICAL POWER SUPPLY
7	1	A8124000-200	SWITCHING POWER SUPPLY
8	1	8124900-351	LABEL "LABOMED"
9	1	A812400-200	BUCK CONVERTER ASSEMBLY
10	1	8124900-947	HEAT SINK
11	1	8124900-950	ON/OFF SWITCH
12	1	8124900-103	REGULATOR KNOB
13	1	8124900-201	COVER ELECTRICAL POWER SUPPLY



Labo America Inc.
920 Auburn Court
Fremont, CA
94538
U.S.A.

Phone: 510-445-1257

Fax: 510-991-9862

Email: sales@laboamerica.com
www.laboamerica.com

EU|REP.

Labomed Europe b.v.
T.a.v.: Cor Treure
Essebaan 52,
2908 LK Capelle a an den Ijssel
THE NETHERLANDS

Phone: +31-10-458-4222,

Fax: +31-10-450-8251



A16372  ISO 13485:2016

LABOMED