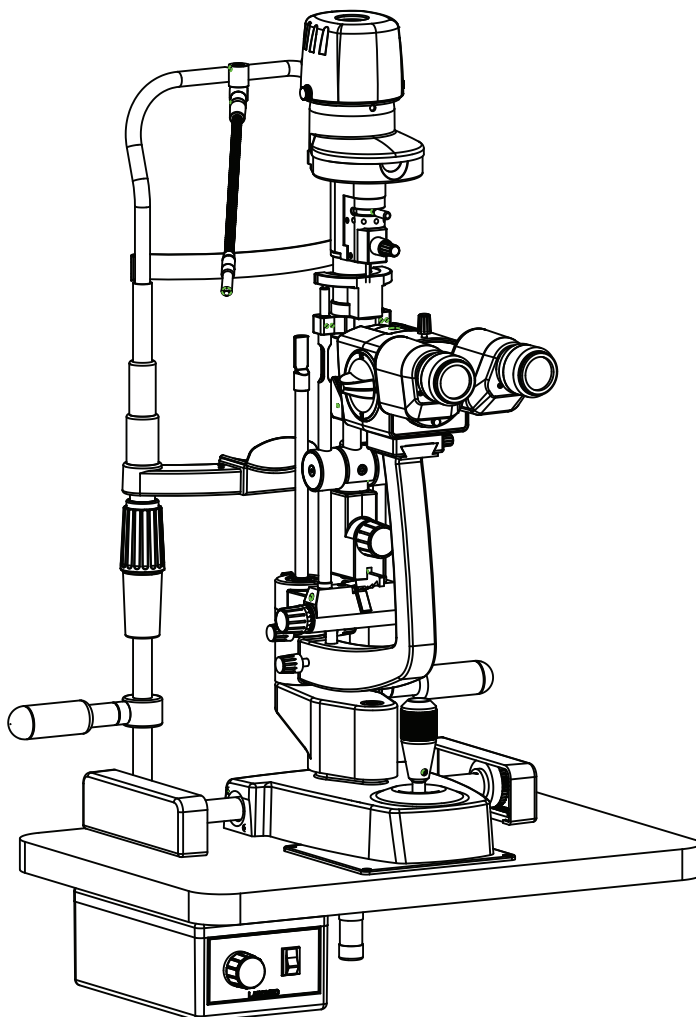


# eVO 400 Service/ Part List Manual

## Slit Lamp

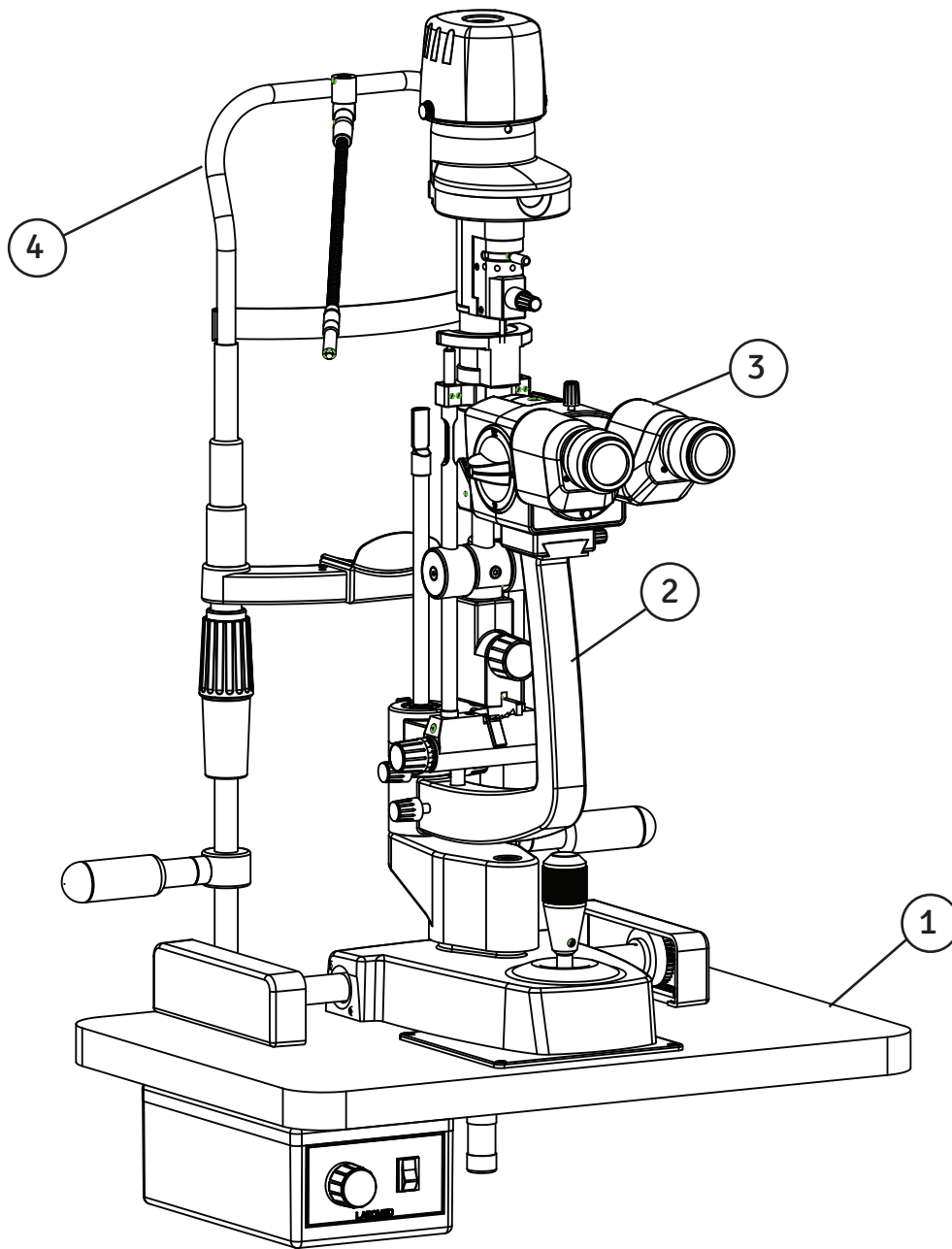


To ensure proper use of this instrument as well as to avoid injury while operating instrument, understanding this manual Completely before use is highly recommended.

# CONTENTS

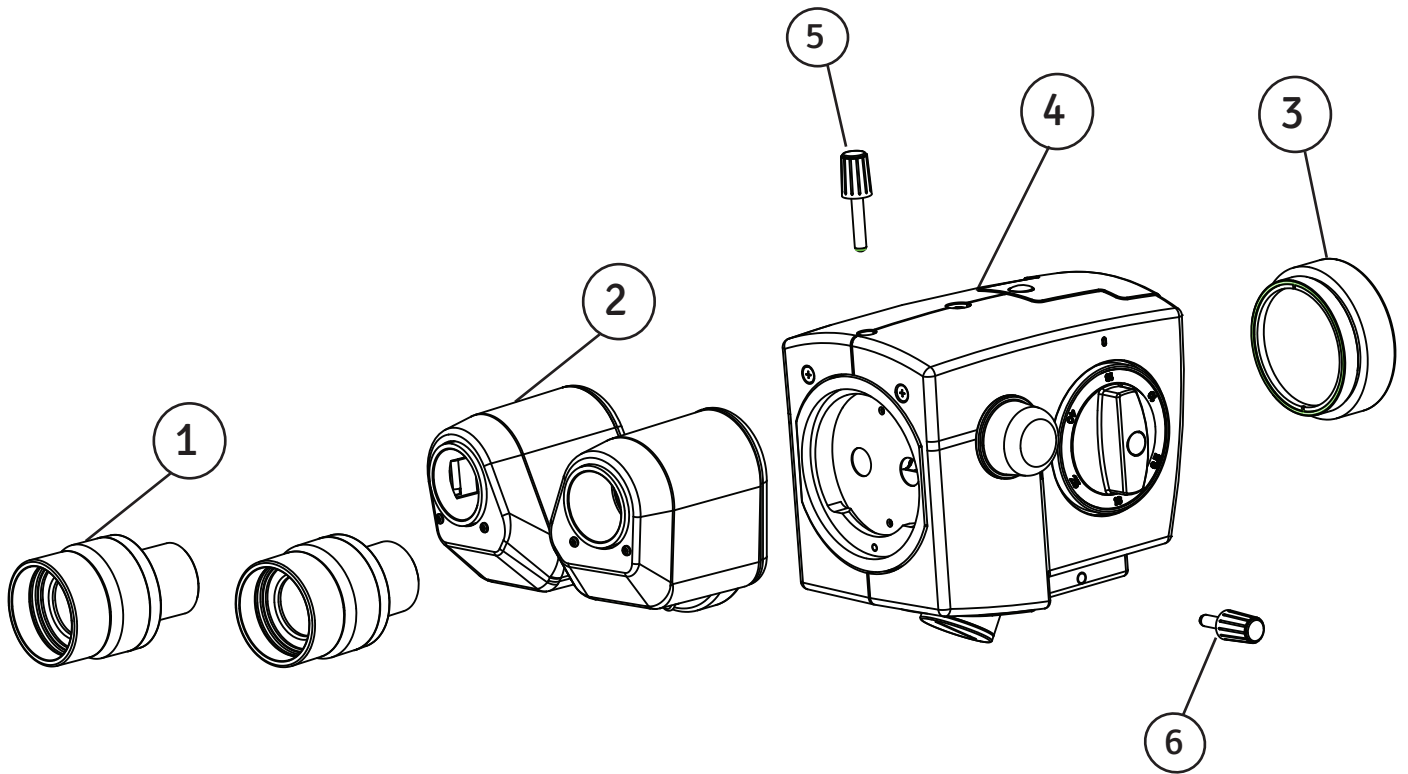
<b>1. SLIT LAMP ASSEMBLY</b>	<b>1</b>
<b>2. MAGNICHANGER ASSEMBLY</b>	<b>2</b>
<b>3. CHIN REST ASSEMBLY</b>	<b>3</b>
<b>4. ILLUMINATION ASSEMBLY</b>	<b>4 - 5</b>
<b>5. BASE ASSEMBLY</b>	<b>6 - 7</b>
<b>6. PLATE FORM ASSEMBLY</b>	<b>8</b>
<b>7. POWER SUPPLY ASSEMBLY</b>	<b>9</b>

# 1. SLIT LAMP ASSEMBLY



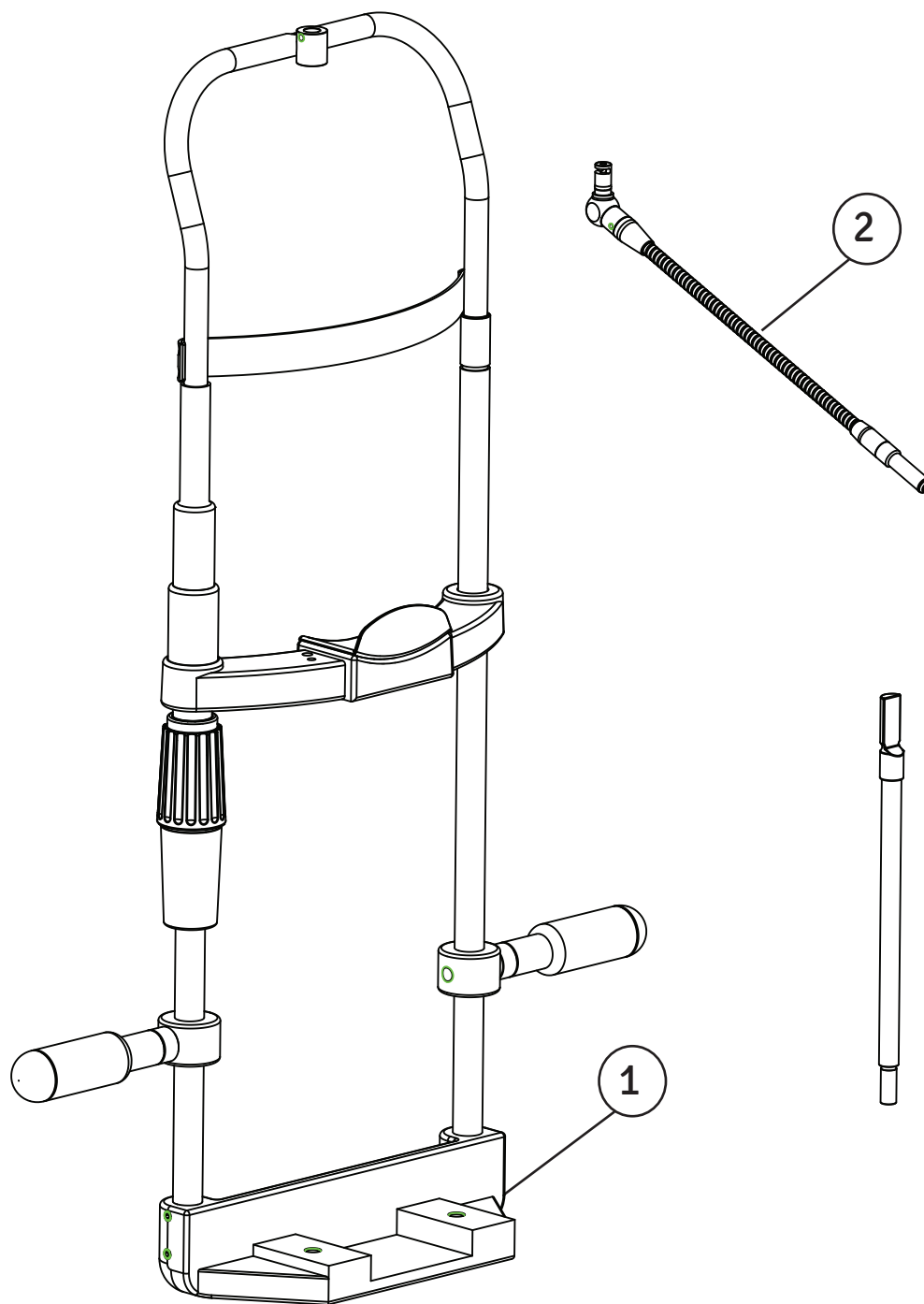
ITEM	QTY	PART NUMBER	DESCRIPTION
1	1	8127200-808	TABLE ASSEMBLY
2	1	8127200-814	SLIT LAMP ASSEMBLY
3	1	8127200-815	MICROSCOPE ASSEMBLY
4	1	8134800-801	CHIN REST UNIT

## 2. MAGNICHANGER ASSEMBLY



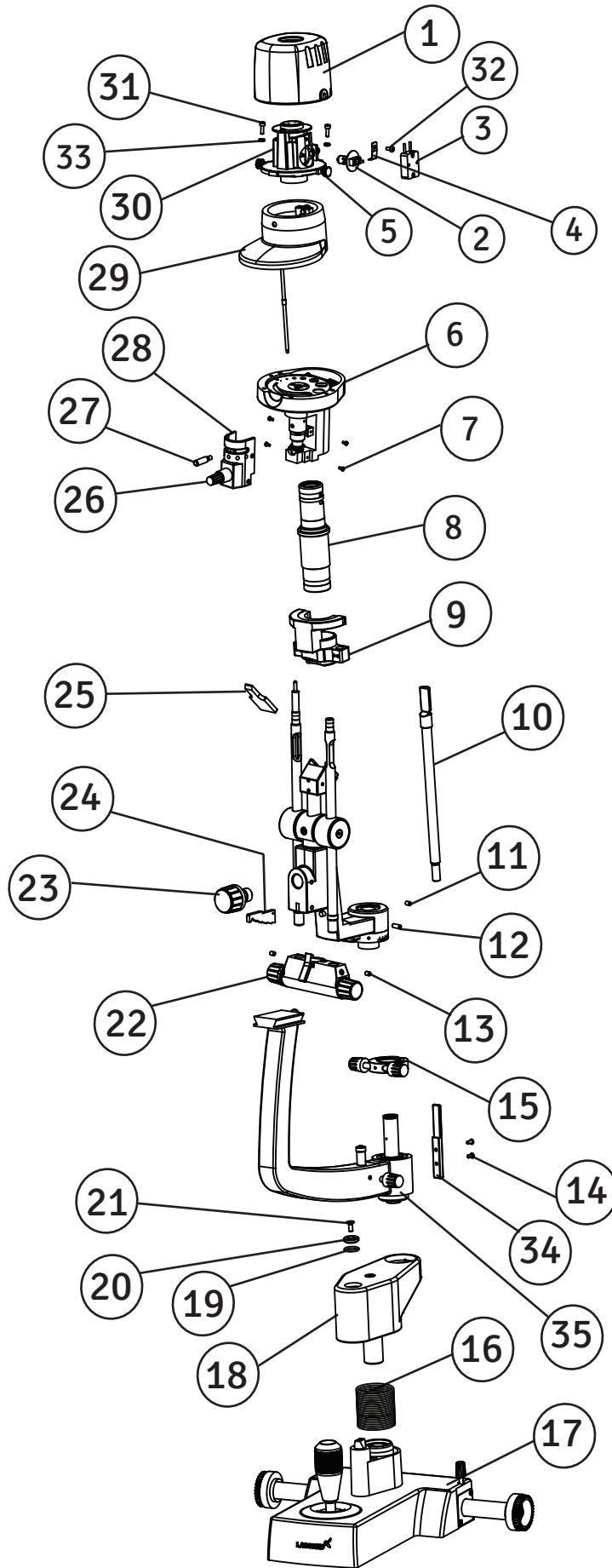
ITEM	QTY	PART NUMBER	DESCRIPTION
1	2	A8131012	EYE PIECE ASSEMBLY
2	1	A8132000-800	BINOCULAR HEAD ASSEMBLY
3	1	A8126200-812	CMO ASSEMBLY
4	1	A8127200-801	MAGNICHANGER ASSEMBLY
5	1	8123000-804	HEAD LOCKING KNOB
6	1	8123000-805	LOCKING KNOB ASSEMBLY

### 3. CHIN REST ASSEMBLY



ITEM	QTY	PART NUMBER	DESCRIPTION
1	1	A8134800-800	CHIN REST
2	1	A8134850-801	GOOSE NECK ASSEMBLY

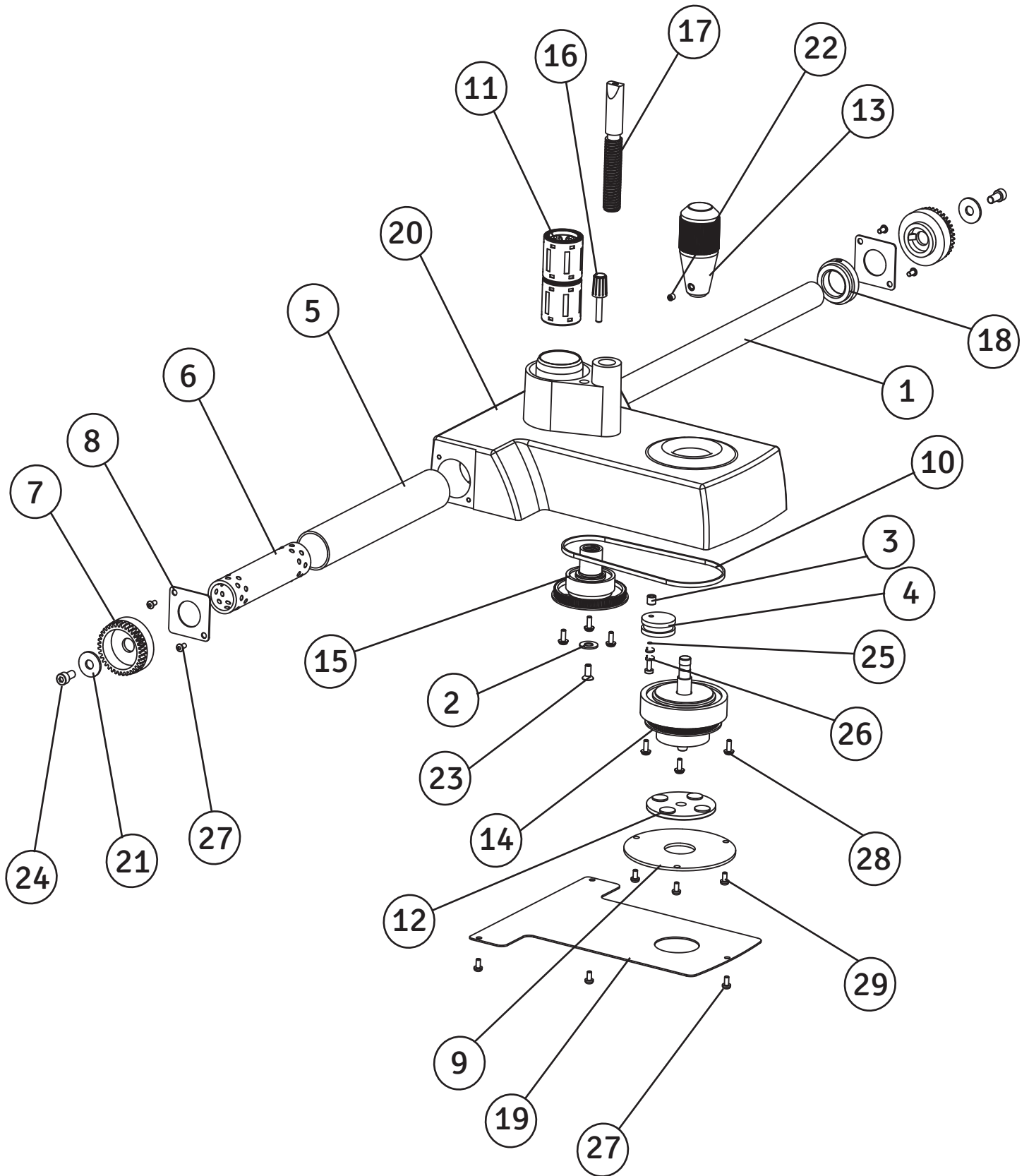
# 4. ILLUMINATION ASSEMBLY



# ILLUMINATION ASSEMBLY (continued)

ITEM	QTY	PART NUMBER	DESCRIPTION
1	1	8127200-201	LAMP COVER BLACK
2	1	8124300-401	HALOGEN LAMP 6V-20W
3	1	8124300-407	BULB HOLDER
4	1	8134300-302	BULB CLAMP
5	2	8134300-806	THUMB SCREW LAMP COVER
6	1	A8134500-806	FILTER HOUSING
7	1	SS-651	(M2X4.0) PAN HEAD SCREW
8	1	A8134700-800	PROJECTION SYSTEM ASSEMBLY
9	1	A8134450-800	BRIDGE ASSEMBLY
10	1	A15120-226	FOCUSING ROD ASSEMBLY
11	1	FS-153	SCREW M4X6 SKT. SET
12	1	SS-162	SCREW M4X10 SKT. SET
13	2	13X54268	M4X5 SKT. SET/LPS
14	2	X54189	M3X6 BUTTON HEAD/UB
15	1	8134200-801	LOCK RING ASSEMBLY
16	1	8134100-402	SPRING
17	1	A8127200-825	BASE ASSEMBLY
18	1	8124600-802	JACK SUB ASSEMBLY
19	1	8124600-404	O. RING
20	1	8124600-104	STEP WASHER
21	2	SS-154 (M4)	SCREW M4X10 SKT FLAT HEAD
22	1	A8134400-810	CAM HOUSING ASSEMBLY
23	1	8134250-801	LOCKING KNOB ASSEMBLY
24	1	8134250-302	RATCHET
25	1	8134750-601	MIRROR
26	1	2615403	RITEL KNOB 15mm
27	1	8134500-111	FILTER LEVER
28	1	8134500-803	PINION BEVEL GEAR ASSEMBLY
29	1	A8134400-800	SLIT ASSEMBLY HS
30	1	8134300-101	LAMP HOUSING
31	2	SS-160	M3X6.0 HEAD CAP SCREW
32	1	SS-658	M3X6 PAN HEAD SCREW
33	2	13X55665	TOOTH WASHER M3
34	1	8134200-103	INDEXING PLATE
35	1	A8134200-800	ARM ASSEMBLY

# 5. BASE ASSEMBLY

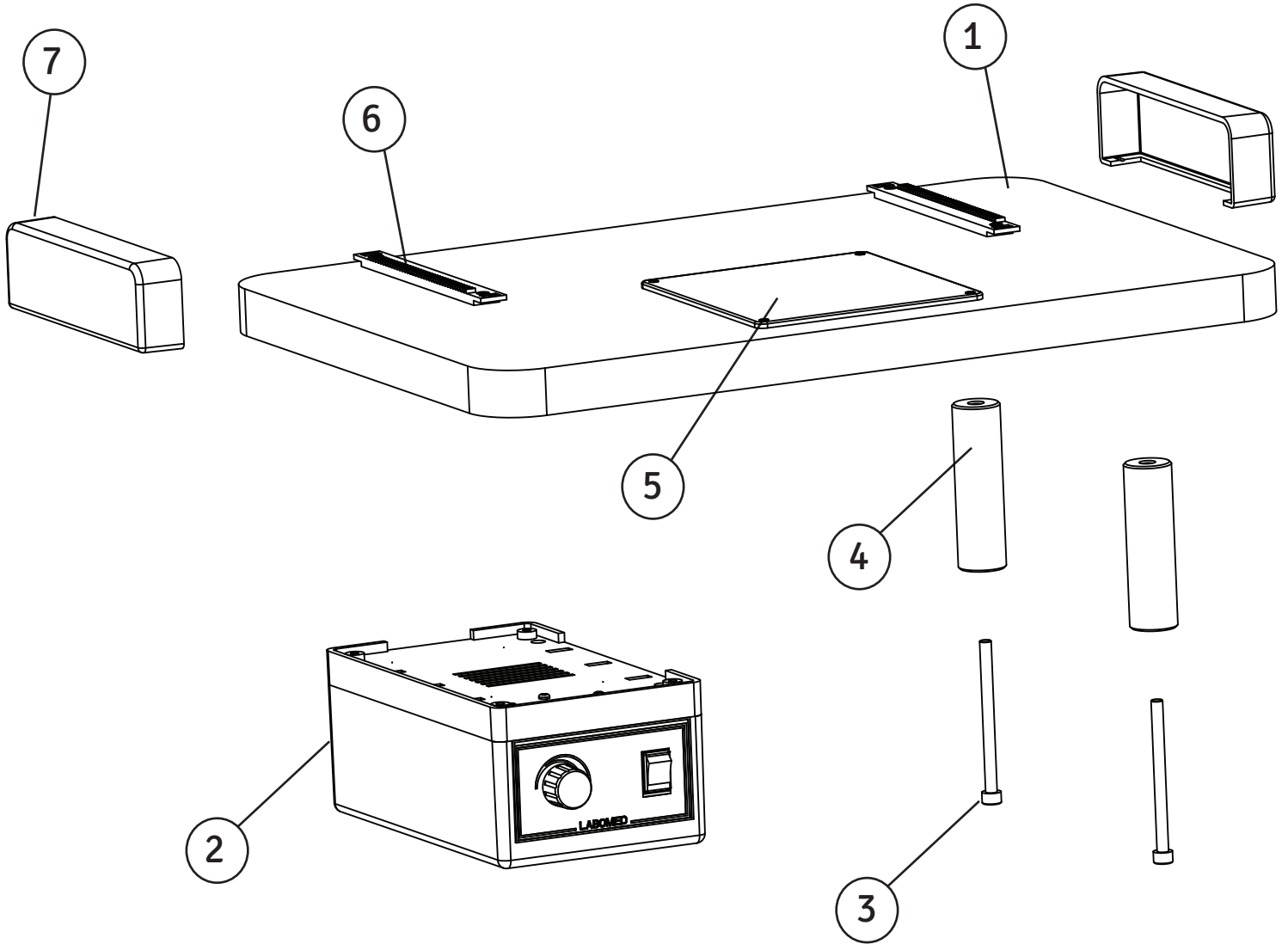




# BASE ASSEMBLY (continued)

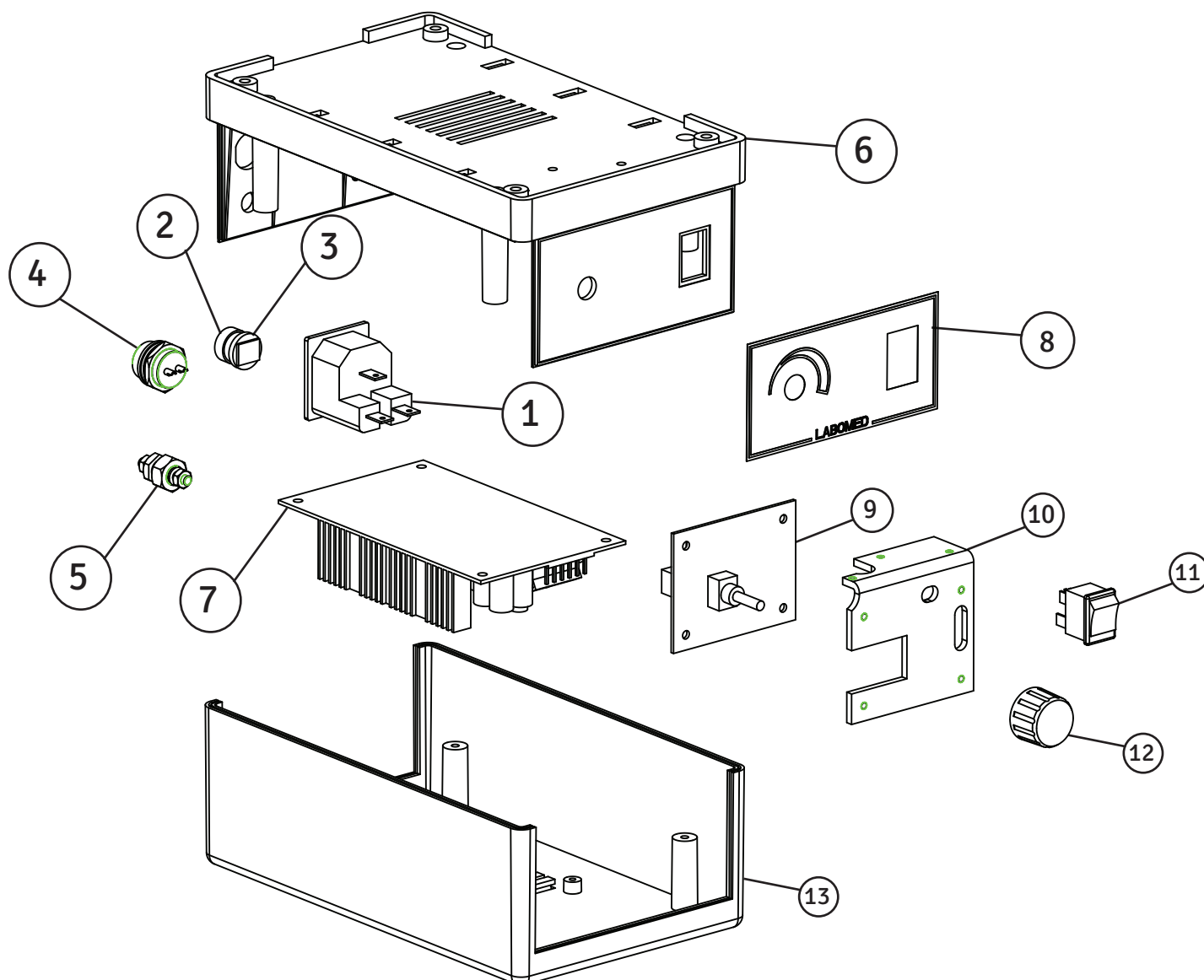
ITEM	QTY	PART NUMBER	DESCRIPTION
1	1	8124100-101R	SHAFT GEAR WHEEL
2	1	8124100-103	WASHER
3	1	8124100-105	SPACER
4	1	8124100-106	IDLER
5	1	8124100-123	S.S SLEEVE
6	1	8124100-124	HORIZONTAL BALL GAGE
7	2	8124100-200	GEAR WHEEL
8	2	8124100-301	GUIDE SUPPORT PLATE
9	1	8124100-302	FIXED PLATE
10	1	8124100-412	TIMING BELT
11	2	8124100-415	LBBR (20) BEARING
12	1	8124100-116	MOVING DISC ASSEMBLY
13	1	8124100-110	HANDLE ASSEMBLY
14	1	8124100-804	JOY STICK ASSEMBLY
15	1	8124100-205	DRIVEN GEAR ASSEMBLY
16	1	8124100-807	BASE LOCKING KNOB
17	1	8124600-103	JACK THREADED SHAFT
18	1	8126200-118	LOCK RING
19	1	8126200-302	BASE PLATE
20	1	8126200-810	SUB ASSEMBLY BASE
21	2	900083-67	PLAIN WASHER
22	1	SS-143	M4X4 SKT SET SCREW
23	2	SS-154	SOCKET FLAT HD SCREW M4X10
24	2	SS-175	M6X10 SOCKET HEAD CAP SCREW
25	1	SS-190	M3X20MM PH. HD.
26	2	SS-277	SPRING WASHER-M3
27	7	X54189	PAN HD SCREW M3X6.0
28	6	SS-657L	PHILLIPS PAN WASHER HEAD SCREW M3X80
29	3	SS-658L	M3/5.5 PAN/ 6.0 (8.0) DNA

# 6. PLATE FORM ASSEMBLY



ITEM	QTY	PART NUMBER	DESCRIPTION
1	1	8124100-113LB	WOODEN PLATE FORM ASSEMBLY
2	1	A8124900H	ELECTRIC POWER SUPPLY ASSEMBLY
3	2	SS-805	SCREW (BOLT FOR PILLAR)
4	2	8124100-120	BASE PILLAR
5	1	8124100-118	MILKY PLATE
6	2	8124100-201	RACK
7	2	15140-003	RAIL COVER

## 7. POWER SUPPLY ASSEMBLY



ITEM	QTY	PART NUMBER	DESCRIPTION
1	1	8124900-949	INLET SOCKET
2	1	3140000-014	CAP DC SOCKET
3	1	3140000-908	DC SOCKET
4	1	8124900-983F	2-PIN CONNECTOR FEMALE
5	1	8124900-114	EARTHING SCREW
6	1	8124900-202	HOUSING ELECTRICAL POWER SUPPLY
7	1	A8124000-200	SWITCHING POWER SUPPLY
8	1	8124900-351	LABEL "LABOMED"
9	1	A812400-200A	BUCK CONVERTER ASSEMBLY
10	1	8124900-947	HEAT SINK
11	1	8124900-950	ON/OFF SWITCH
12	1	8124900-103	REGULATOR KNOB
13	1	8124900-201	COVER ELECTRICAL POWER SUPPLY



**Labo America Inc.**  
920 Auburn Court  
Fremont, CA  
94538  
U.S.A.

Phone: 510-445-1257  
Fax: 510-991-9862  
Email: [sales@laboamerica.com](mailto:sales@laboamerica.com)  
[www.laboamerica.com](http://www.laboamerica.com)

**EU|REP.**

**Labomed Europe**  
Essebaan 50  
NL-2908 LK Capelle a/d IJssel  
The Netherlands  
Tel: +31 (0)10 4584222  
Fax: +31 (0)10 4508251  
E-mail: [info@labomedeuropa.com](mailto:info@labomedeuropa.com)



DQS Inc.  
Labo America Inc.  
Registered to ISO 9001:2015  
BR Number 10005565



LABOTECH MICROSCOPES INDIA Pvt Ltd