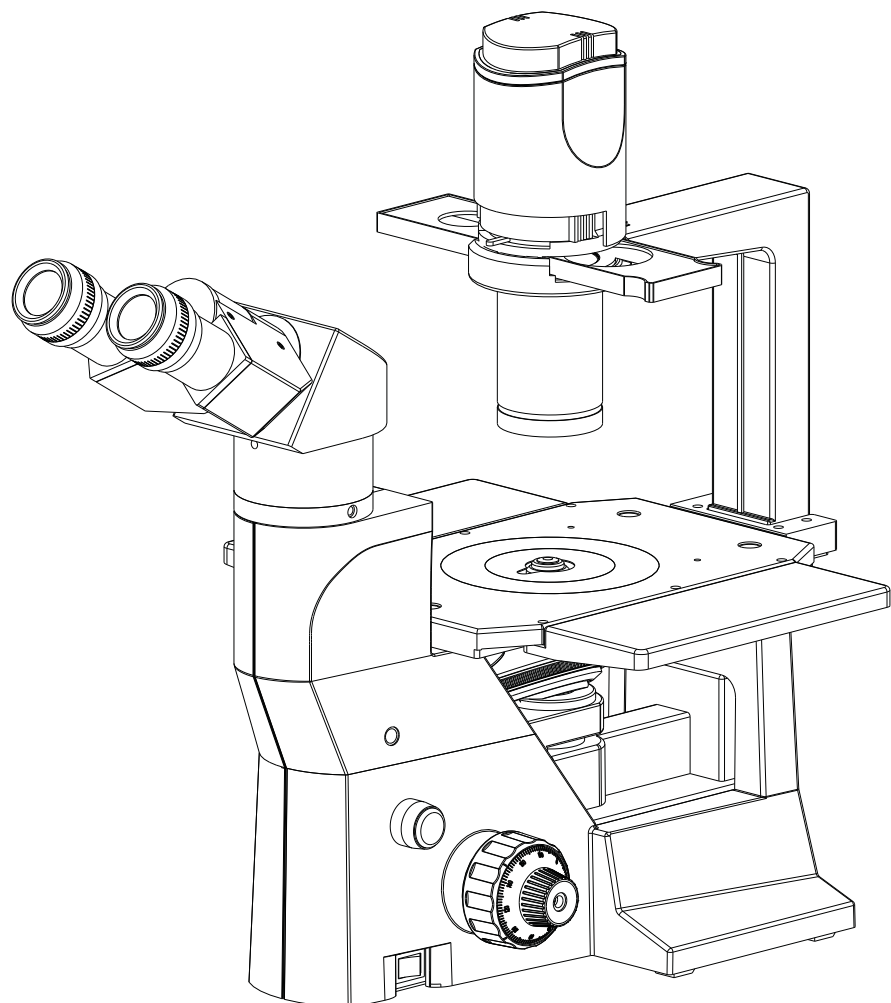


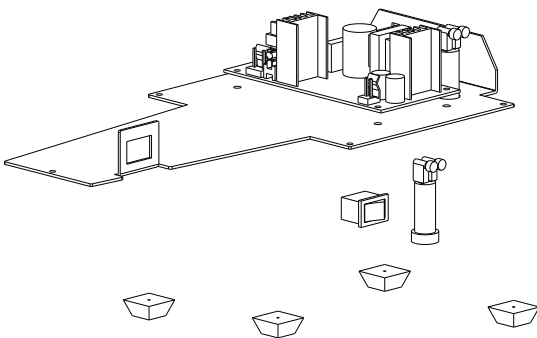
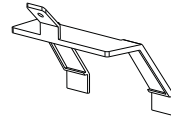
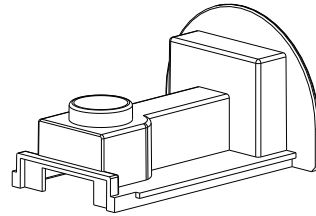
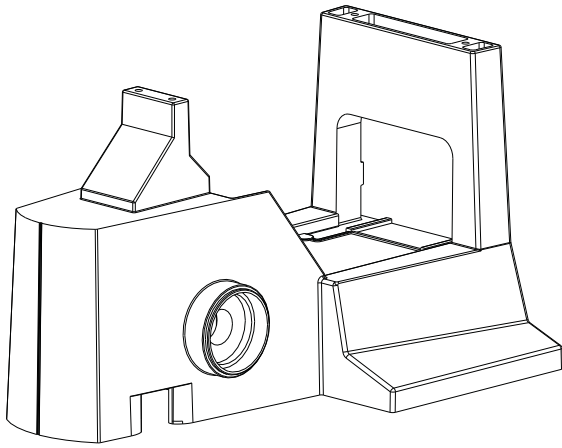
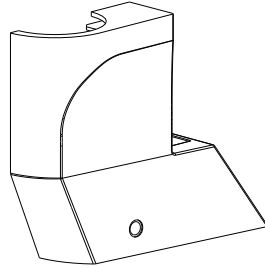
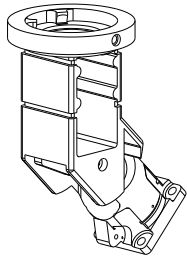
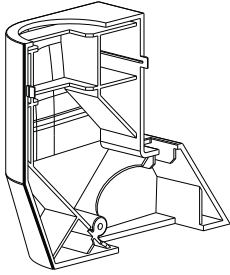
TCM 400 Service / Part List Manual

Inverted Microscopy



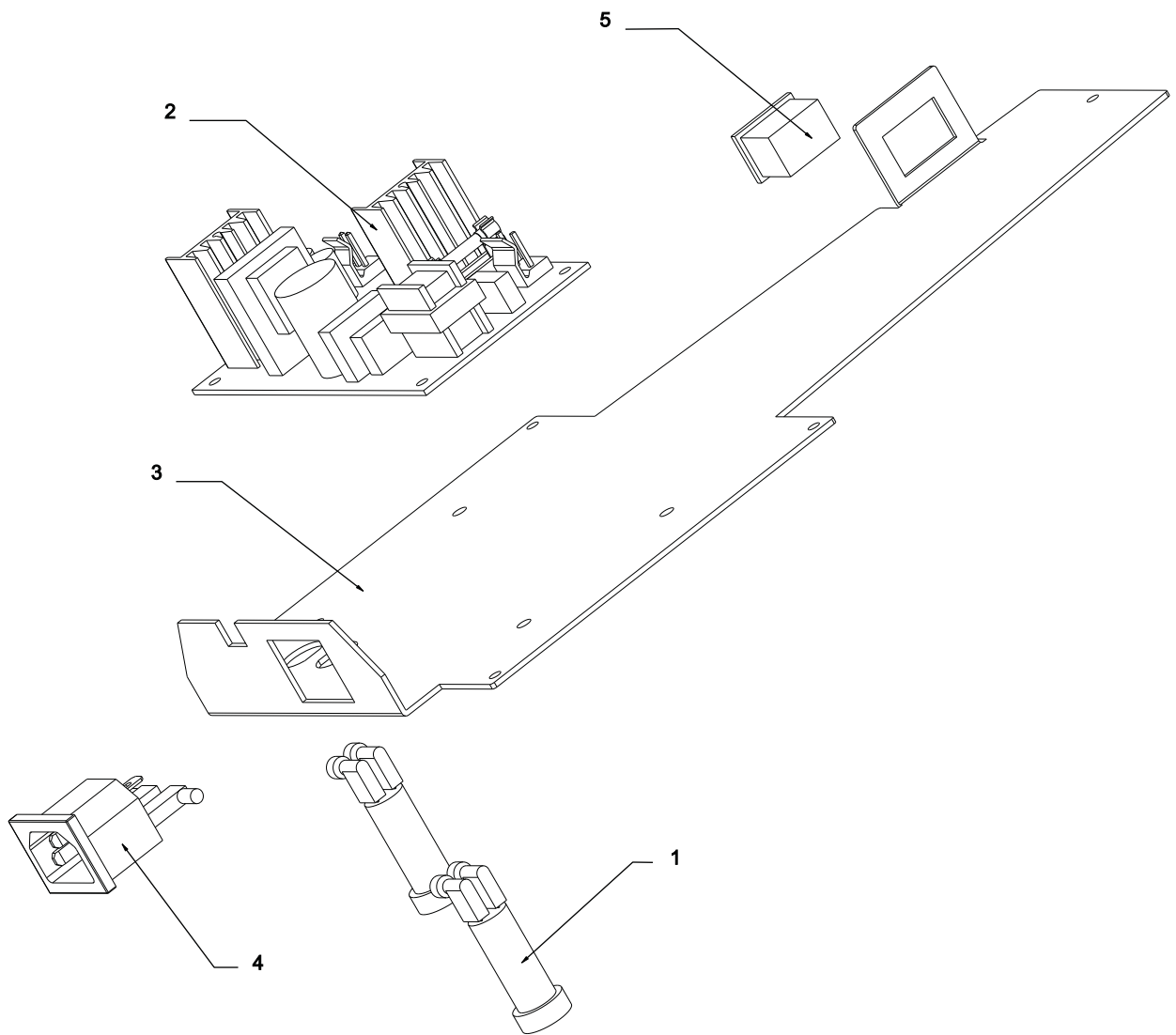
Contents

1.0	Stand.....	3
2.0	Electrical assembly.....	5
3.0	Illumination assembly.....	7
4.0	Turret assembly.....	9
5.0	Co-axial assembly.....	11
6.0	Stage assembly.....	13
7.0	Binocular head assembly.....	15
8.0	Trinocular head assembly.....	17
9.0	Ergonomic head assembly.....	19



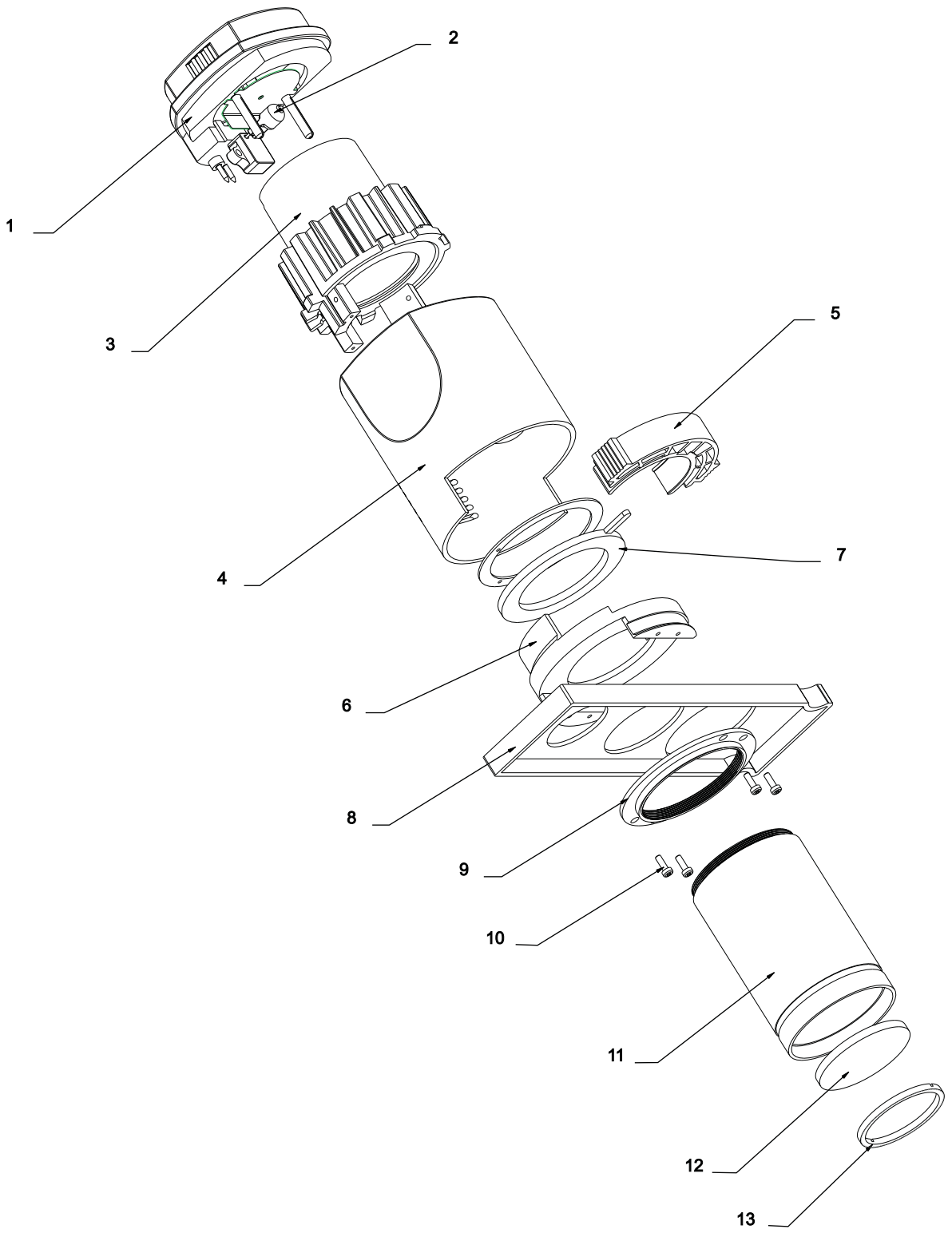
1.0 Stand

ITEM	PART NUMBER	DESCRIPTION	.
1	7121000-501	Base	.
2	7121000-541	Base plate	.
3	7121000-520	Rubber feet	.
4	7121000-527	Cover left	.
5	7121000-502	Inclined housing	.
6	7121000-519	Turret cover	.
7	7121000-526	Back cover	.
8	7121000-505	Potentiometer knob	.
9	7121000-528	Cover right	.
10	WHOL10019	Fuse holder	.
11	WSWT20024	On/Off switch	.



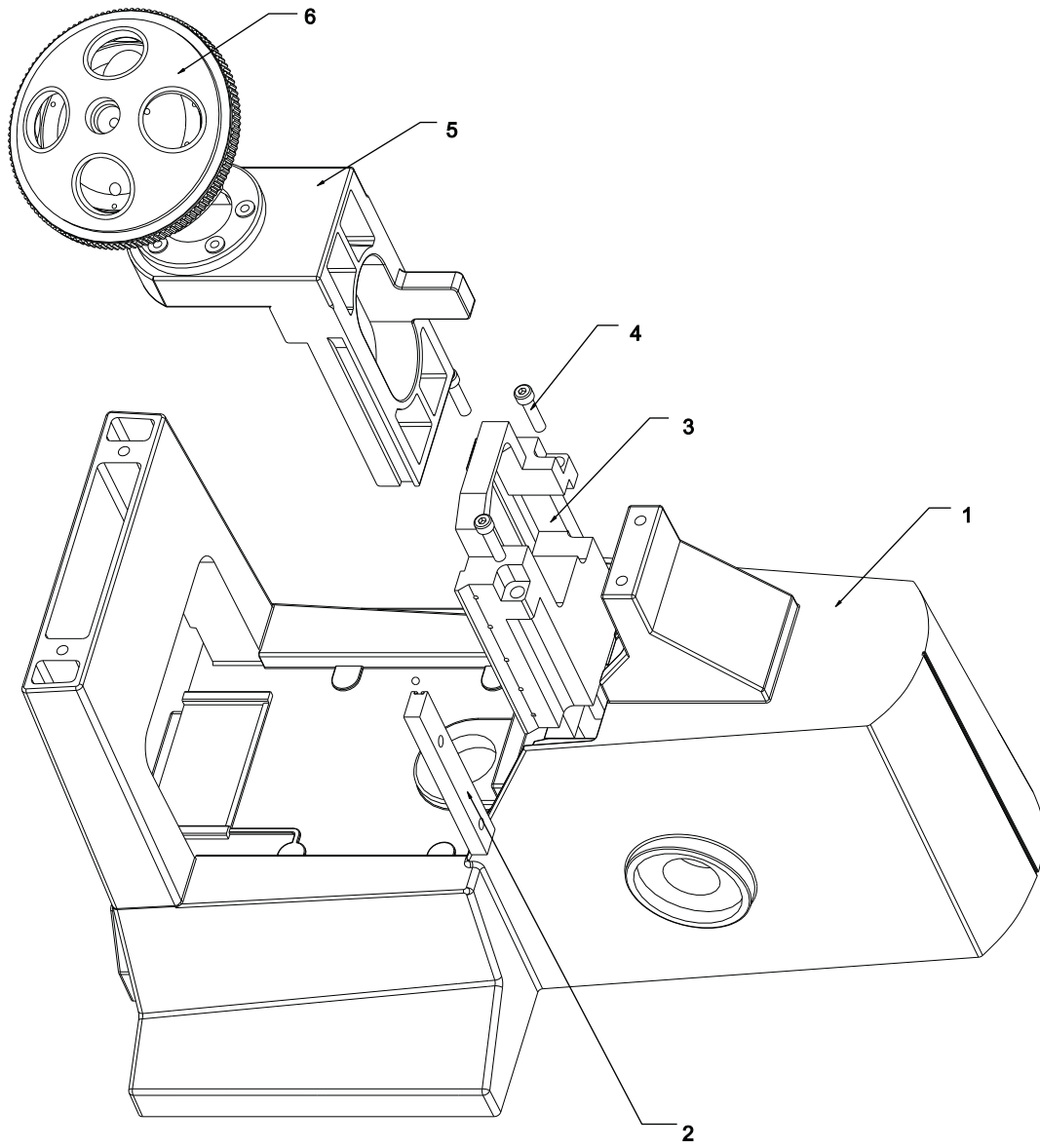
2.0 Electrical Assembly

ITEM	PART NUMBER	DESCRIPTION	.
1	612086-901	Fuse 5- Amp assy	.
2	7121000-541	Base Plate	.
3	A7121000-900	SMPS	.
4	WPLG-50007	A.C. Inlet	.
5	WSWT-20024	Switch On/Off	.



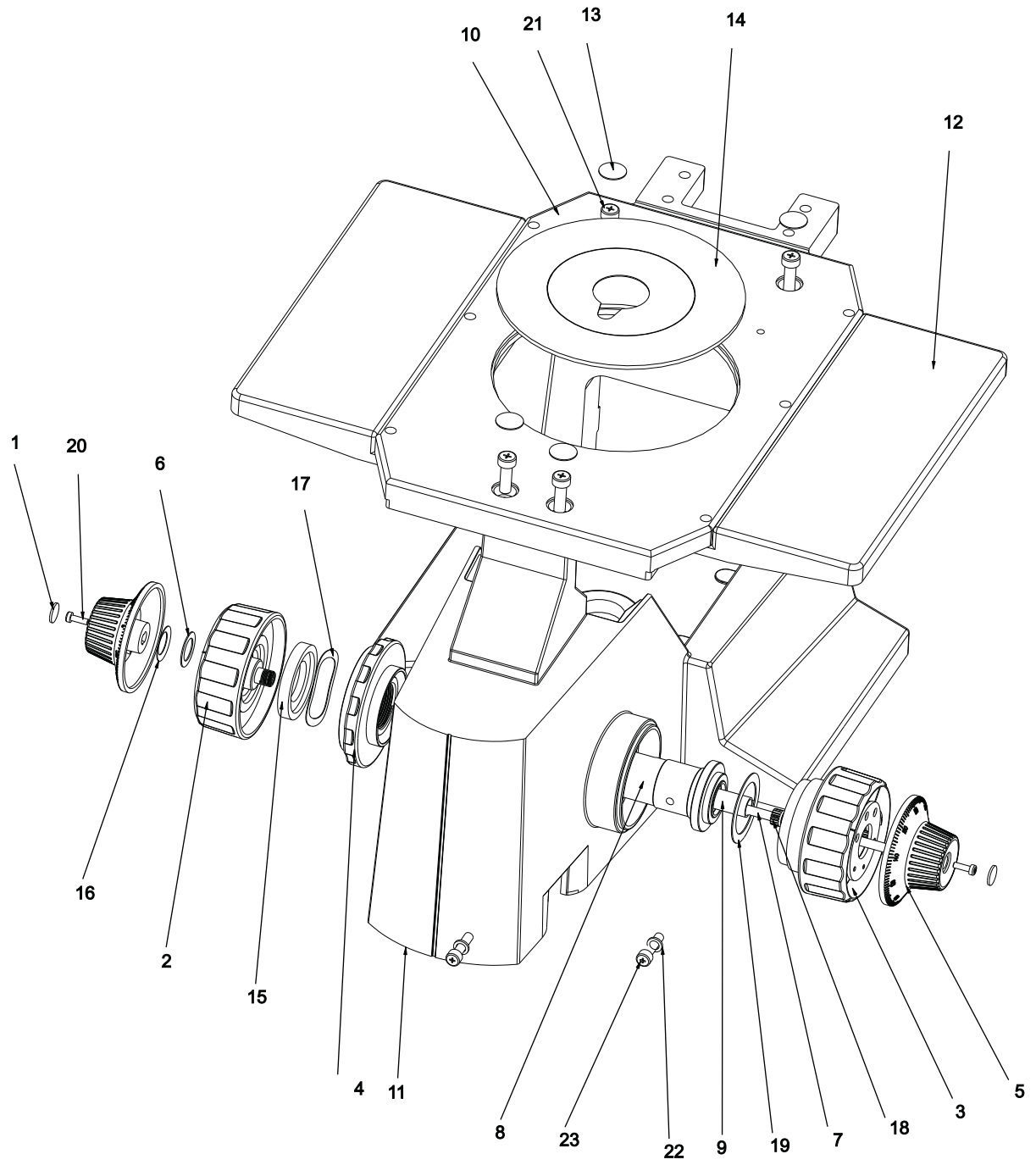
3.0 Illumination assembly

ITEM	PART NUMBER	DESCRIPTION	.
1	7121000-811	Assy. bulb holder	.
2	EL-455	Bulb 6V/30W	.
3	7121000-812	Cover lamp case	.
4	7121000-523	Filter holder	.
5	7121000-119	Iris housing	.
6	7121000-524	Iris shifter	.
7	7121000-814	Slider Assy.	.
8	7121000-132	Slider support	.
9	SS-655	PAN Head screw M2.5x7.5	.
10	7121000-117	Lens Barrel	.
11	7121000-602	2nd Lens	.
12	7121000-121	T-ring	.



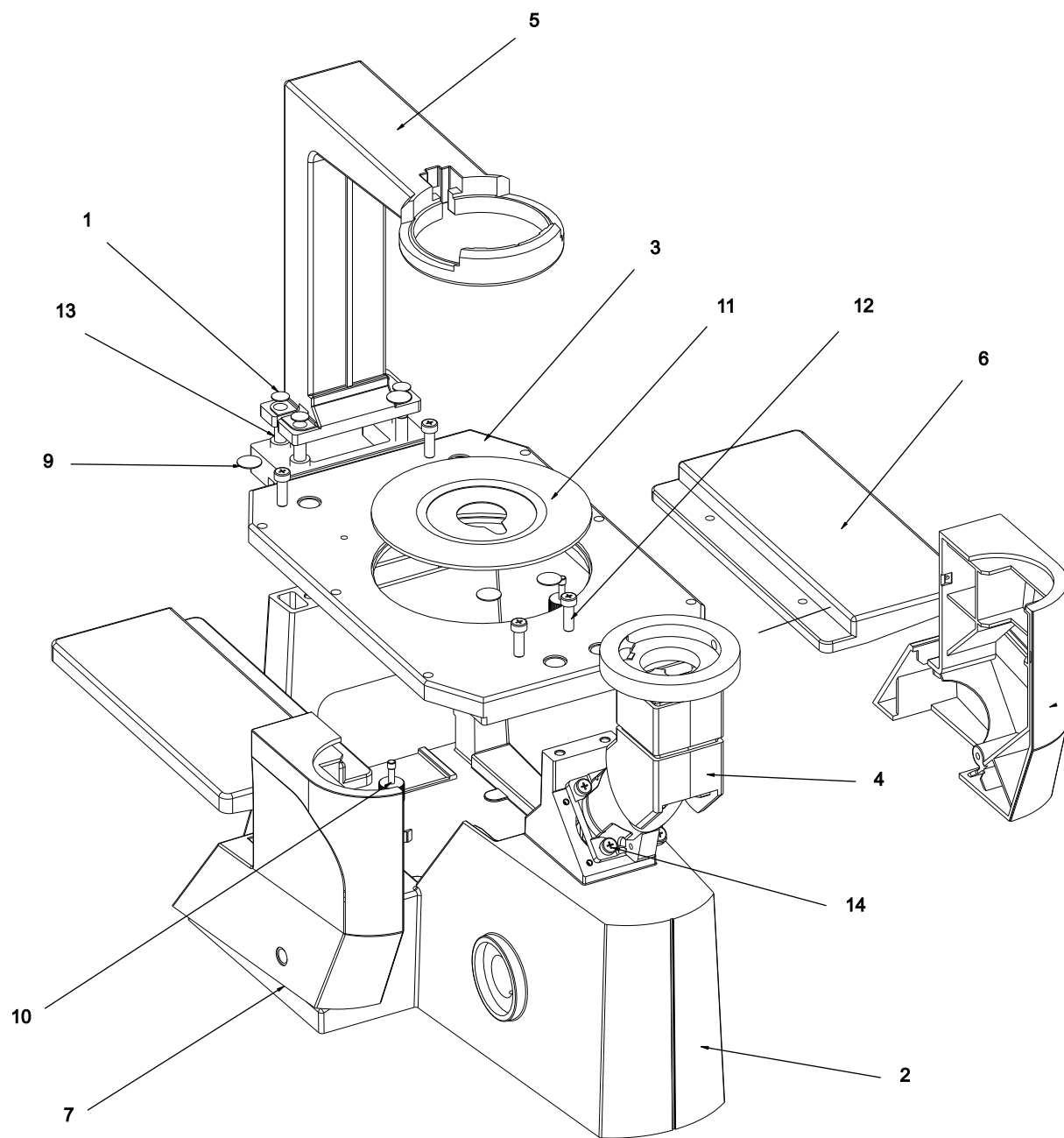
4.0 Turret assembly

ITEM	PART NUMBER	DESCRIPTION	.
1	7121000-501	Base	.
2	7121000-815	Fixed gib assy.	.
3	7121000-511	Fixed turre slide	.
4	X54193	SKT. head screw M4x16	.
5	7121000-508	Moving turret slide	.
6	ATP-005	Turret Assy.	.



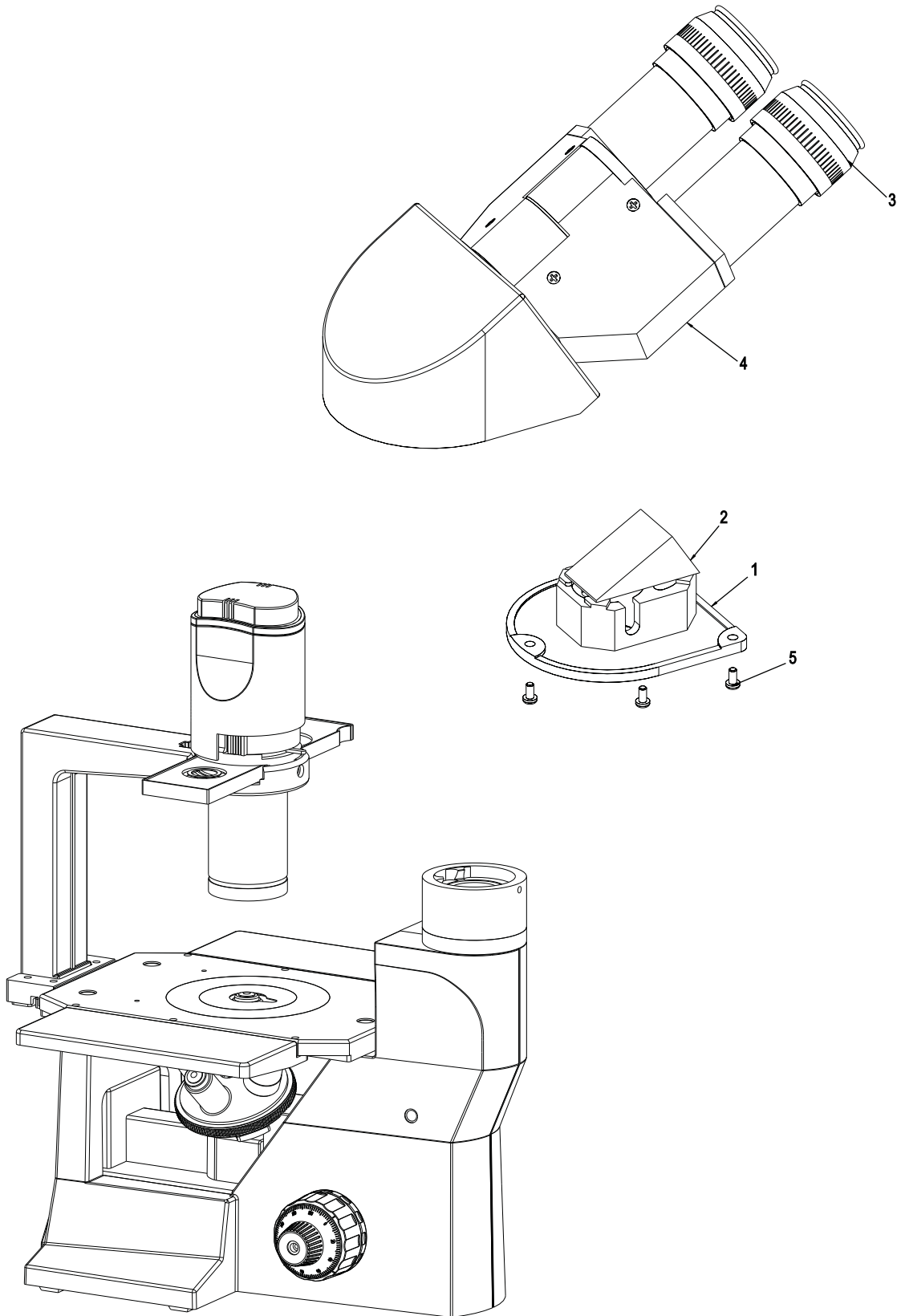
5.0 Co-axial assembly

ITEM	PART NUMBER	DESCRIPTION
1	410-185	Decorative Disc
2	5121086-015	C.M Knob Plain
3	5121086-016	Gear house assy.
4	5121086-017	Tension adjusting ring
5	5121086-018	S.M knob graduated
6	5121086-108	PVC Washer
7	7121000-106	4mm Axle
8	7121000-107	Pinion Bush
9	7121000-108	Threaded Bush
10	7121000-134	Stage plate
11	7121000-501	Base
12	7121000-515	Stage wing
13	7121000-552	Decorative disc
14	7121000-813	Specimen holder plate
15	NM-012	Delrin washer inside T
16	NM-022	Disc washer
17	NM-023	Wave washer
18	NM-030	Nylon pinion
19	NM-186	PVC Washer
20	SS-141	SHCS M3x8.0
21	SS-185	SHCS M5x15
22	SS-278	Washer M4
23	X54193	SHCS M4x16



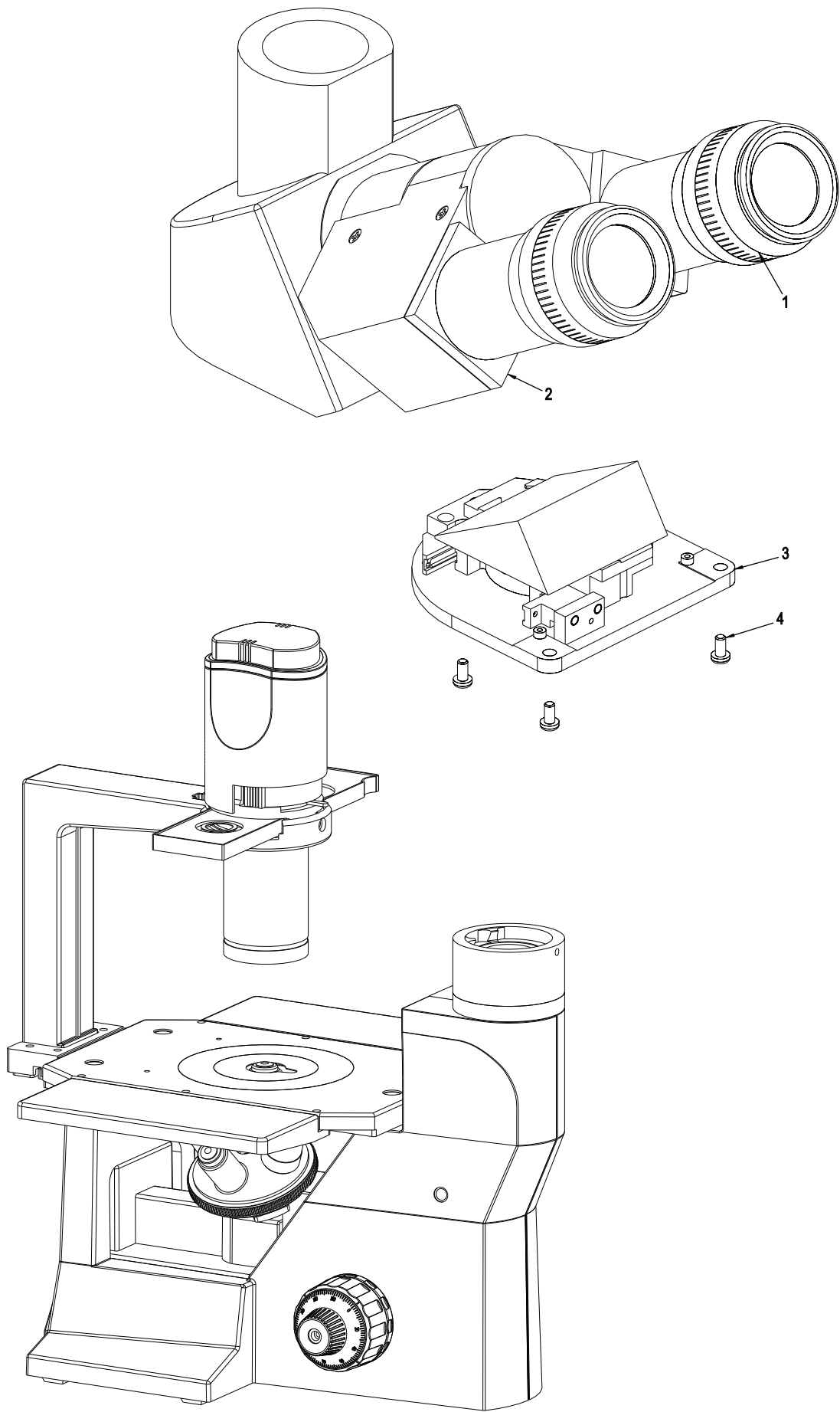
6.0 Stage assembly

ITEM	PART NUMBER	DESCRIPTION	.
1	410185	Decorative disc	.
2	7121000-501	Base	.
3	7121000-134	Stage plate	.
4	7121000-502	Inclined housing	.
5	7121000-507	Lamp Bracking	.
6	7121000-515	Stage Wing	.
7	7121000-527	Cover left	.
8	7121000-528	Cover Right	.
9	7121000-552	Mirror clamp	.
10	7121000-583	Clamping screw M4	.
11	7121000-813	Specimen holder plate	.
12	SS-185	SHCS M5x15	.
13	SS-189	SHCS M6x20	.
14	SS-717	SHCS M4x12	.



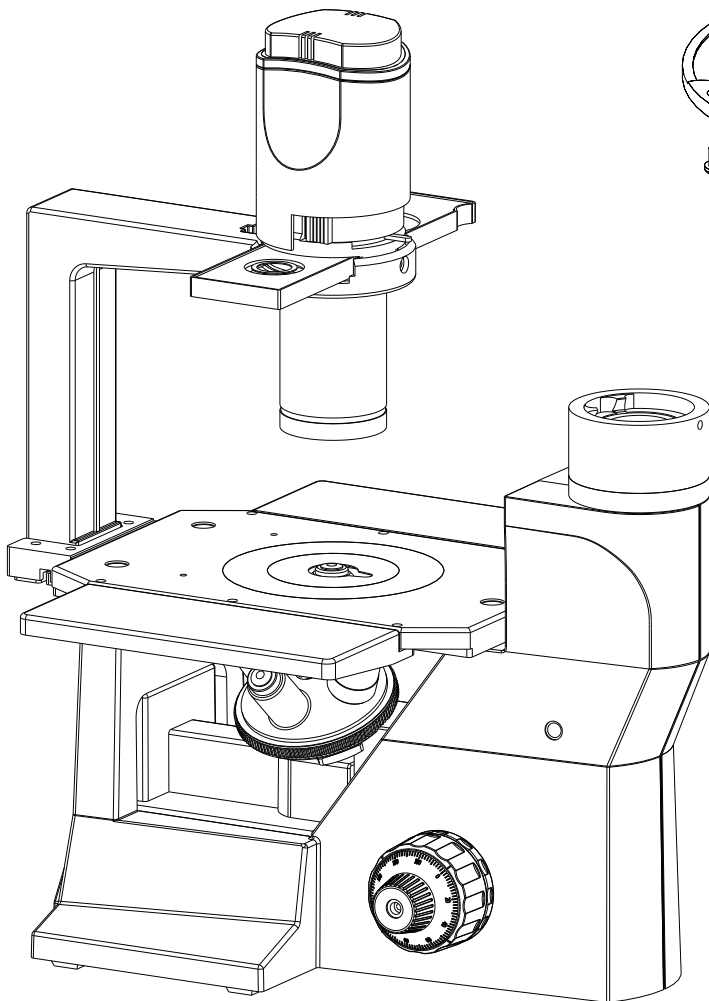
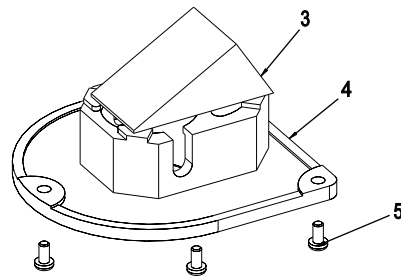
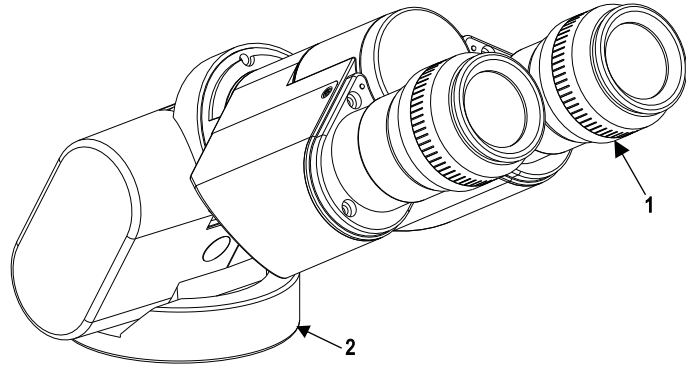
7.0 Binocular Head

ITEM	PART NUMBER	DESCRIPTION	.
1	470-011R	Adapter plate	.
2	1942-643	Devating prism	.
3	1271090	Eyepiece 10x WF 22 Field	.
4	3137000-800	Bino head	.
5	X54397	Screw M3x8.0	.



8.0 Trinocular Head

ITEM	PART NUMBER	DESCRIPTION	.
1	1271090	Eyepieces 10x WF 22 Field	.
2	3138000	Trino head	.
3	3138000-801	Assly adapter plate	.
4	X54397	Screw M3x8.0	.



9.0 Ergonomic Head

ITEM	PART NUMBER	DESCRIPTION	.
1	1271090	Eyepieces 10x WF 22 Field	.
2	9140300	Ergonomic tiltable head 0° to 25° inclined	.
3	3138000-801	Assly adapter plate	.
4	X54397	Screw M3x8.0	.



www.laboamerica.com

Our policy is one of continuous development. Labo America, Inc., reserves the right to change design and specifications without prior notice.

Labo America Inc.
920 Auburn Court.
Fremont
CA 94538

U.S.A.
Telephone: 510 445 1257
Fax: 510 991 9862
sales@laboamerica.com



LABOMED and TCM400 are registered trademarks of Labo America, Inc.
With a policy of continuous development, Labo America, Inc. reserves the right to change design and specifications without prior notice.
© 2009 Labo America, Inc. | 7125000-990A 05-2020

ISO 9001 : 2008
File No. A9020