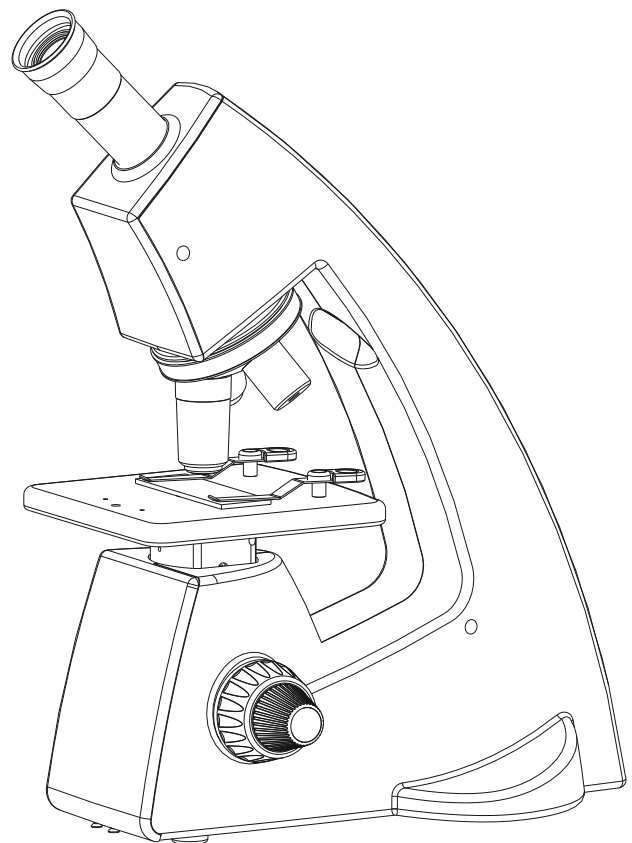


Sigma Service / Part List Manual

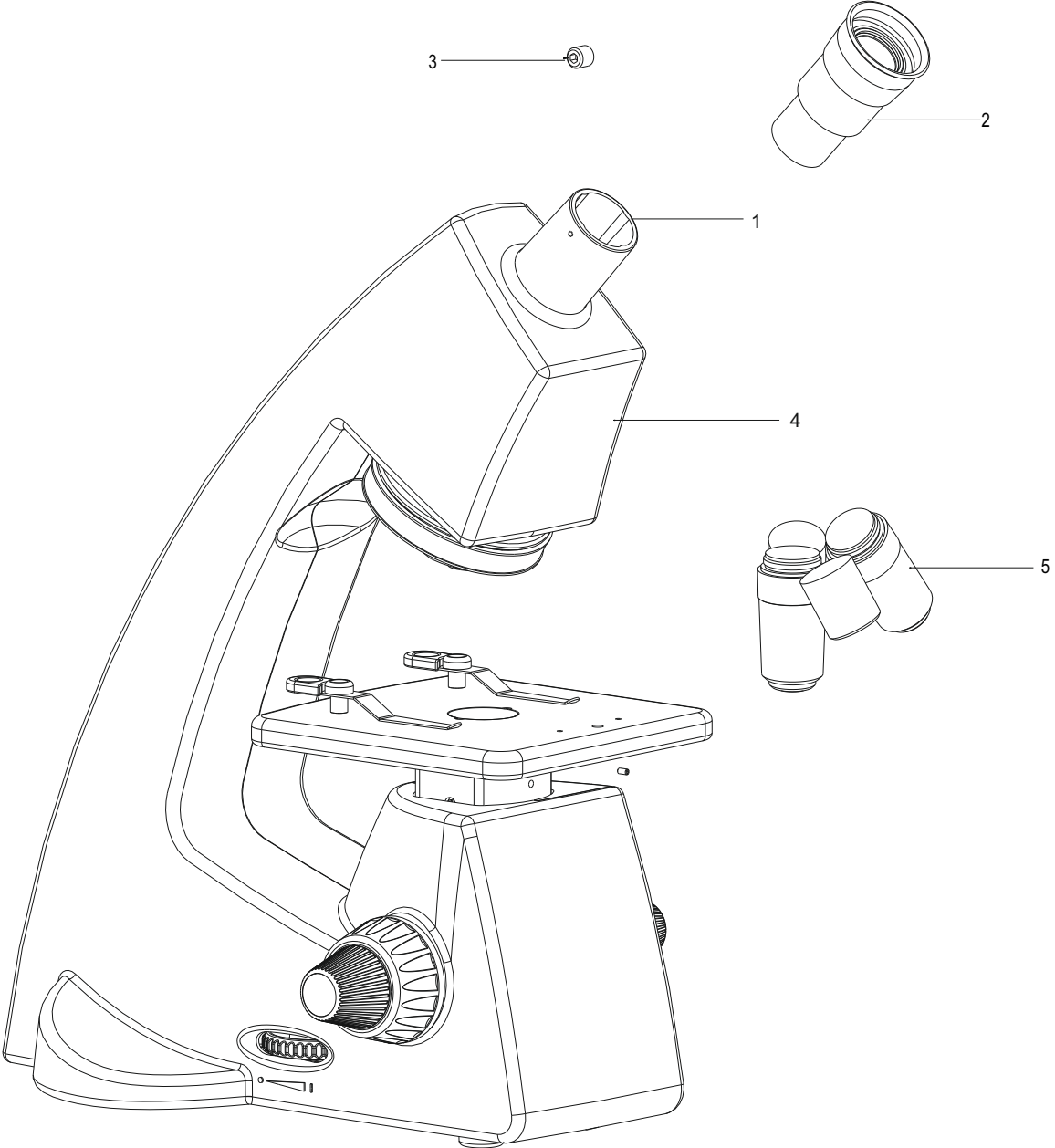
Educational Microscopy



Contents

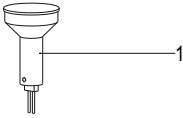
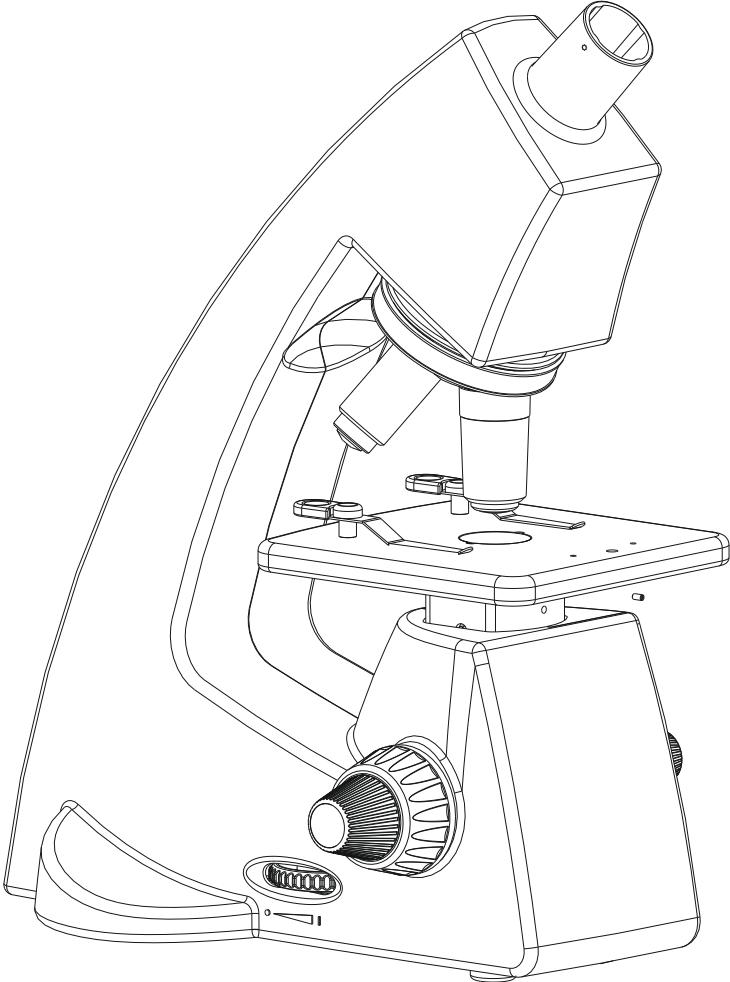
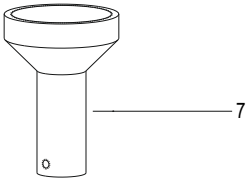
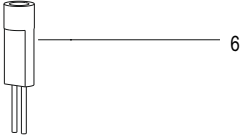
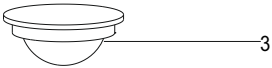
1.0	Eyepieces & Objectives.....	3
2.0	LED & Illumination Assembly.....	5
3.0	Stage Plate.....	7
4.0	Electricals.....	9

1.0 Eyepieces & Objectives



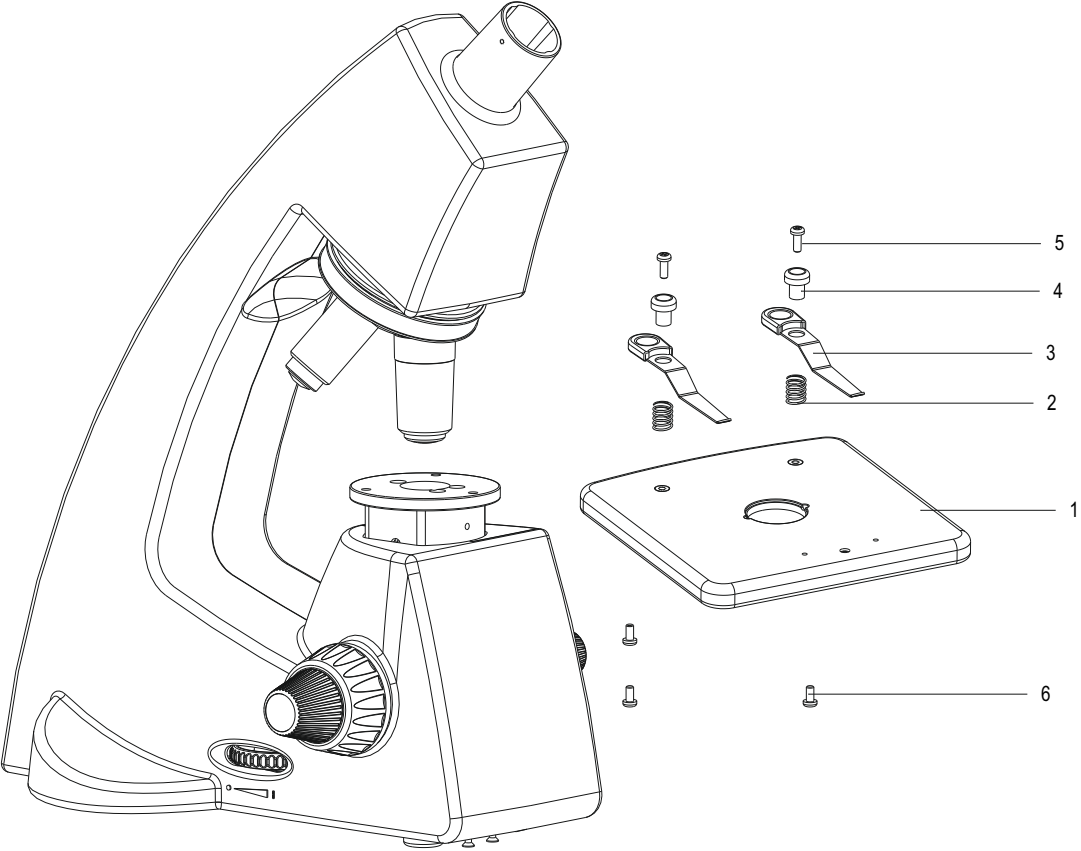
ITEM	PART NUMBER	DESCRIPTION
1	2124000-023	Mono Tube
2	3120012	Wide field 10x/18mm eyepieces
3	SS-071	M2 x 2 Socket set screw
4	2124001	Sigma Monocular Tube
5	5152005	EP series DIN Semi Plan 4x objective
	5152010	EP series DIN Semi Plan 10x objective
	5152040	EP series DIN Semi Plan 40x objective
	5152100	EP series DIN Semi Plan 100x objective

2.0 LED & Illumination Assembly



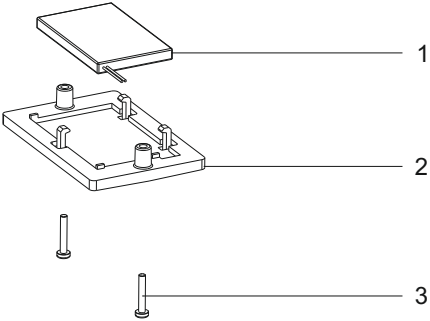
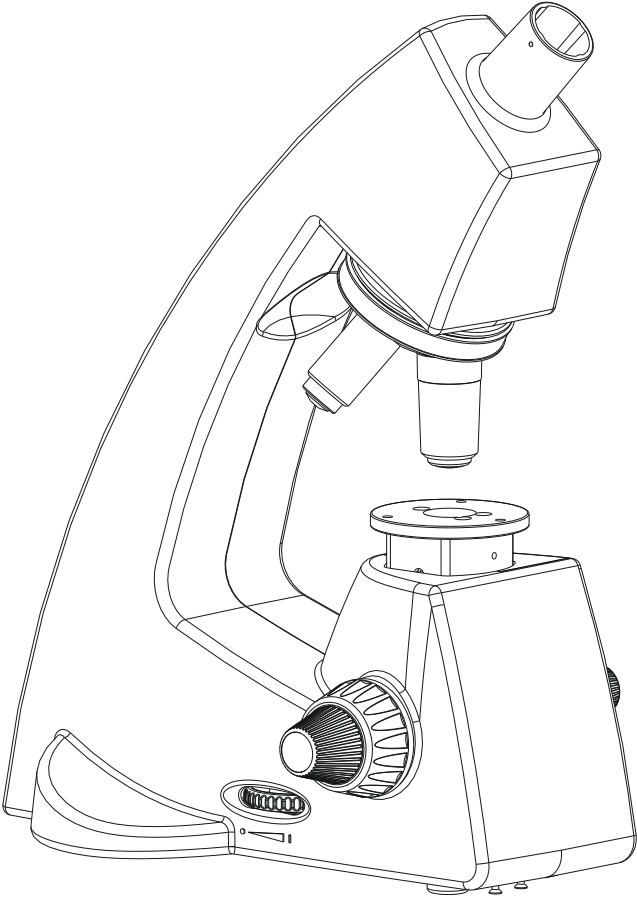
ITEM	PART NUMBER	DESCRIPTION
1	2124000-812	Assy LED with condenser lens
2	SS-710	M2 x 3 Socket set screw
3	2124000-801	Assy Condenser lens mount
4	2124000-603	Frosted plate
5	4140000-098	LED
6	8124850-903	LED holder
7	2124000-022	Housing LED

3.0 Stage Plate



ITEM	PART NUMBER	DESCRIPTION
1	2124005-800	Stage plate
2	2124000-042	Spring For Stage Clip
3	2124000-814	Assy Stage Clip
4	MG-078	Bush Stage Clip
5	SS-661	Screw M3x 12
6	13 x 55292	M3 x 8 Socket Low Head Screw

4.0 Electricals



ITEM	PART NUMBER	DESCRIPTION	.
1	2124000-901	Battery	.
2	2124000-10M	Battery Cover	.
3	SS-108	M2.5 x 15 Slotted Pan Head	.

:

:



www.laboamerica.com

Our policy is one of continuous development. Labo America, Inc., reserves the right to change design and specifications without prior notice.

Labo America Inc.
920 Auburn Court.
Fremont
CA 94538

U.S.A.
Telephone: 510 445 1257
Fax: 510 991 9862
sales@laboamerica.com



LABOMED and Sigma are registered trademarks of Labo America, Inc.
With a policy of continuous development, Labo America, Inc. reserves the right to change design and specifications without prior notice.

© 2009 Labo America, Inc. | 2124001-991A 04-2020

ISO 9001 : 2008
File No. A9020