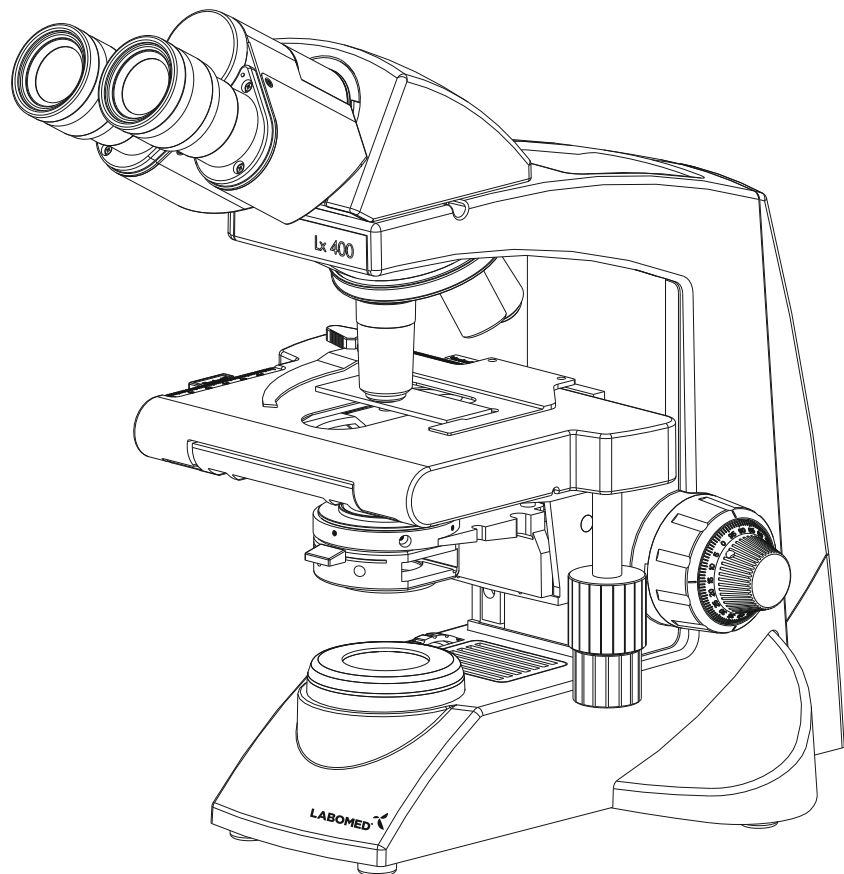


Lx 400 Service / Part List Manual

Research Microscopy



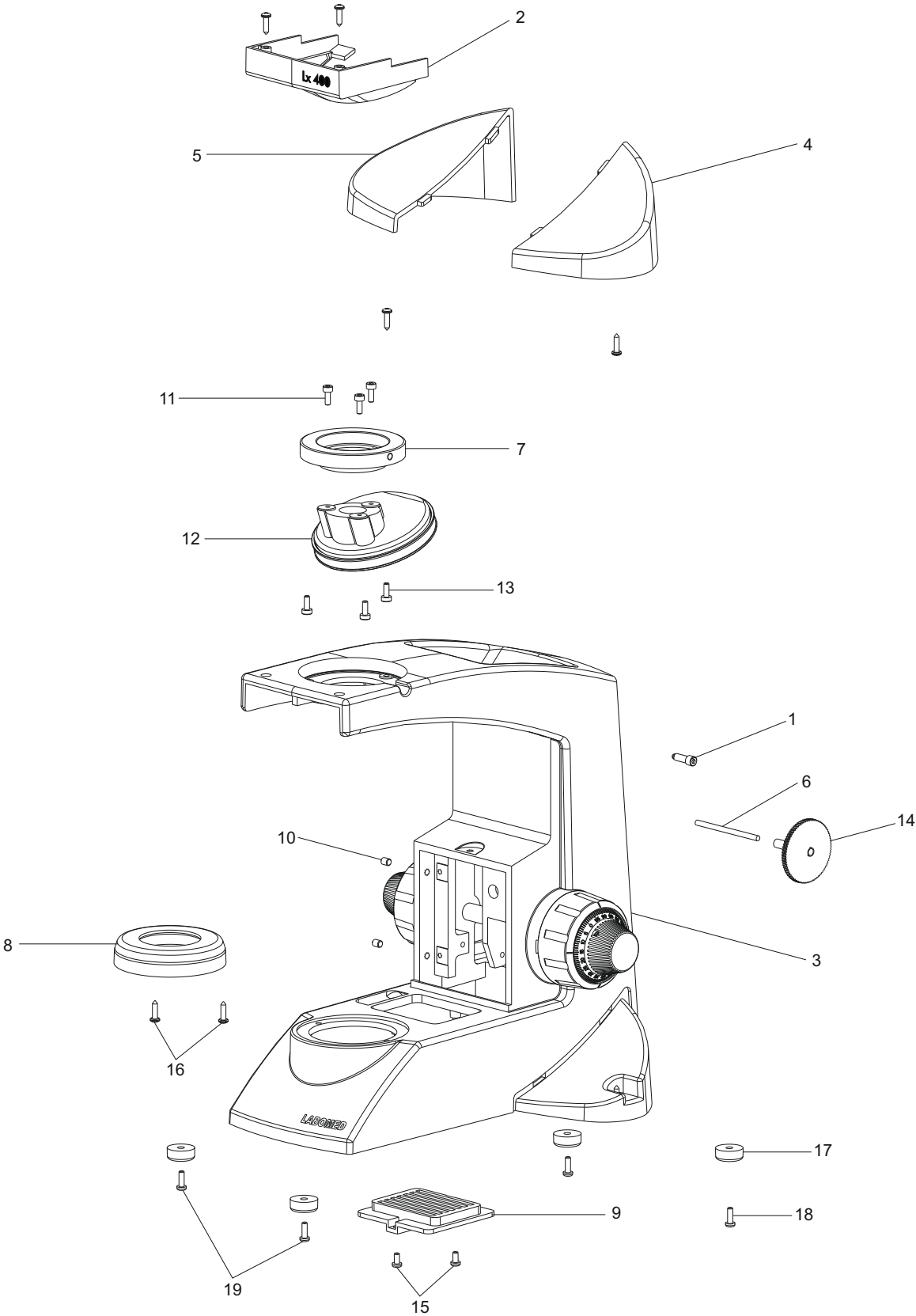
LABOMED Lx 400

Service / Part List Manual

Contents

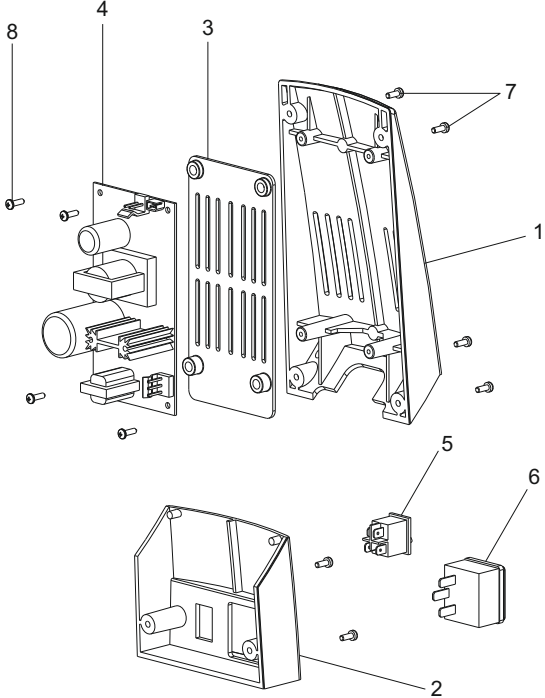
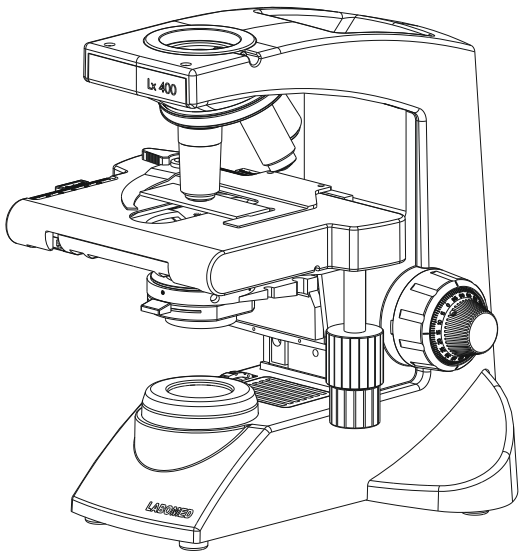
1.0	Stand.....	3
2.0	PCB assembly.....	5
3.0	Illumination assembly.....	7
4.0	Focus assembly.....	9
5.0	Koehler mount assembly.....	11
6.0	Objective & Substage assembly.....	13
7.0	Mechanical stage assembly.....	15
8.0	Binocular head assembly.....	17
9.0	Trinocular head assembly.....	17

1.0 Stand



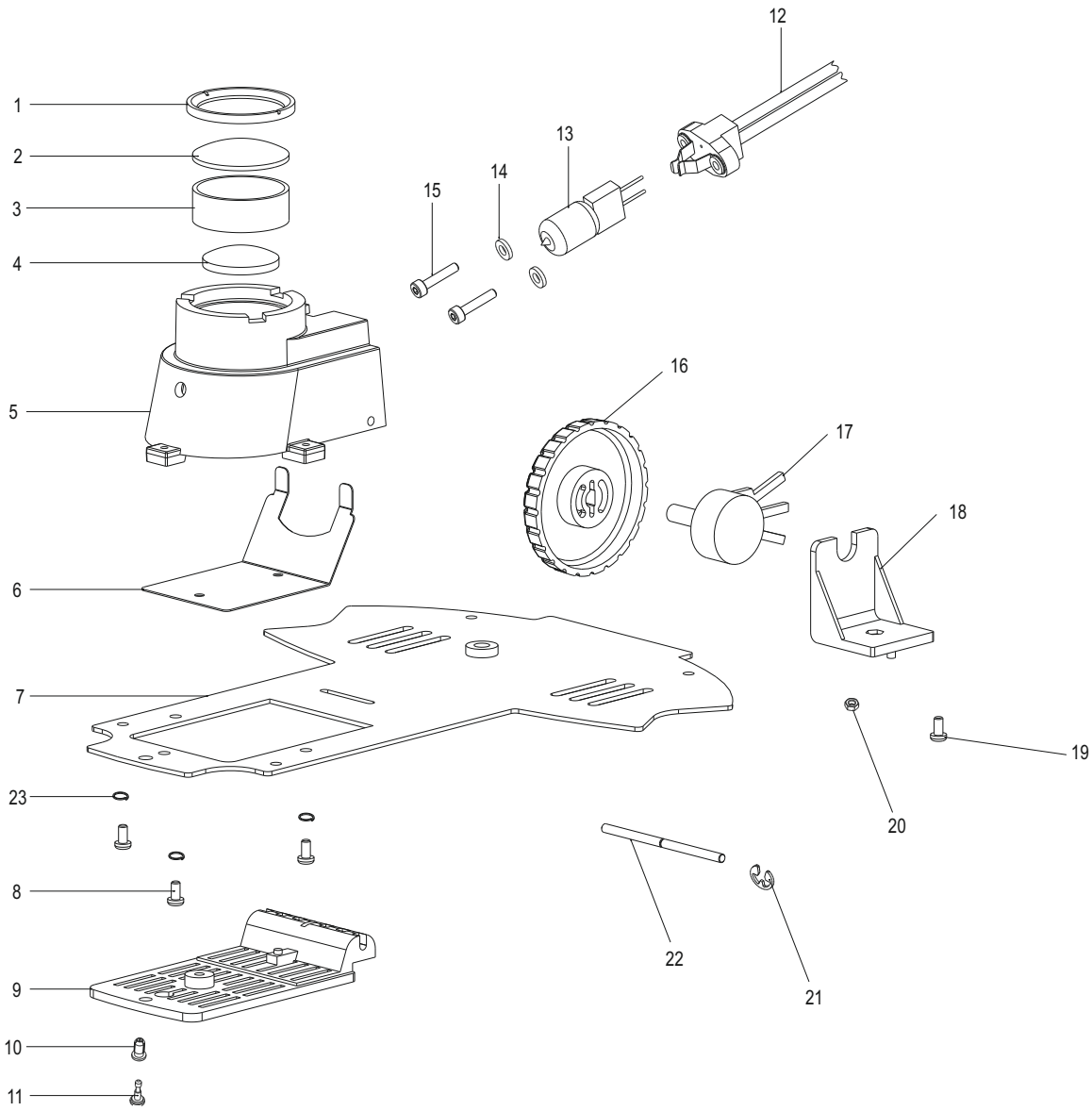
ITEM	PART NUMBER	DESCRIPTION
1	020-518-010-132	Allen screw
2	312086-203	Nosepiece cover
3	9126000-101	Lx 400 Stand
4	9126000-104M	Right Cover
5	9126000-105M	Left Cover
6	9135000-107	Gear Axle
7	9126000-111	Adapter, nosepiece
8	A9126013	Critical mount assy.
9	13493000-414	Vent
10	13x54268	M4x5 screw
11	13x55292	M3x screw
12	A9126001	Turret assembly
13	AS-141	M3x8 screw
14	S41-020-010-110	Gear wheel assembly
15	SS-658	M3x6 Pan head screw
16	X54346	Ka30x10 PT oval head screw
17	9126000-523	Rubber feet
18	SS-193	KA30x20 screw
19	SS-660	M3x10 screw

2.0 PCB Assembly



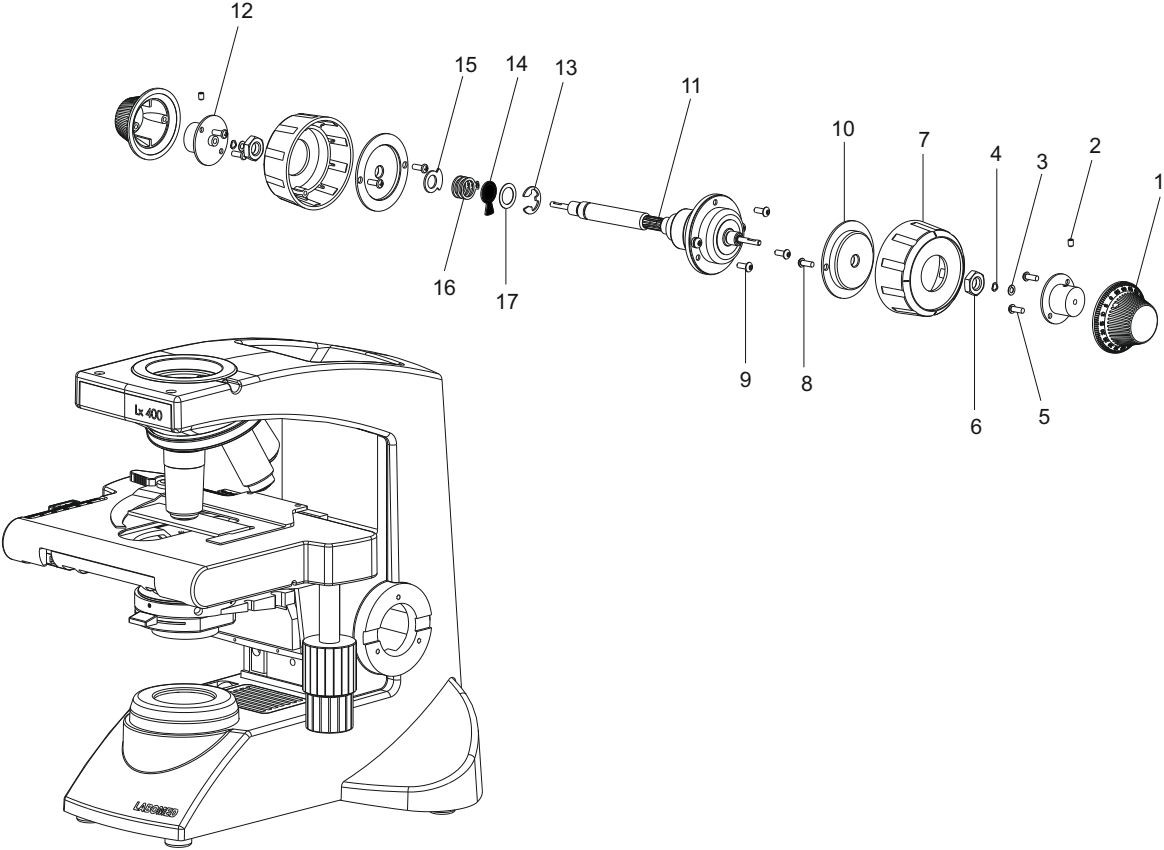
ITEM	PART NUMBER	DESCRIPTION
1	9126000-102M	Back cover
2	9126000-103	Electrical panel
3	9135000-109	Ventilation plate
4	A9126000-900	SMPS 6V-20W
5	WSWT-20024	On/off switch
6	8126000-907	AC Input socket
7	SS-660	M3x10 screw Pan HD screw
8	X54383	Ka30x8 Pt. oval head screw

3.0 Illumination Assembly



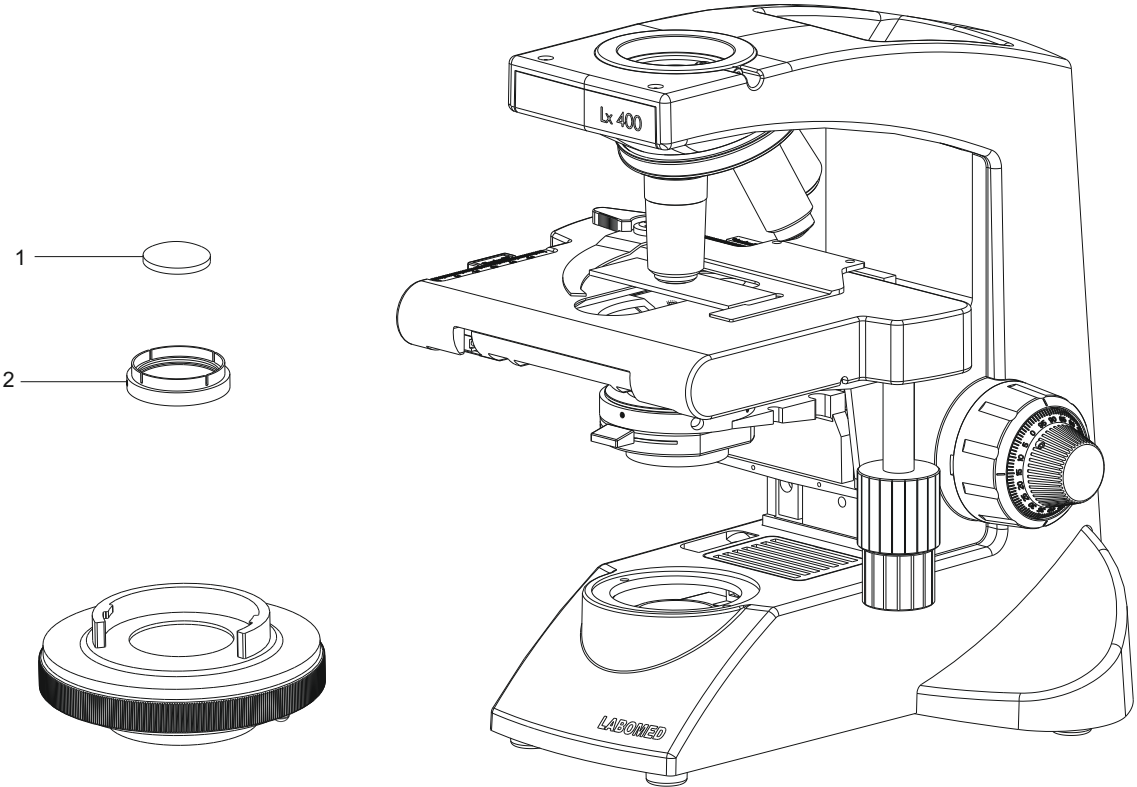
ITEM	PART NUMBER	DESCRIPTION
1	13493000-52	T-Ring
2	13493000-602	Lens B
3	13493000-51	Spacer
4	13493000-601	Lens A
5	9126000-502	Lamp housing
6	9126000-507	Heat shield
7	9126000-501	Base plate Lx-400 HL
8	SS-659	M3x8 screw
9	9126000-503M	Lamp door
10	13593000-456	Grommet nylatch
11	13593000-465	Plunger nylatch
12	13593000-463	Lamp socket
13	CX-013	Halogen bulb 6V 20W
14	13x54425	SS washer
15	13x54424	M2x10 screw
16	9126000-505M	Potentiometer knob
17	7121000-909	Potentiometer socket 10K
18	13493000-466	Support bracket
19	SS-658	M3x6 screw
20	X52222	M3 nut
21	CX-036	Circlip base 3mm/0.6
22	13593000-459	Lamp door shaft
23	13x55665	Ext. tooth washer M3

4.0 Focus assembly



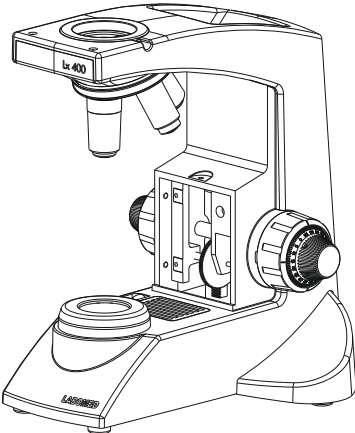
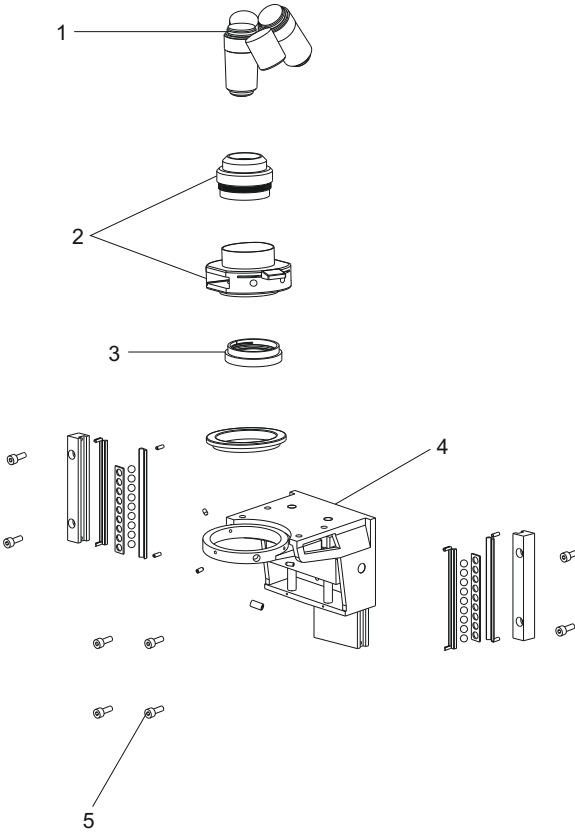
ITEM	PART NUMBER	DESCRIPTION
1	9126000-114	Knob fine focus
2	X54215	M3x4 Skt/Set/SS
3	707866-220000	Wave washer
4	705522-220000	Washer 3.2x6.2x0.2
5	X54383	M4x6.5 self tapping screw
6	709540-630000	Hex nut M8x1.0P
7	9126000-115	Knob coarse motion
8	X54383	Ka30x8 PT oval head
9	X54397	M3x8 Button head
10	13493000-455	Coarse mounting plate
11	9135000-822	Focusing ball drive
12	13493000-456	Fine mounting plate
13	X55695	Ring E-style 8mm
14	020-518.010-069	Stop disc
15	020-518.010-067	Follower 1
16	020-518.010-068	Follower 2
17	706958-220000	Plain washer

5.0 Koehler mount assembly



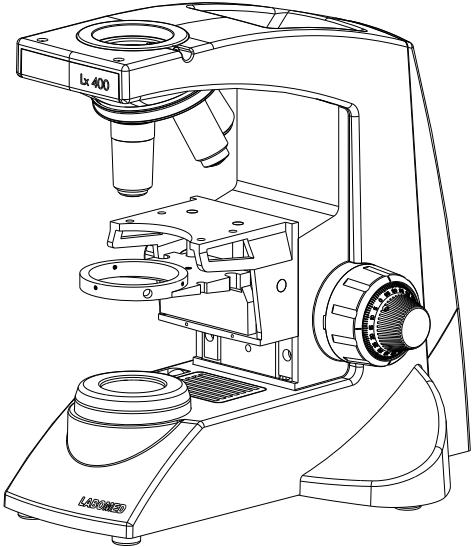
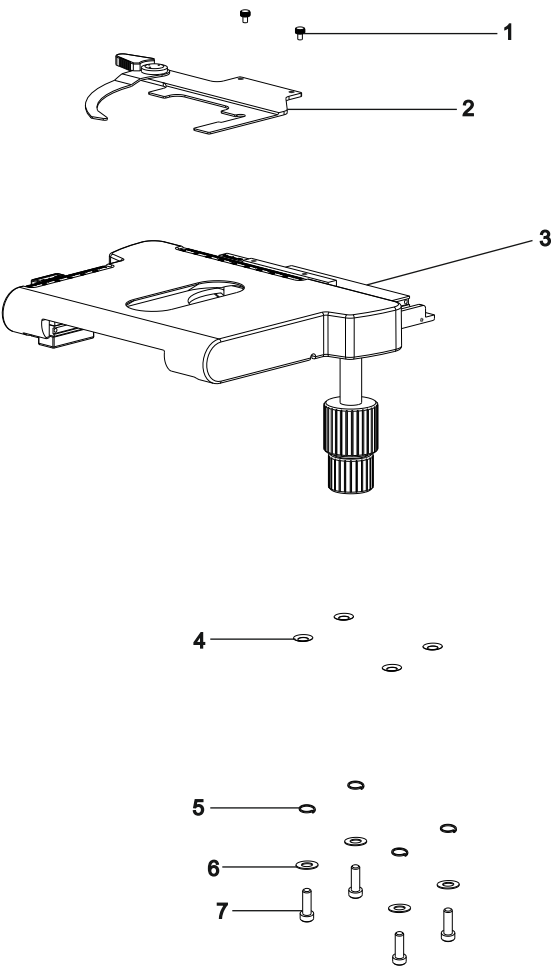
ITEM	PART NUMBER	DESCRIPTION	.
1	13496060-604	Lens A diffused	.
2	13496060-810	Koehler illumination, Lens D assembly	.

6.0 Objective & Substage assembly



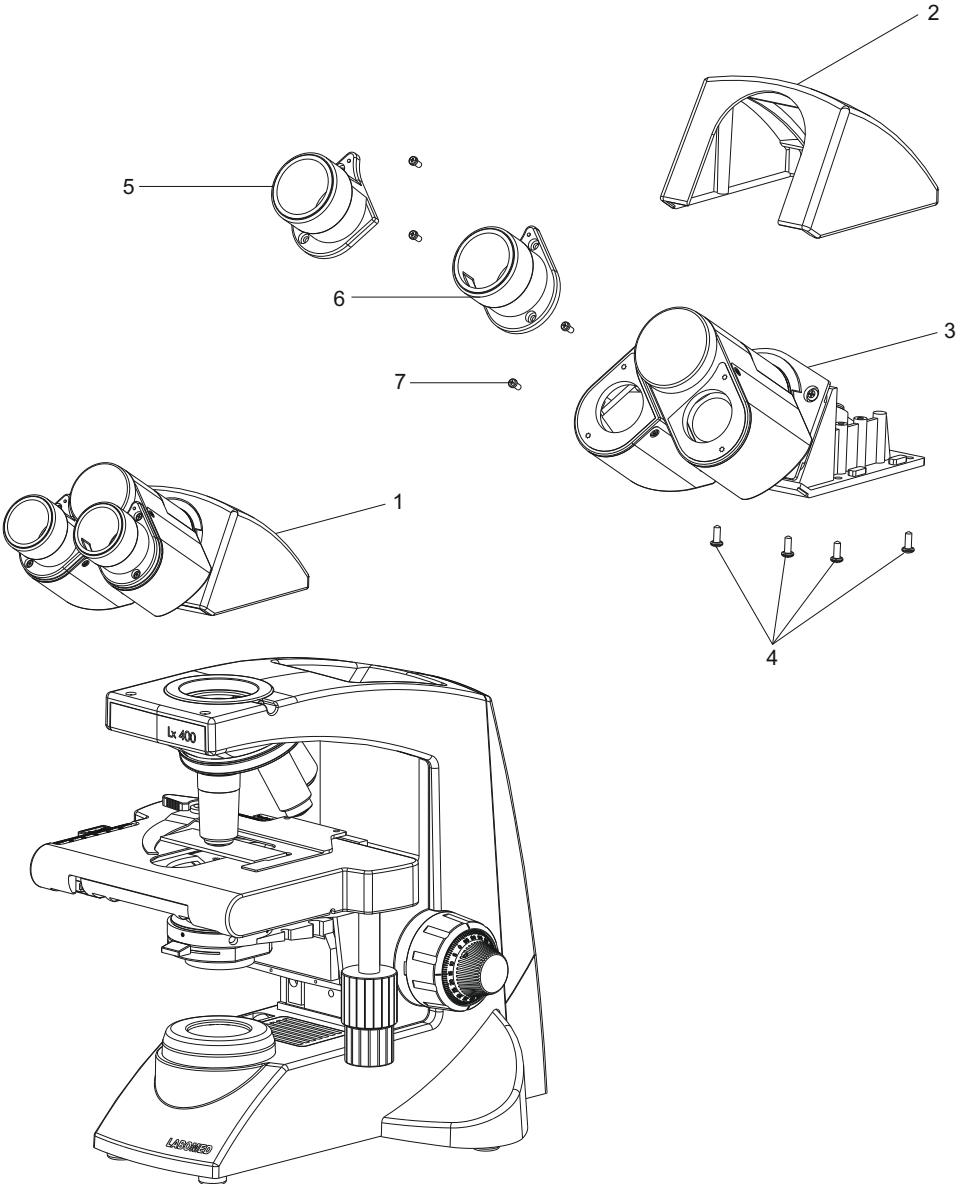
ITEM	PART NUMBER	DESCRIPTION
1	9122005	RP series infinity corrected DIN Plan 4x objective
	9122010	RP series infinity corrected DIN Plan 10x objective
	9122040	RP series infinity corrected DIN Plan 40x(spring) objective
	9122100	RP series infinity corrected DIN Plan 100x(spring, oil) objective
2	A3124040	Condenser ball/Diaphragm (Abbe condenser N.A. 1.25)
3	A3126060	Blue filter assembly
4	9126000-810	Stage bracket assembly
5	SS-717	Socket head cap screw M4x12

7.0 Mechanical stage assembly



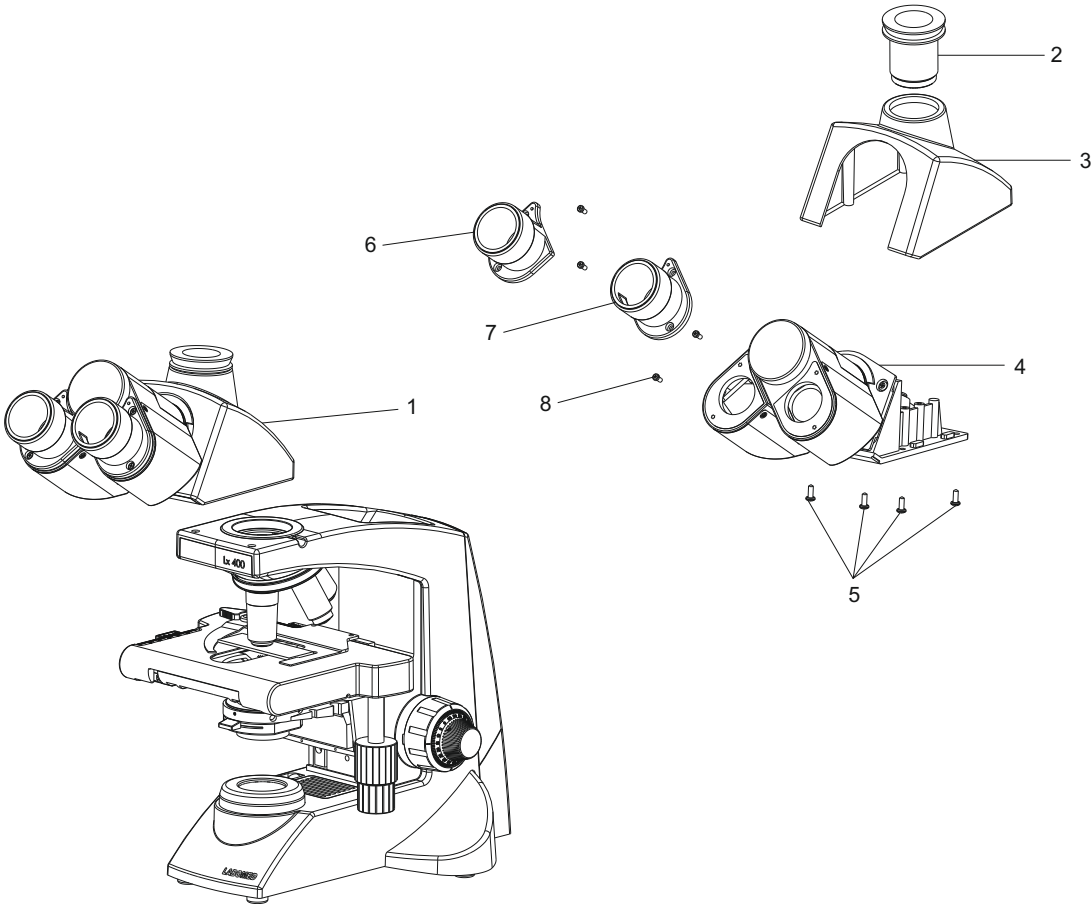
ITEM	PART NUMBER	DESCRIPTION
1	AS-141	Screw
2	9126000-815	Slide carrier assembly Lx 400
3	A9126002	Mechanical stage assembly
4	X54220	Bevel washer
5	SS-278	Spring washer
6	X54223	Plain washer
7	SS-717	Screw

8.0 Binocular head assembly



ITEM	PART NUMBER	DESCRIPTION	.
1	A9126400	Bino body	.
2	9126000-201	Cover bino body	.
3	9126000-250	Adapter plate	.
4	SS-659	M3x8 Pan head screw	.
5	9126000-210	Ocular mount LH	.
6	9126000-211	Ocular mount RH	.
7	SS-102	M2.5x5 Pan head screw	.

9.0 Trinocular head assembly



ITEM	PART NUMBER	DESCRIPTION
1	A9126600	Trino head Lx 400
2	9126900-003	Trino tube
3	9129000-201	Cover trino body
4	9126900-250	Adapter plate
5	SS-659	M3x8 Pan head screw
6	9126000-212	Ocular mount LH
7	9126000-211	Ocular mount RH
8	SS-102	M2.5x5 Pan head screw



www.laboamerica.com

Our policy is one of continuous development. Labo America, Inc., reserves the right to change design and specifications without prior notice.

Labo America Inc.
920 Auburn Court
Fremont
CA 94538

U.S.A.
Telephone: 510 445 1257
Fax: 510 991 9862
sales@laboamerica.com



LABOMED and Lx 400 are registered trademarks of Labo America, Inc.
With a policy of continuous development, Labo America, Inc. reserves the right to change design and specifications without prior notice.
© 2009 Labo America, Inc. | 9126000-990A 04-2020

ISO 9001 : 2008
File No. A9020