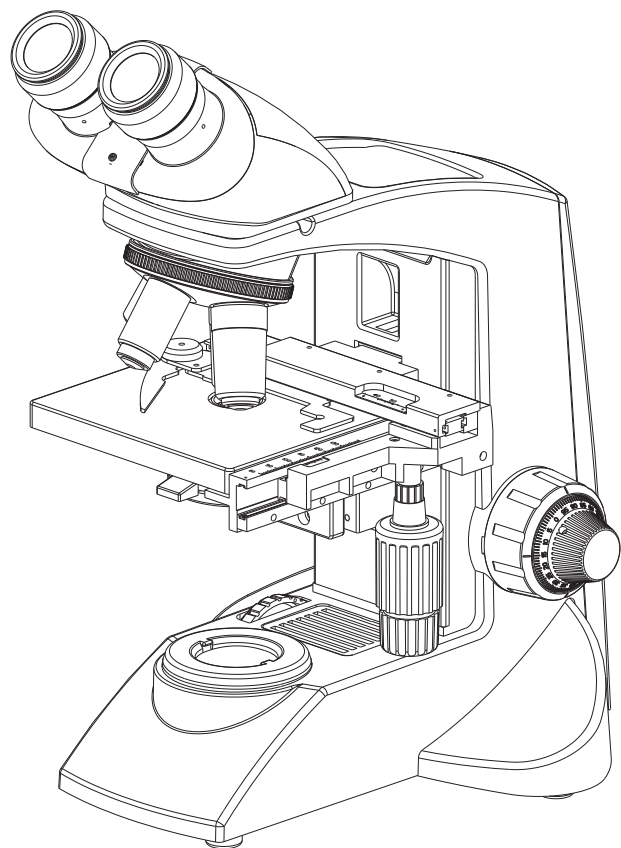


# CxL Service / Part List Manual

Educational Microscopy



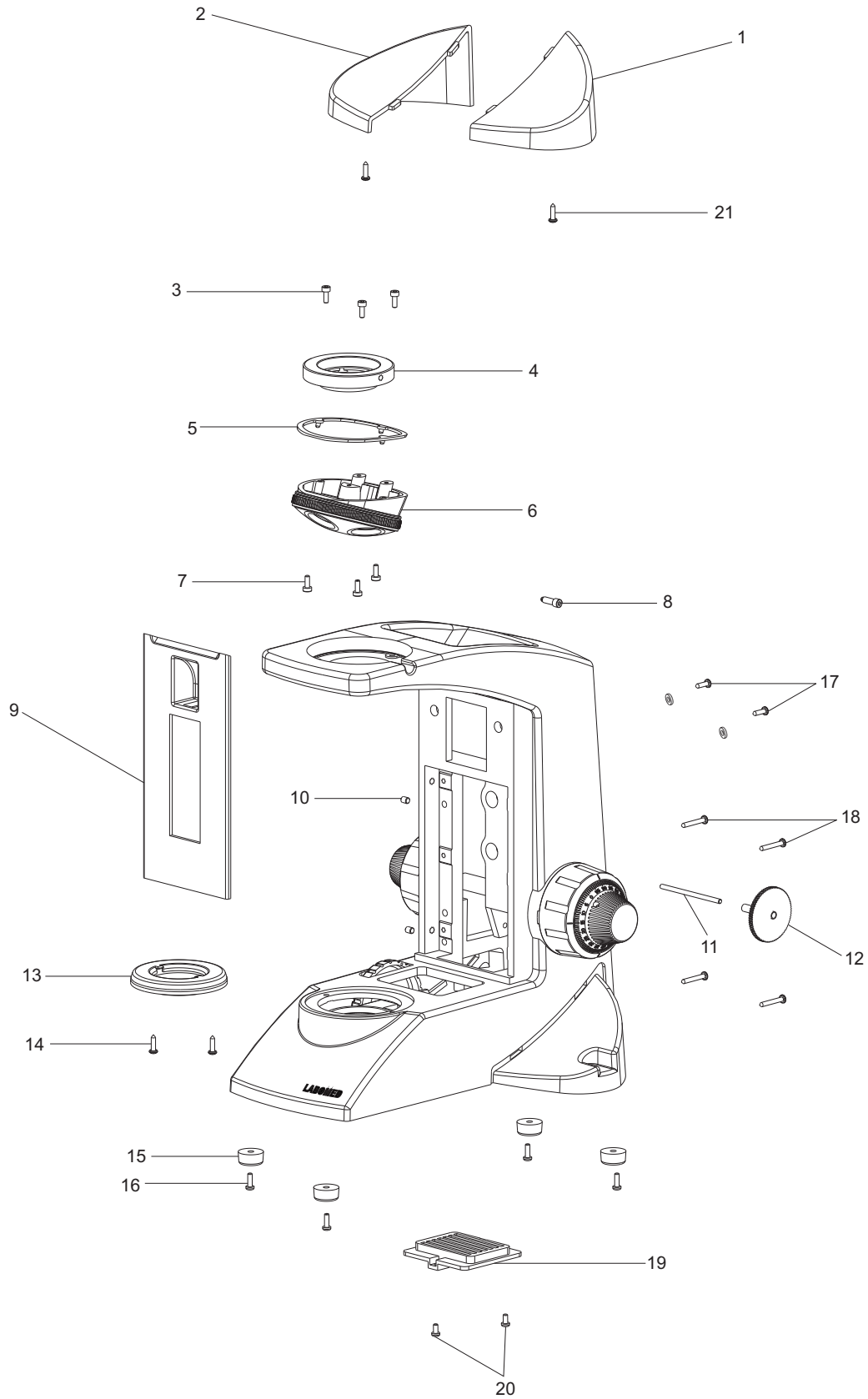
# LABOMED CxL

## Service / Part List Manual

### Contents

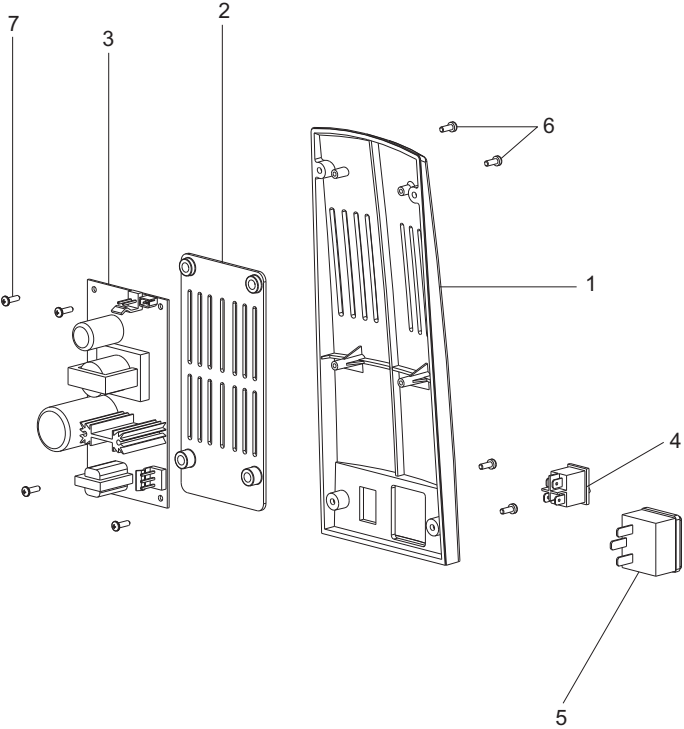
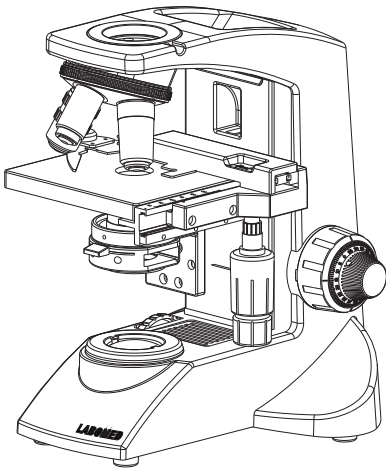
1.0	Stand.....	3
2.0	PCB assembly.....	5
3.0	Illumination assembly.....	7
4.0	Focus assembly.....	9
5.0	Critical mount assembly.....	11
6.0	Objective & Sub-stage assembly.....	13
7.0	Mechanical stage assembly.....	15
8.0	Monocular head assembly.....	17
9.0	Binocular head assembly.....	19
10	Trinocular head assembly.....	21

# 1.0 Stand



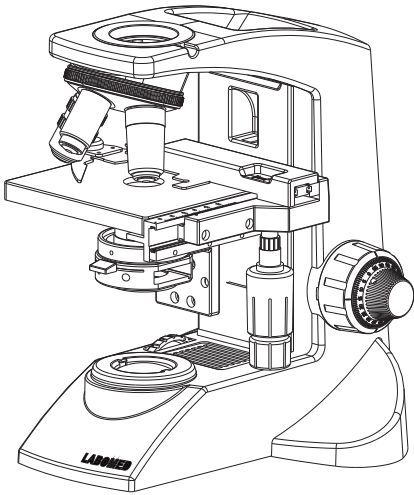
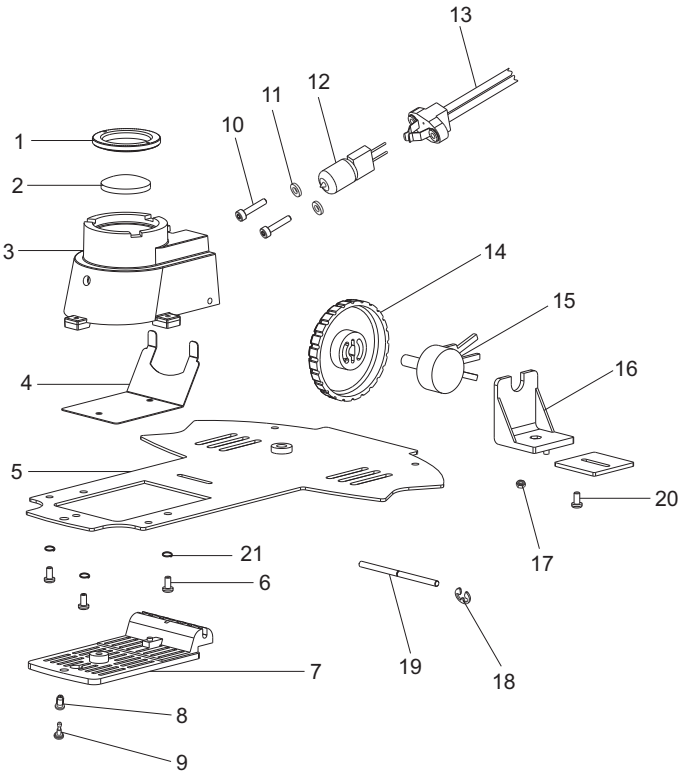
ITEM	PART NUMBER	DESCRIPTION
1	9126000-104M	Right cover
2	9126000-105M	Left cover
3	13 x 55292	M3 x 8 screw
4	9126000-111	Adaptor nosepiece
5	9135000-552	Turret packing
6	9135001	Turret Assy CxL
7	X54292	M3 x 8 Socket low head screw
8	020-518-010-132	Allen Screw
9	9135000-103M	Front Cover
10	13x54268	M4x5 Socket set screw
11	9135000-107	Gear Axle
12	020518-010087	Gear wheel Assy
13	9135000-508	Critical mount CxL HL
14	X54383	KA30 x Pt oval head screw
15	9126000-523	Rubber feet
16	SS-660	M3 x 10 screw
17	SS-301	M3 x 6 self tap screw
18	X54394	KA30x16 PT oval head screw
19	13493000-414	Vent
20	SS-658	M 3x 6 screw
21	SS-193	KA 30 x 20 screw

# 2.0 PCB Assembly



ITEM	PART NUMBER	DESCRIPTION
1	9135000-102	Back plate
2	9135000-109	Ventilation plate
3	A9126000-900	SMPS 6V-20W
4	WSWT 20024	On/Off switch
5	8126000-907	AC input socket
6	SS-659	M3x8 screw
7	X54383	KA30x8Pt. oval head screw

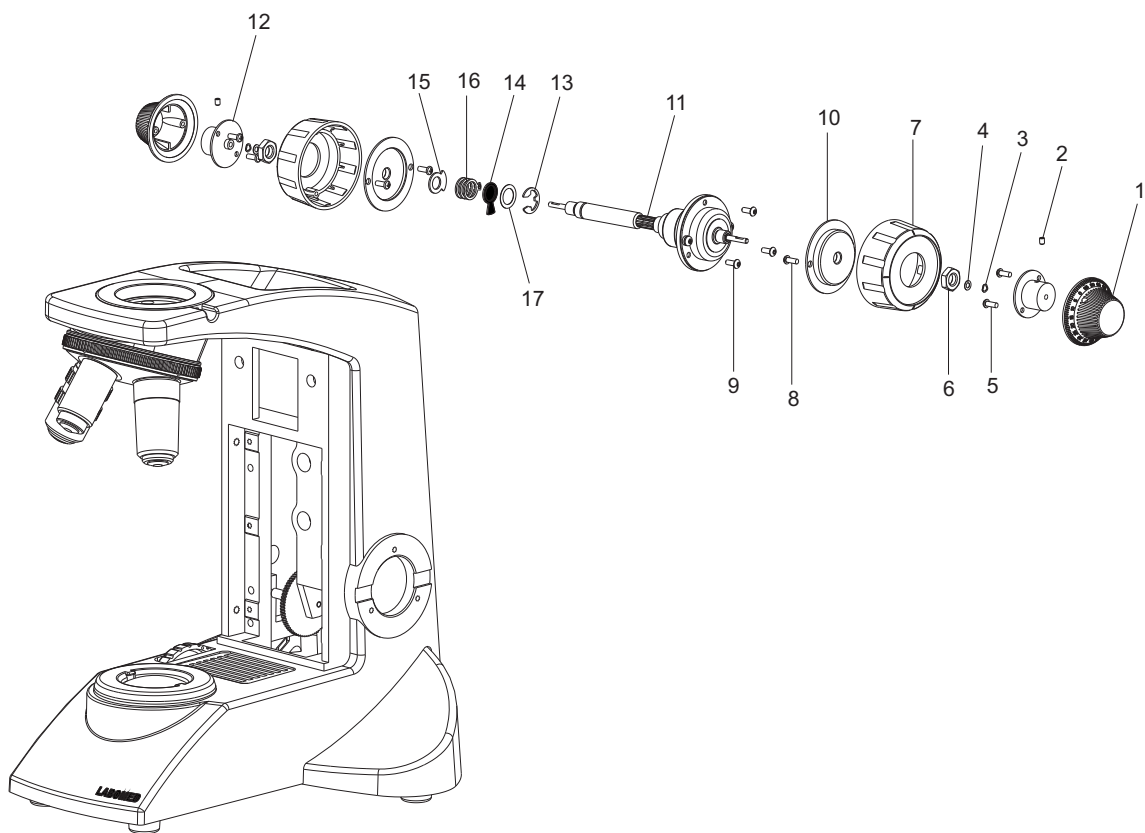
# 3.0 Illumination Assembly



ITEM	PART NUMBER	DESCRIPTION
1	9135000-511	T-Ring M36
2	9135000-602	Lens-A
3	9135000-502	Lamp Housing
4	9126000-507	Heat Shield
5	9135000-501	Base plate CxL-HL
6	SS-659	Screw M3 x 8 screw
7	9126000-503	Lamp Door
8	13593000-456	Groment Nylateh
9	13593000-465	Plunger Nylateh
10	13 x 54424	M2 x 10 screw
11	13 x 54425	SS washer
12	CX-013	Bulb (6V-20W)
13	13593000-463	Lamp socket
14	9126000-505	Potentiometer knob
15	7121000-909	Potentiometer 10K
16	13493000-466	Support bracket
17	X52222	M3 nut
18	CX-036	Circlip base 3mm/0.6
19	13593000-459	Lamp door shaft
20	SS-658	M3x6 Screw
21	13x55665	Ext. tooth washer M3

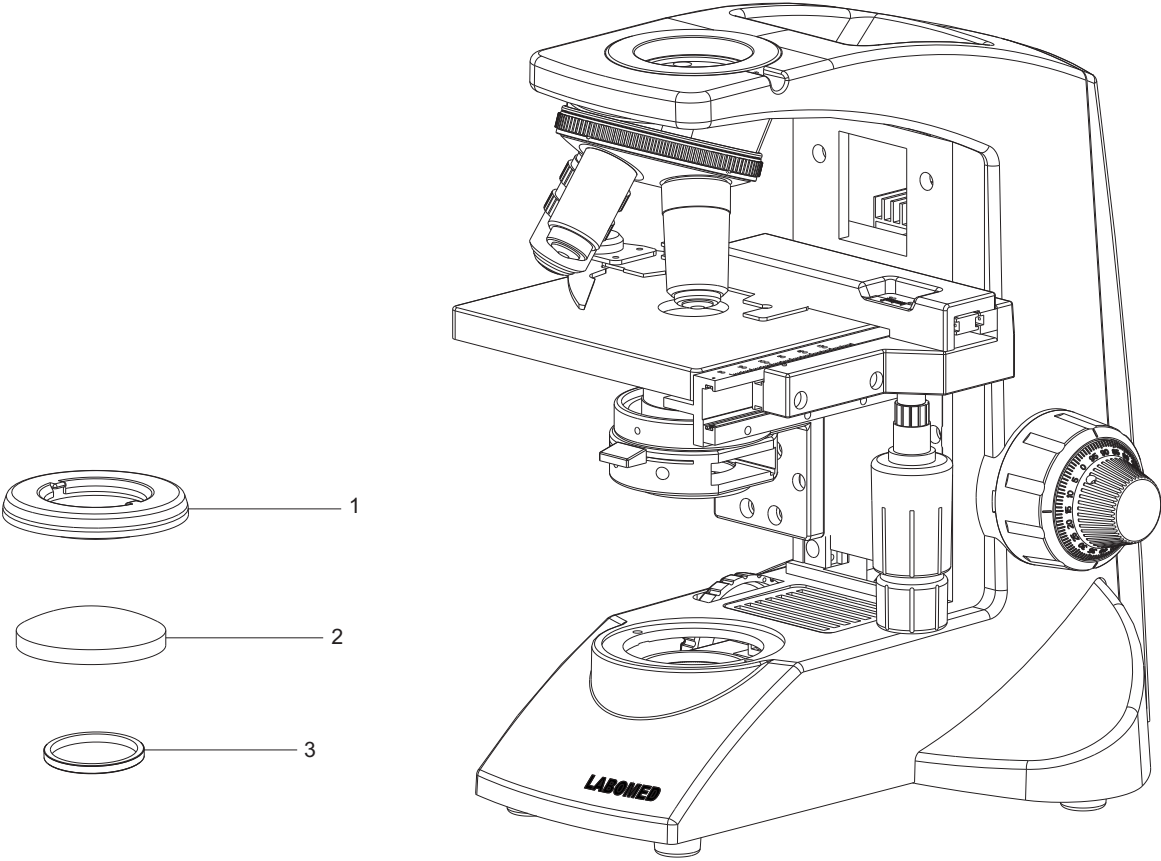


## 4.0 Focus assembly



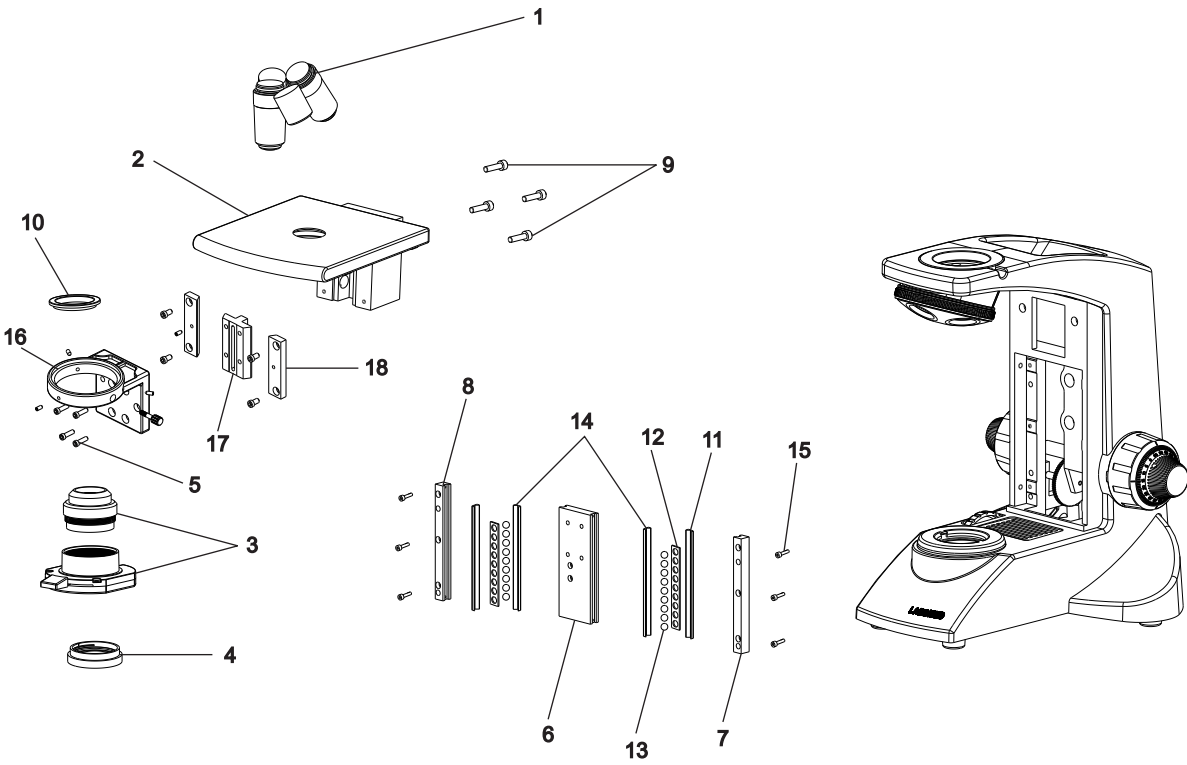
ITEM	PART NUMBER	DESCRIPTION
1	9126000-114	Knob fine focus
2	X54215	M3x4 Skt/Set/SS
3	707866-220000	Wave washer
4	705522-220000	Washer 3.2x6.2x0.2
5	X54383	M4x6.5 self tapping screw
6	709540-630000	Hex nut M8x1.0P
7	9126000-115	Knob coarse motion
8	X54383	Ka30x8 PT oval head
9	X54397	M3x8 Button head
10	13493000-455	Coarse mounting plate
11	9135000-822	Focusing ball drive
12	13493000-456	Fine mounting plate
13	X55695	Ring E-style 8mm
14	020-518.010-069	Stop disc
15	020-518.010-067	Follower 1
16	020-518.010-068	Follower 2
17	706958-220000	Plain washer

# 5.0 Critical mount assembly



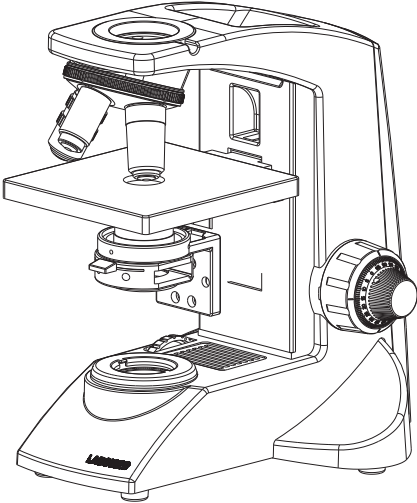
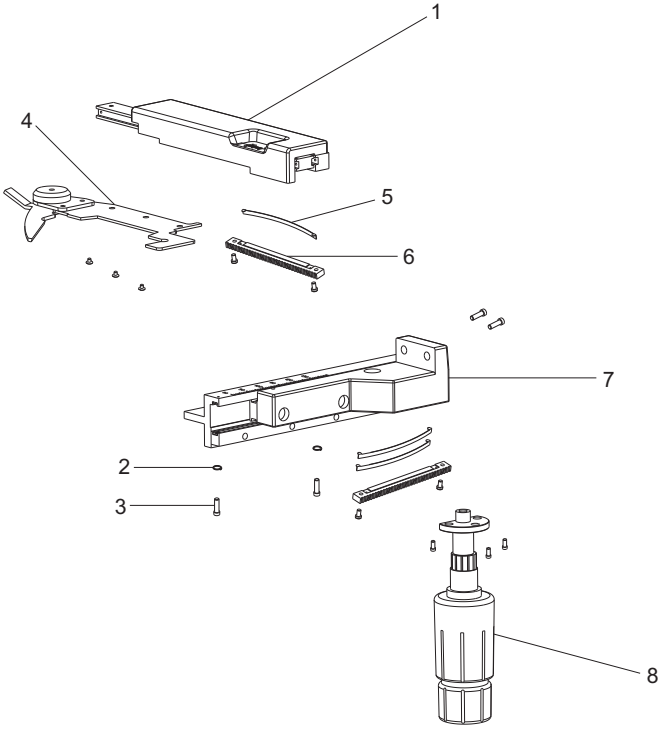
ITEM	PART NUMBER	DESCRIPTION	.
1	9135000-508	Critical mount	.
2	9135000-601	Top lens	.
3	9135000-517	T-Ring M42	.

# 6.0 Objective & Substage assembly



ITEM	PART NUMBER	DESCRIPTION
1	9131005	LP series DIN Semi Plan 4x objective
	9131010	LP series DIN Semi Plan 10x objective
	9131040	LP series DIN Semi Plan 40x(spring) objective
	9131100	LP series DIN Semi Plan 100x(spring, oil) objective
2	9135000-303	Stage block
3	5124040	Condenser ball & Diaphragm (Abbe condenser Assy)
4	A3126060	Blue filter Assy
5	X54212	Socket head cap screw M3x10
6	9135000-301	Moveable Gib
7	9135000-302	Fixed Gib (RT)
8	9135000-304	Fixed Gib (LT)
9	SS-203	1/8" x 1/2" socket head cap screw
10	NM-074	Recaptable Ring
11	9135000-113	Triangular Wire
12	312086-209	Ball Cage
13	13x54419	Steel ball 5mm
14	9135000-112	Triangular Wire
15	X54246	M3x12 Skt. Hd. Screw
16	NM-066	Cond. bracket
17	NM-067	Cond. rack
18	NM-068	Cond. V. Patti aluminum

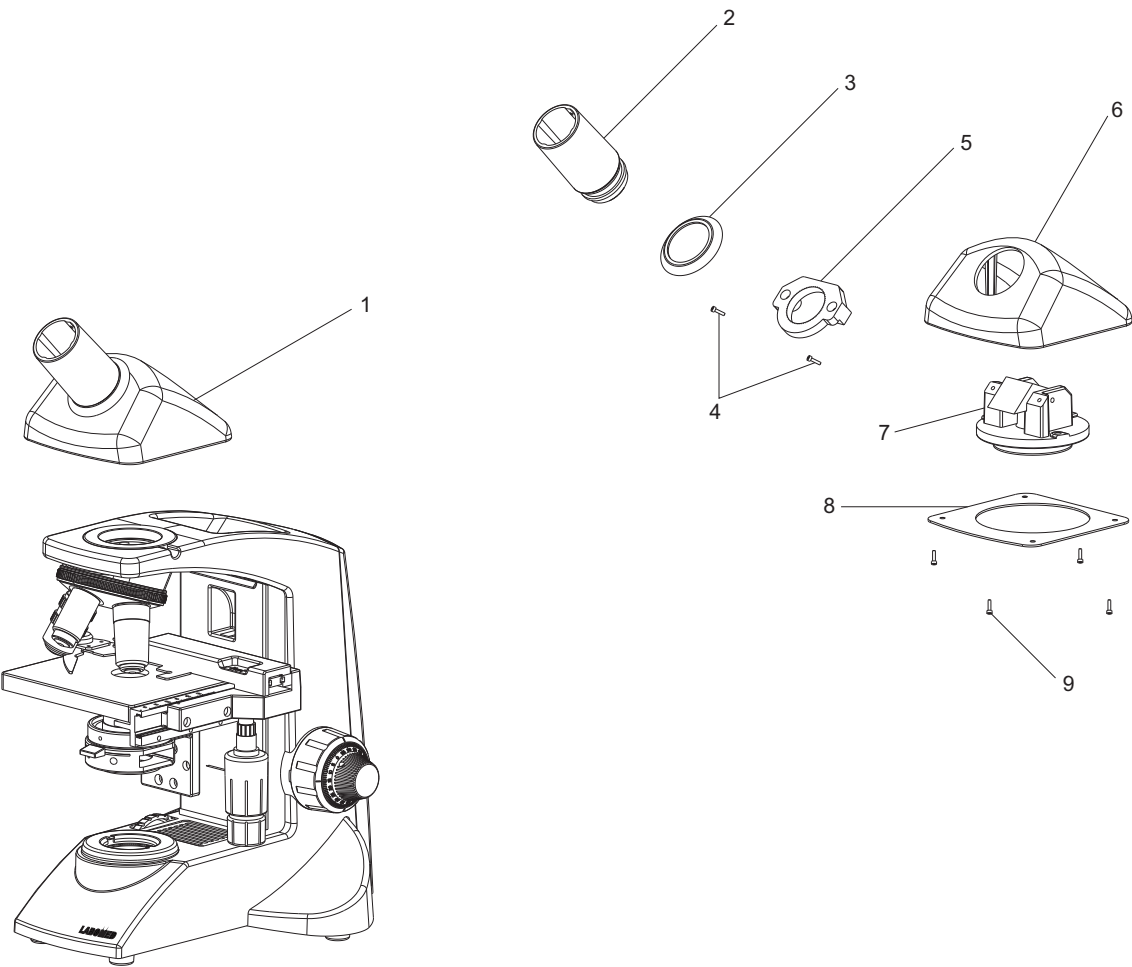
# 7.0 Mechanical stage assembly



ITEM	PART NUMBER	DESCRIPTION	.
1	NM-036	L bracket	.
2	SS-278	Spring washer M4	.
3	SS-630	Socket hard screw	.
4	A9135000-815	Catcher assy.	.
5	NM-041	Leaf spring	.
6	NM-040	Nylon rack	.
7	NM-031	Stage bracket	.
8	9135002-801	Pinion cluster assy.	.

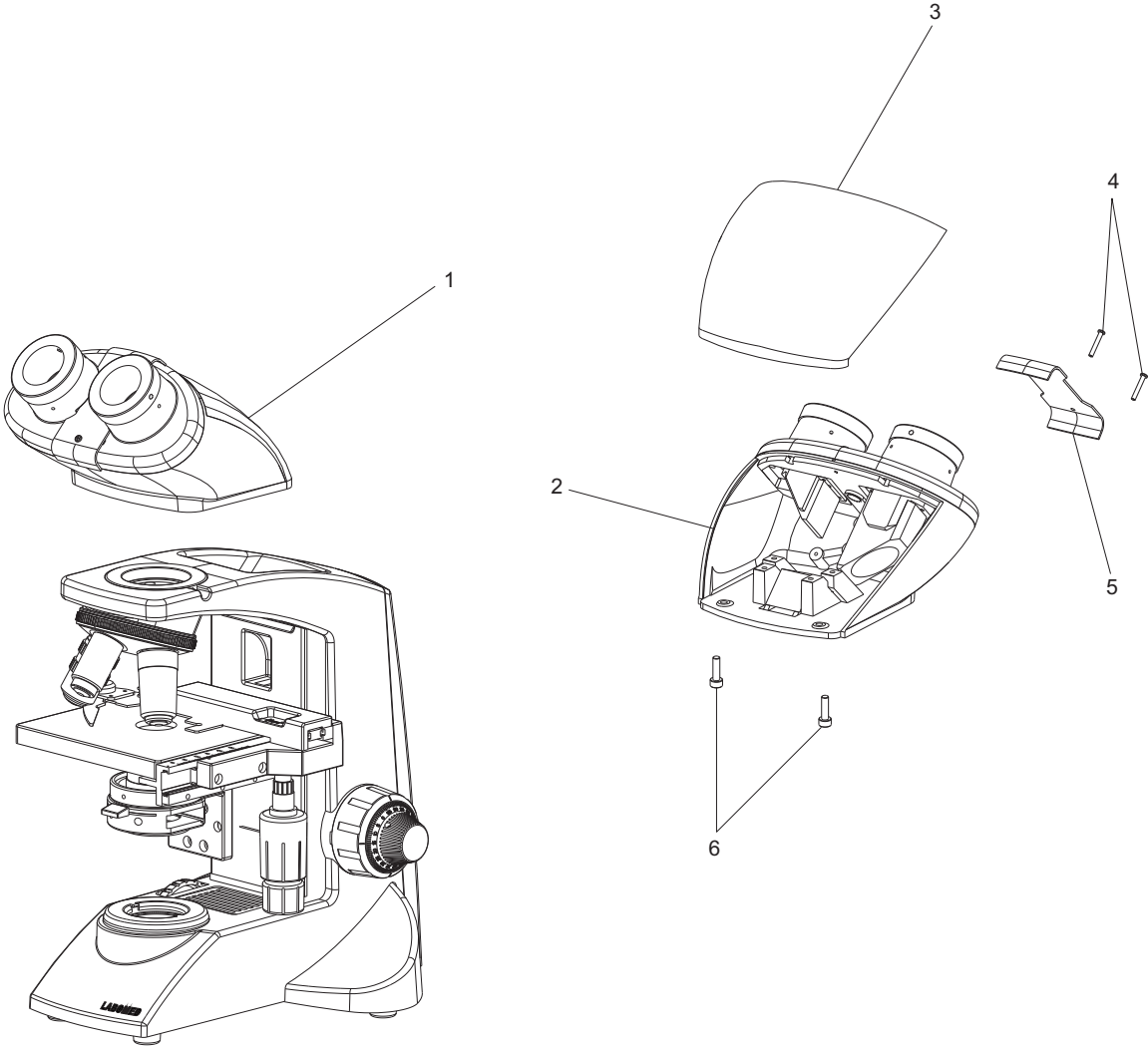


# 8.0 Monocular head assembly



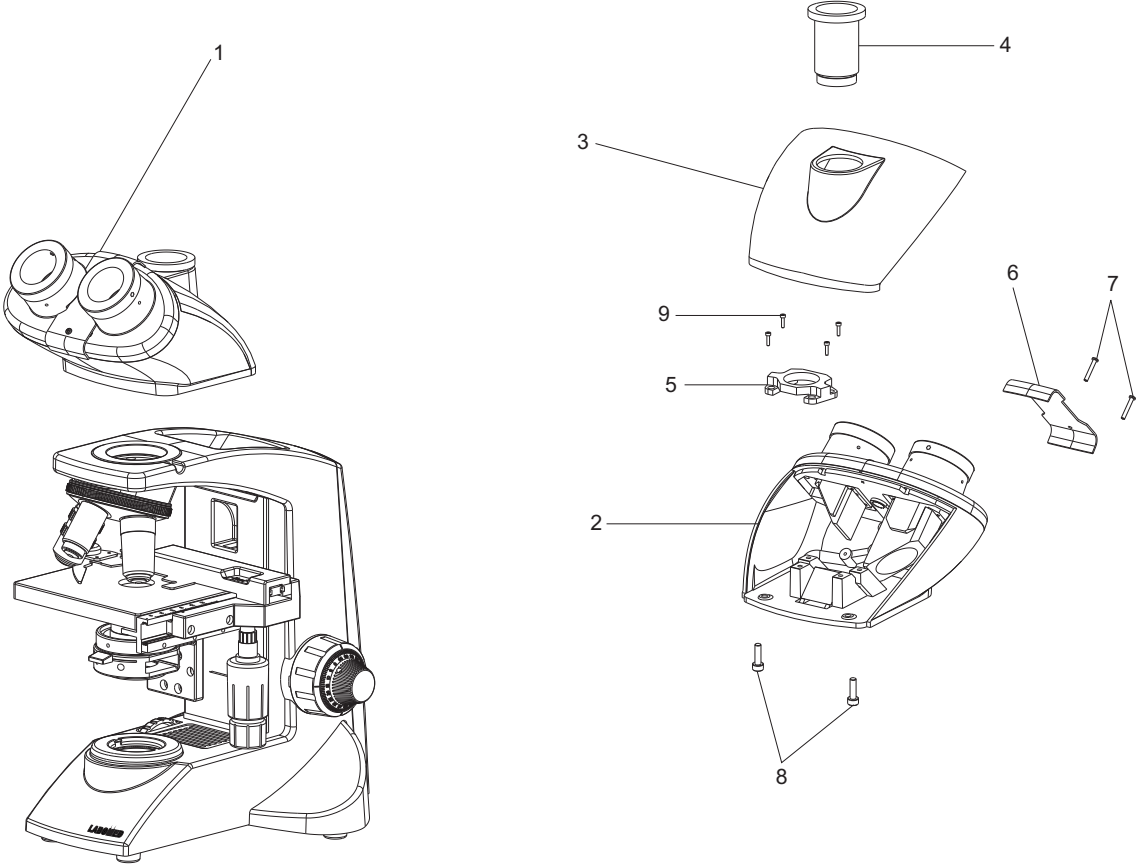
ITEM	PART NUMBER	DESCRIPTION
1	9135100	Mono head
2	9135000-254	Mono tube
3	2124000-029	Eyepiece Flap
4	SS-660	Screw M3 x 10
5	9135000-252	Mount mono tube
6	9135000-250	Mono housing
7	9135000-251	Adaptor plate
8	9135000-253	Bottom cover
9	SS-110	Screw 2.2 x 6 CSK

# 9.0 Binocular head assembly



ITEM	PART NUMBER	DESCRIPTION	.
1	A9135200	Bino body CxL New	.
2	9135000-200	Bino head CxL new	.
3	9135000-201M	Bino body	.
4	SS-076	M2 x 13 Pan head screw (Black)	.
5	9135000-208	Cover plate channel	.
6	X54383	KA30x8 Pt. oval head screw	.

# 10 Trinocular head assembly



ITEM	PART NUMBER	DESCRIPTION
1	A9135300	Trino head CxL
2	9135000-215	Trino body CxL
3	9135000-204	Cover trino
4	9126900-003	Trino tube
5	9126900-001	Mount trino tube
6	9135000-208	Cover plate channel
7	SS-076	M2x13 Pan head screw
8	X54383	KA 30x8 Pt oval head screw
9	SS-660	M3x10 screw



[www.laboamerica.com](http://www.laboamerica.com)

Our policy is one of continuous development. Labo America, Inc., reserves the right to change design and specifications without prior notice.

**Labo America Inc.**  
920 Auburn Court  
Fremont  
CA 94538

U.S.A.  
Telephone: 510 445 1257  
Fax: 510 991 9862  
[sales@laboamerica.com](mailto:sales@laboamerica.com)



LABOMED and Lx 400 are registered trademarks of Labo America, Inc.  
With a policy of continuous development, Labo America, Inc. reserves the right to change design and specifications without prior notice.  
© 2009 Labo America, Inc. | 9126000-990A 04-2020

ISO 9001 : 2008  
File No. A9020