

# SLx

OPHTHALMIC DIAGNOSIS



**LABOMED**®   
ideas for vision

## A PERFECT FIT FOR EYECARE PROVIDERS



SLx 40

A sturdy stand with fluid mechanical movement provides ergonomic benefits for hours of use. Apochromatic optics provide the clearest possible view of the anterior and posterior segments of the patient's eye.

The SLx 40 is a nimble system that puts diagnostic essentials at the fingertips of eye care professionals. This microscope delivers all the performance features of the SLx 45 in optical and mechanical performance, but with a more compact illumination system. This ensures that SLx 40 provides doctors with greater space efficiency. The SLx 45 delivers ultimate value with a well-designed 3-step optical system and an efficient 20W tower style illumination system.

LABOMED's *MaxLite*<sup>™</sup> coated optics, standard in all SLx series Slit-lamps, yield crisp and detailed images. *MaxLite*<sup>™</sup> coatings provide the highest throughput of light, thanks to superb anti-reflective properties. These optics are anti-fungal, anti-fog and scratch resistant in addition to producing true-to-life resolution.

LABOMED SLx Series Slit lamps are sturdy instruments built with fluidity in movement and ergonomics to benefit hours of use.



SLx 45

The SLx series accessories provide an array of options based on the needs of the doctor's practice. IOP readings are available with the addition of a tonometer. A host of beam splitters and adapters make it possible to integrate third party cameras.

For doctors who want a complete digital solution, LABOMED's *iVu SL* system provides a 5-megapixel camera module for still image. The *iVu SL* is designed specifically for the SLx series to provide superior digital documentation.

All optics are lead free and all paints used have antimicrobial additives that prevent the growth of bacteria on contact surfaces, ensuring a healthier working environment. All parts in contact with patient are anti-toxic and anti-irritation.

*"With the iVu SL camera, digital capture is fast and seamless. Digital documentation can now be done by any of my associates."*



Beam Splitter and Camera

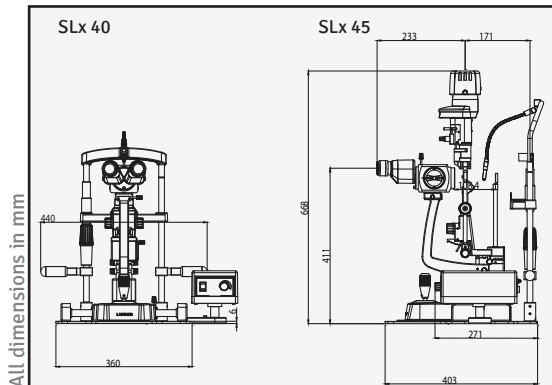


## TWO SLIT LAMP STYLES TO MEET THE NEEDS OF ANY OFFICE



# SLx SLIT LAMP SERIES

	SLx 40	SLx 45
<b>Microscope</b>	Galilean	Galilean
<b>Magnification</b>	3 step: 10X, 16X, 25X	3 step: 10X, 16X, 25X
<b>Eyepieces</b>	WF 12.5X/18 mm, dioptre adj. ± 5 mm	WF 12.5X/18 mm, dioptre adj. ± 5 mm
<b>IPD range</b>	49 - 78 mm	49 - 78 mm
<b>Slit length/width</b>	0 - 13.5 mm	0 - 12 mm
<b>Slit apertures</b>	0.6, 5.8, 9, 13.5 mm and continuous 1.5 to 12.0 mm	0.3, 1, 3, 5, 9, 12 mm and continuous 1.5 to 12.0 mm
<b>Slit rotation</b>	0 - 180°	0 - 180°
<b>Slit tilt</b>	-	20°
<b>Filters</b>	Red free, Cobalt blue, Heat absorbing	Red free, Cobalt blue, Heat absorbing, Neutral density
<b>Movement ranges:</b>		
<b>Longitudinal (in/out)</b>	100 mm	100 mm
<b>Lateral (left/right)</b>	107 mm	107 mm
<b>Vertical (up/down)</b>	30 mm	30 mm
<b>Chin rest range</b>	80 mm	80 mm
<b>Illumination</b>	6V 20W Halogen or 5W LED	6V 20W Halogen or 5W LED
<b>Table base size</b>	367 mm X 360 mm X 5.5, Metal	367 mm X 360 mm X 5.5, Metal
<b>Weight</b>	25 kg (packed)	30 kg (packed)
<b>Optional accessories</b>	Tonometer, Breath shield, Beam splitter, Cameras, Diffuser, Motorized table	Tonometer, Breath shield, Beam splitter, Cameras, Diffuser, Motorized table



## DESCRIPTION

SLx 40 Halogen  
SLx 45 Halogen  
SLx 40 LED  
SLx 45 LED

## CONFIGURATION

3 step Slit Lamp  
3 step Slit Lamp  
3 step Slit Lamp  
3 step Slit Lamp

## CATALOG NO.

8126400-000  
8127400-000  
8126401  
8127401



Labo America, Inc.  
920 Auburn Court  
Fremont, CA 94538

Tel: (510) 445-1257  
Fax: (510) 445-1317  
E-mail: sales@laboamerica.com

[www.laboamerica.com](http://www.laboamerica.com)



ISO 9001 : 2008

# LABOMED®

Distributor

SPECIFICATIONS

8126400-796 1.2  
© Labo America, Inc. All rights reserved.