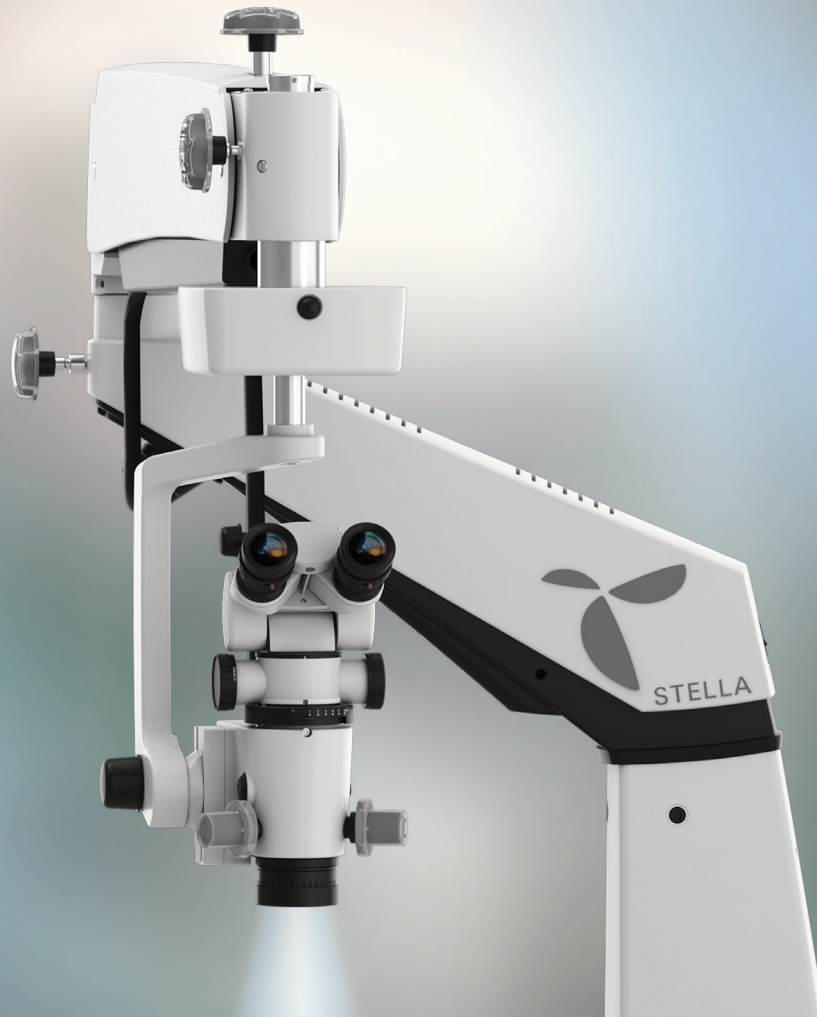


# STELLA N

OPERATING MICROSCOPE



# A SHINING NEW BEACON IN ENT SURGICAL IMAGING



NG

A brilliant new era in surgical imaging technology is here. Stella promotes greater flexibility, performance, and affordability in ENT, neuro, spinal, and reconstructive surgery.

A multi-functional microscope, Stella offers a suite of features that will enhance surgical precision and comfort, from a 10-way foot controlled motorized apochromatic optical system, easy adaptation of video accessories, multiple interoperative viewing modes, as well as articulation and control features that make the microscope more nimble and responsive to operative needs.

A sturdy stand with counterbalance rotation and a market leading service and support ensure operators a lifetime of carefree use.

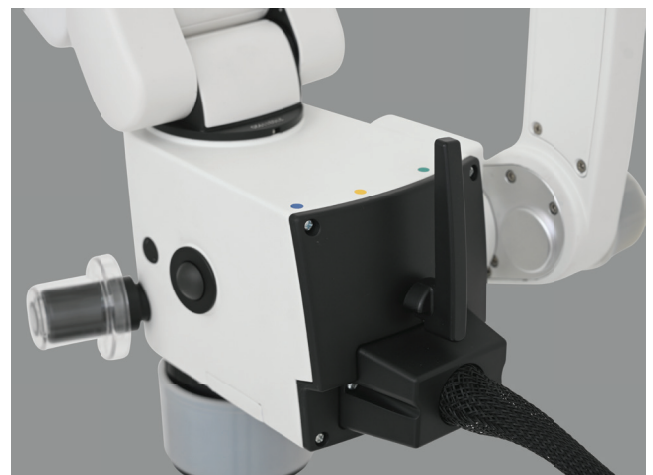
# PRECISE FUNCTIONALITY AT EVERY TURN



Stella provides surgeons a waterproof foot control (10-way) that will effortlessly drive X, Y, and Z axis motors alongside mag change and light intensity adjustment functions. Conveniently housed in the arm system is an IR and UV safe LED (6500 kelvin) that will provide cool, crisp and bright-white illumination (rated 60,000 hours of LED life).



Unlike other cylindrical columns, Stella's novel triangular column system will pivot with the arm, distributing weight more evenly while maintaining a near perfect center of gravity for vibration free operation. An F=200-400mm NuVar variable working distance apochromatic objective delivers a superior depth of field and versatility not just for varied procedures, but also accommodates multi-user environments.



***“We enjoy the ease with which the system adjusts for supine and upright patients!”***



## CLEVER DESIGN ENHANCES MODULARITY AND SAFETY



Our ProLine series of video adapters and accessories features single and double beam splitters, DSLR camera adapters for all major makes and models, smart phone adapters, and an assistant viewer bridge for co-observation. With the addition to our Stella VESA mount, operators can add an HD monitor to the microscopes arm for live streaming and image preview (HDMI and Bluetooth screen sharing on smart monitors).

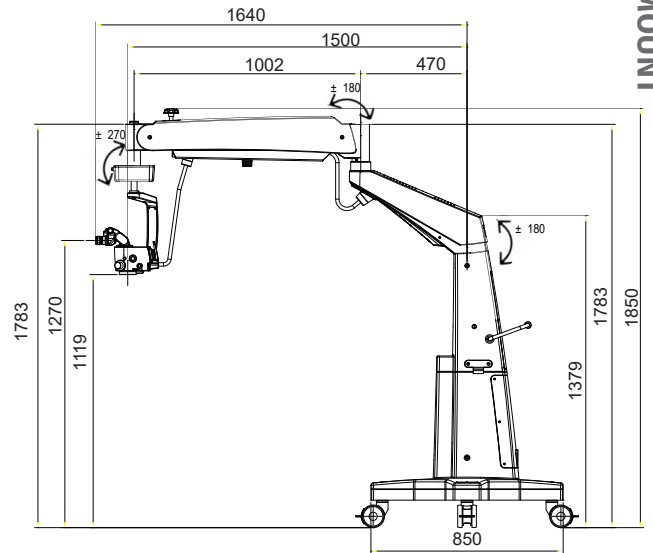
Magnification change is easily achieved thanks to an intuitive foot control function, enabling quick toggling. Stella's EZtilt tilting carrier articulates the microscope 180° on axis, enabling a change in viewing angle to accommodate different angles of surgical access so common in ENT procedures involving ear and nasal canals.

A smooth, noise free motor drive will seamlessly transition the optical head in X, Y, and Z axes, enabling scanning of ocular anatomy with a high degree of sensitivity. Quickly reset XYZ center back to factory settings with the push of a button.

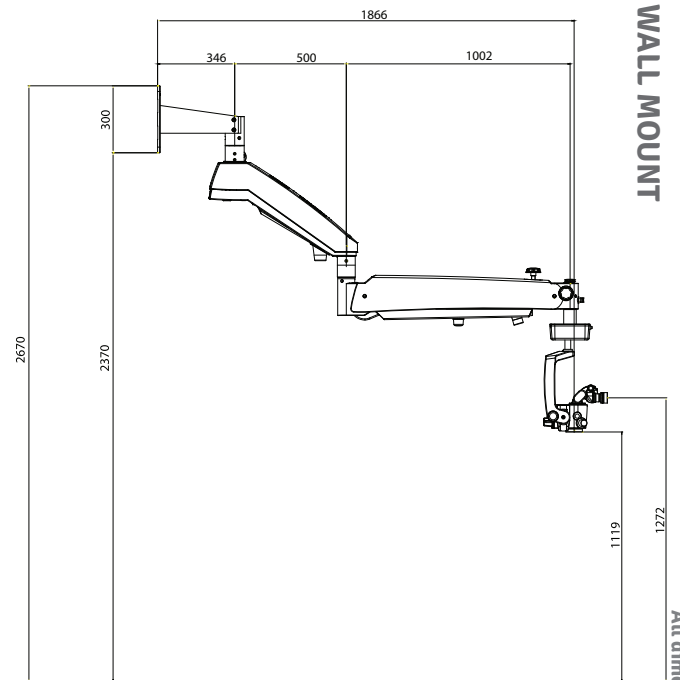
Stella comes in two unique configurations tailored to floor & wall installations, designed to minimize monopolization of space while ensuring the highest level of user safety.



**FLOOR MOUNT**



**WALL MOUNT**



All dimensions in mm

# STELLA N

<b>Stand</b>	Robust, vibration free stand on cross base with four lockable castors
<b>Observation tubes:</b>	Standard: 0-210° Binocular tilt able head F=170 mm configured with Double beam splitter & Double Iris attachment for depth of field management
<b>Stereo Base:</b>	24mm
<b>IPD Range:</b>	49-78mm
<b>Eyepieces:</b>	Standard: WF 10X/18mm with eye guards Option: WF 12.5X/18mm with eye guards
<b>Dioptre Adjustment:</b>	±7mm
<b>Magnichanger:</b>	MaxLite coated, Apochromatic, motorized stepper zoom system 5 steps: 0.4X, 0.6X, 1.0X, 1.6X, 2.5X 0-180° (Tiltable and auto locked at any position)
<b>Microscope Tilt:</b>	Standard: NuVar 20 variable CMO, F=295-495 mm, WD=200-400 mm
<b>Objective:</b>	128.4 mm-12.30 mm
<b>FOV diameter:</b>	1.4X-14.7X
<b>Magnification Range:</b>	100-160 mm
<b>Illumination field diameter:</b>	Range 40mm, motorized noise free
<b>Fine focus:</b>	50 X 50mm with auto reset
<b>XY Travel:</b>	UV & IR free 50W LED
<b>Light source:</b>	150K
<b>LUX:</b>	200Watts
<b>Maximum Wattage:</b>	6500k
<b>Color temperature:</b>	Flip in/out blue blocking (yellow), Green & Blue filter
<b>Built-in filters:</b>	Assistant binocular attachment, Proline range of camera adapters, Smart phone adapters
<b>Optional accessories:</b>	1500mm
<b>Total Arm Reach(Max):</b>	±300mm
<b>Vertical movement of suspension arm:</b>	10 function wired foot switch for xyz, magchanger & intensity control
<b>Foot Switch:</b>	12kg
<b>Max. Suspension load:</b>	170kg
<b>Base &amp; column weight:</b>	24.5kg
<b>Arm Weight:</b>	8.7kg
<b>X-Y, magchanger, head weight:</b>	

DESCRIPTION	CONFIGURATION	CATALOG NO.
STELLA N	Floor Stand	6219200
STELLA N	Wall Mount	6219201

## SPECIFICATIONS



### Labomed Europe b.v.

Essebaan 50  
2908 LK Capelle aan den IJssel  
The Netherlands  
info@labomedeuropa.com  
Tel: +31(0)10-4584222  
Fax: +31(0)10-4508251

[www.labomedeuropa.com](http://www.labomedeuropa.com)



Distributor

With a policy of continuous development, Labo America, Inc. reserves the right to change design and specifications without prior notice.

6219200-796/EU/E/1.0 010821  
© Labo America, Inc. All rights reserved.