

Sigma

Educational Microscopy



LABOMED
ideas for vision

Innovation through practicality, Sigma is the future.



1
Crisp imaging is a standard with Sigma. LABOMED's Educational Plan (EP) series objectives are composed of well corrected achromats with high efficiency anti-fungus coatings.



2
Operational ingenuity is achieved through a cleverly placed rackless coaxial coarse/fine focus mechanism providing zero wear and tear to the stage drive. The extra smooth turret provides parfocality and parcentration generally available only in research level microscopes.

3
Sigma is equipped with white LED illumination powered through a re-chargeable battery, making Sigma a truly cordless system. The intensity control is through an intelligent illuminated dial that glows green when fully charged and turns red when on low charge.

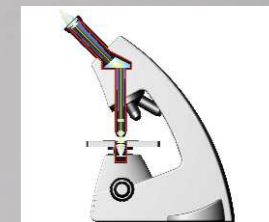
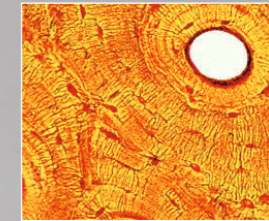


Sigma

Thanks to LABOMED's innovative manufacturing practices, the next generation of classroom microscopes is a reality today. Sigma™ is an educational tool with the very best in optics, durability, and value, leaving little room for debate. Boasting more than just superb performance, Sigma's sleek design will compliment your classroom with a touch of elegance.

With its light weight construction and cordless operation, the Sigma will move effortlessly wherever you need it to be. And best of all, this is all available in a highly affordable package.

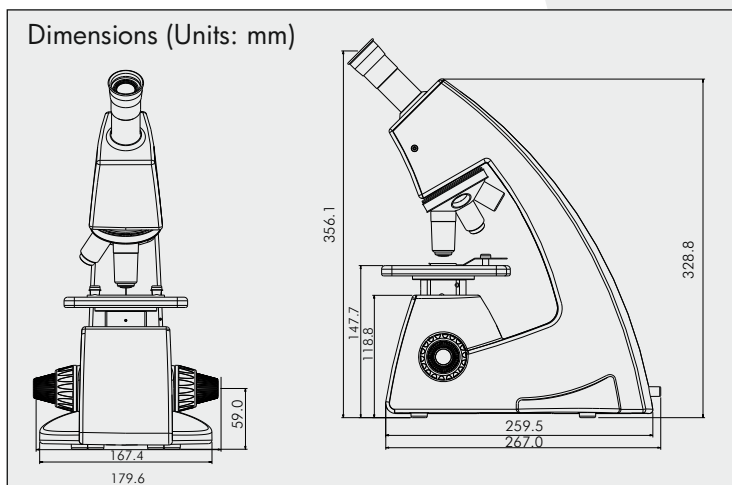
All contact surfaces are treated with antimicrobial agents to ensure zero point-of-contact bacterial contamination.



Sigma Educational Microscope

Specifications

| Item | Specifications |
|------------------------|---|
| - Stand | Sturdy stand with extended base for better stability |
| - Viewing Body | Integrated Monocular tube, 45° inclined |
| - Eyepiece | Integrated wide field eyepiece 10x/18mm with foldable eye guard, anti fungal |
| - Nosepiece | Reverse quadruple Nosepiece (Ball bearing type) with rubber grip |
| - Objectives | EP series DIN Semi Plan Achromatic objectives 4x, 10x, 40x (spring loaded), anti fungal |
| - Stage | Rectangular stage plate size 125 x 120mm |
| - Focusing | Coaxial coarse and fine focusing with gear movements for smooth operation |
| - Illumination | LED illumination, variable intensity control with illuminated ON/OFF switch, rechargeable battery. Up to 50,000 hours of LED life |
| - Electrical | Universal input 100V - 240V AC through external power adapter for battery charging |
| - Optional accessories | EP Semi Plan 100x (spring loaded, oil) objective; Mechanical stage |



Configurations

| Description | Configuration | Cat. No. |
|---|---------------|----------|
| Cordless | | |
| Standard, 3 obj. | Monocular | 2124001 |
| Standard, with 100x obj. and mechanical stage | Monocular | 2124002 |



Labo America, Inc.

920 Auburn Court
Fremont, CA 94538
U.S.A.

Tel: (510) 445-1257
Fax: (510) 991-9862
Email: sales@laboamerica.com



ISO 9001:2008
File No. A9020

laboamerica.com

Distributor