

PRIMA GN/OS

COLPOSCOPE



A VERSATILE SOLUTION FOR THE MODERN PRACTICE



The Prima GN and OS are the solutions for surgical and diagnostic work with its proven optical and mechanical precision engineering.

A durable mobile H-stand is easily transported from one room to the next on robust castor wheels, enabling multi-room use and convenient storage.

The Prima GN and OS were designed to address all digital imaging and documentation needs. Doctors can use a CCD, digital SLR or video camera, with the use of adapters available.



BRINGING GREATER CLARITY TO YOUR DIAGNOSES



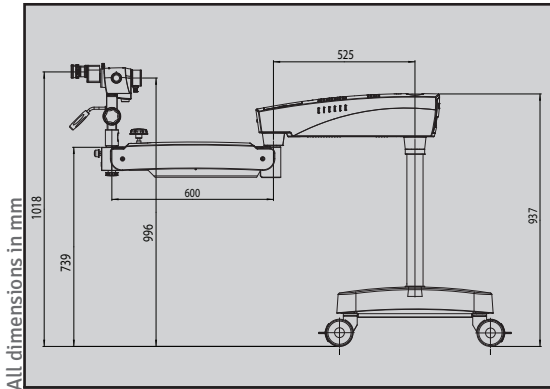
Integration of a cool 50W LED illumination system within the swivel arm makes the Prima GN as well as OS a compact and well balanced system. Bulb change hassle is a thing of the past as the ultra bright and white-light LED is rated for 60,000 hours of consistent bulb life.

The Optical coated lenses provide required details of images to help the diagnosis.



PRIMA GN COLPOSCOPE

Observation tubes	Standard: Binocular straight viewing tube 90° Option: 0-210° Tilttable binocular tube, 45° inclined
IPD	50-75 mm
Eyepieces	Standard: WF 10X/18 mm with eye guards and dioptre lock mechanism Option: WF 12.5X/18 mm with eye guards and dioptre lock mechanism
Dioptre Adjustment	± 5 mm
Magnichanger	Apochromatic 5 step: 0.4X, 0.6X, 1.0X, 1.6X and 2.5X Maxlite Coated
Objective	Standard f: 300 mm focusable; Options: f: 400 mm focusable <i>NuVar™</i> 10: f 300-400 mm WD: 220-320 mm <i>NuVar™</i> 20: f 295-495 mm WD: 200-400 mm
FOV	79.5-12.7 mm
Magnification Range	2.3x-14.0x
Fine focus	Manual, through objective adjustment knob
Light source	50W LED, 100-240V
Maximum Wattage	200 W
LUX	125K
Color Temperature	6500K
Built-in filters	Green
Vertical movement of arm	550 mm with power saver light cut off at park position
Microscope carriers	Straight
Optional accessories	Beam splitter (straight), Double Iris, <i>ProLine</i> range of camera adapters & Smart phone adapters, Assistant binocular attachment



ITEM	CONFIGURATION	CATALOG NO.
PRIMA GN	Colposcope, mobile H-stand	6165000
PRIMA OS	Colposcope, mobile H-stand, over the shoulder	6165000-100



Labo America, Inc.
920 Auburn Court
Fremont, CA 94538

Tel: (510) 445-1257
Fax: (510) 445-1317
E-mail: sales@laboamerica.com

www.laboamerica.com



With a policy of continuous development, Labo America, Inc. reserves the right to change design and specifications without prior notice.

Distributor