

PRIMA C/CS

COLPOSCOPE



LABOMED[®] 
ideas for vision

A POWERFUL SOLUTION IN A COMPACT DESIGN

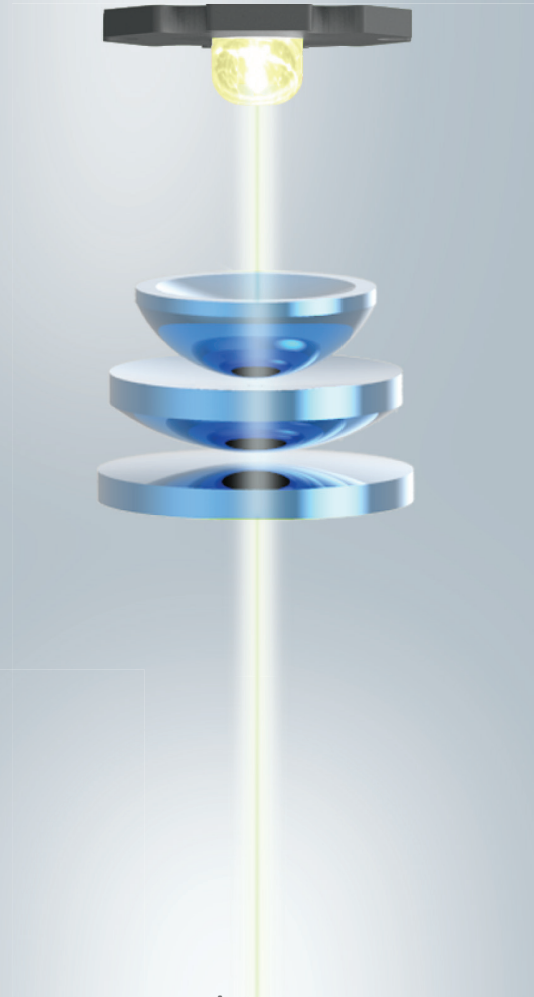


The PRIMA C is a compact and versatile solution for surgical and diagnostic work in Gynecology. Bundled with a high power LED illumination module, superb optics and an ergonomic footprint, this colposcope ensures durability and high performance.

The PRIMA C comes mounted on a choice of superbly crafted stands, making it adaptable to any space or application. A retractable pole mount with an elegant star base, a foldable suspension arm, and various chair mounts make PRIMA C systems highly customizable.

A range of LABOMED accessories *Proline* cameras & smart phone adapters enable image streaming and archiving for any Gynecology practice.

A high performance LED illumination system built into the magnichanger provides superb lighting of the area under observation. LED light levels exceed those provided by halogen lamps, making the PRIMA C design compact and well balanced. This unique arrangement is fitted with an ultra bright LED rated for up to 50,000 hours, virtually eliminating the need for bulb changes.



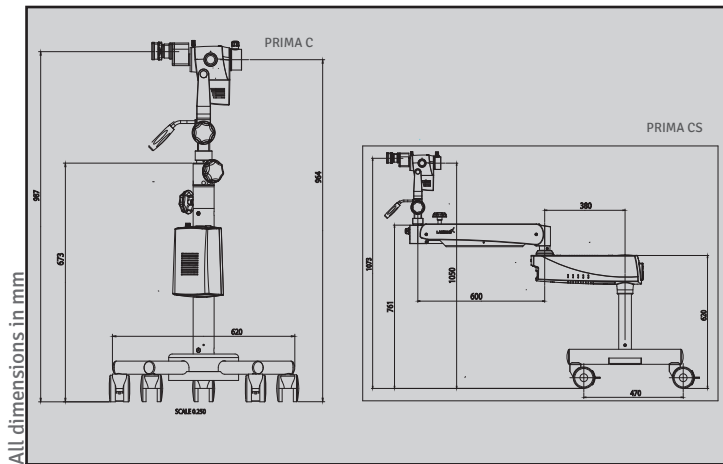
LABOMED's proprietary *MaxLite™* coated apochromatic optics deliver a level of detail, color correction, and anti-reflective properties typically found in operating room microscopes, making the PRIMA C a best-in-class value colposcope.



PRIMA C COLPOSCOPE

	PRIMA C Colposcope with Straight Carrier	PRIMA CS Colposcope with Swing Arm
Observation tubes	Standard: Binocular straight 90° viewing tube Optional: 45° Binocular inclined	Standard: Binocular Straight 90° viewing tube Optional: 45° Binocular inclined
IPD	50-75 mm	50-75 mm
Eyepieces	Standard: WF 10X/18 mm with eye guards Option: WF 12.5X/18 mm with eye guards ± 5 mm	Standard: WF 10X/18 mm with eye guards Option: WF 12.5X/18 mm with eye guards ± 5 mm
Dioptr Adjustment	Apochromatic <i>MaxLite</i> coated	Apochromatic <i>MaxLite</i> coated
Magnichanger	5 step: 0.4X, 0.6X, 1.0X, 1.6X, 2.5X Standard: f-300 mm, manual focus Option: f-400 mm, manual focus	5 step: 0.4X, 0.6X, 1.0X, 1.6X, 2.5X Standard: f-300 mm, manual focus Option: f-400 mm, manual focus
Objective	2.3 x-14x	2.3 x-14x
Magnification	79.5 - 12.70mm	79.5 - 12.70mm
FOV	27W LED, 100-240V	27W LED, 100-240V
Light Source	75K	75K
LUX	60 Watts	60 Watts
Maximum Wattage	5700k	5700k
Color Temperature	Green	Green
Built-in Filters	100 mm	±250 mm
Vertical Movement of Arm	Beam splitter (straight), Double Iris, <i>ProLine</i> range of camera adapters & Smart phone adapters, Assistant binocular attachment	Beam splitter (straight), Double Iris, <i>ProLine</i> range of camera adapters & Smart phone adapters, Assistant binocular attachment
Optional accessories		

SPECIFICATIONS



ITEM	CONFIGURATION	CATALOG NO.
PRIMA C	Colposcope with Straight Carrier	6128000
PRIMA CS	Colposcope with Swing Arm	6128600



Labo America, Inc.
920 Auburn Court
Fremont, CA 94538

Tel: (510) 445-1257
Fax: (510) 445-1317
E-mail: sales@laboamerica.com

www.laboamerica.com



LABOMED®

Distributor