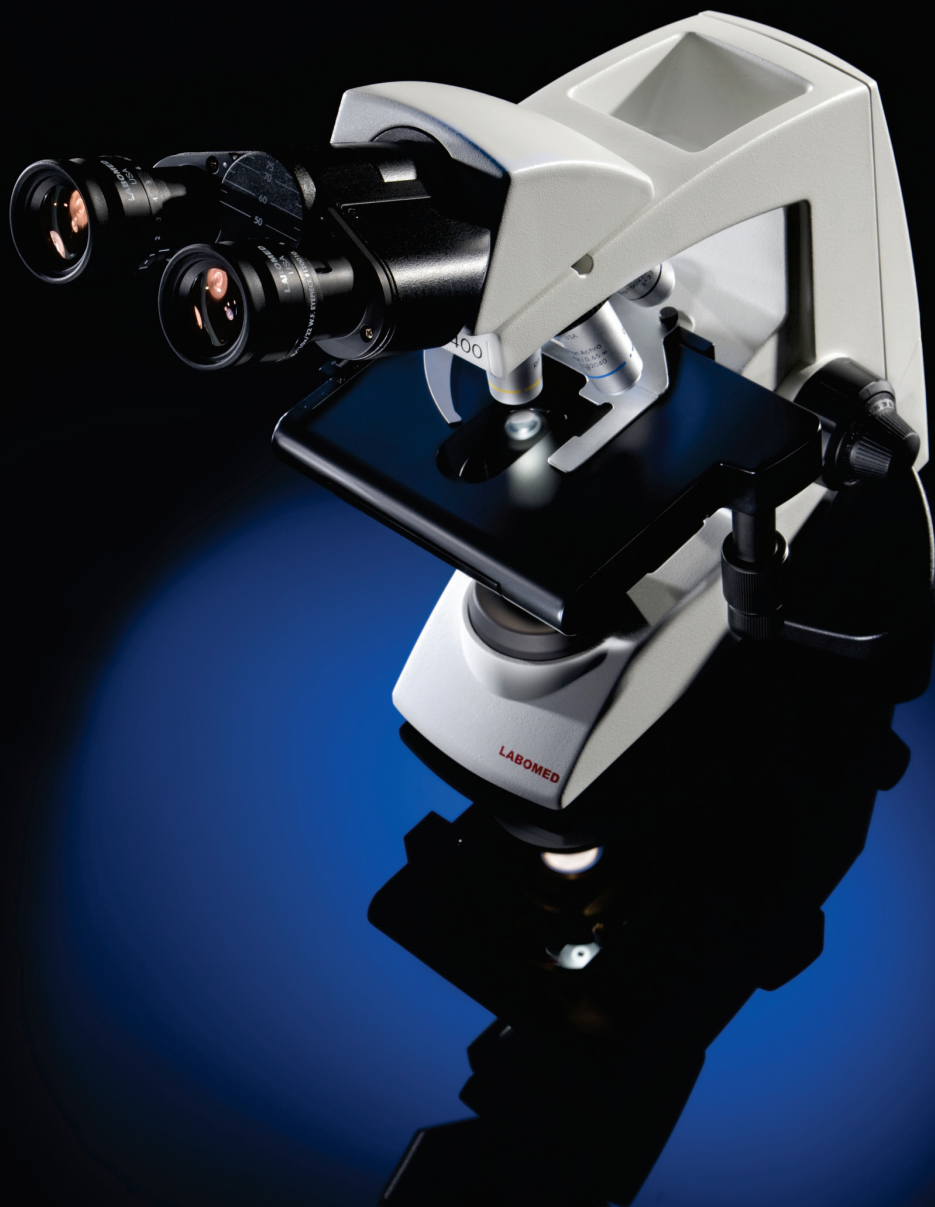


Lx 400

Research Microscopy



LABOMED 
ideas for vision

The new face of Lab Microscopy

1 Infinity Corrected Plan Achromatic objectives and Extra Wide Field focusable eyepieces ensure brilliant images with pristine color fidelity and contrast. Our Secure Rotation feature enables smooth and safe rotation of the viewing tube when locked into the stand.

2 Strain-free and safe operation is ensured through a highly ergonomic design with an ultra smooth focus drive, low-position stage controls, and a Rackless X-axis stage. Factory pre-centered fixed condenser is standard.

3 Highly efficient Halogen or super bright LED illumination options are available. Coupled with well-designed optics, this system provides brilliant and even images under any light.

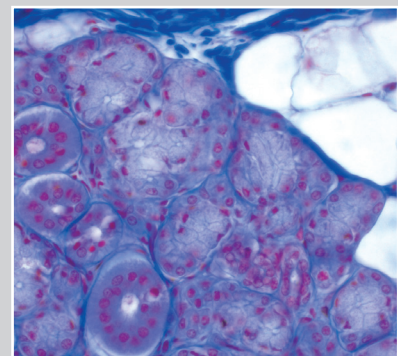
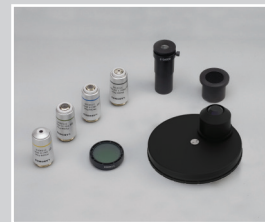


Lx 400

From the most basic to the more complex laboratory applications, the Lx 400 stands strong as a truly modular system. With an Infinity Corrected Plan Achromatic optical system, users will enjoy crisp images with excellent color fidelity and high accuracy in image rendition for a wide spectrum of specimens.

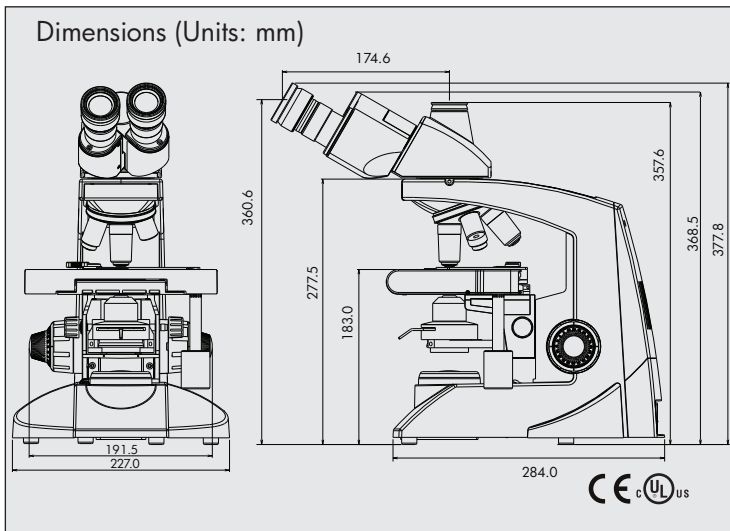
Equal attention is given to the quality of this system's mechanical components, producing robust performance throughout the life of your microscope. With the LX series' cost effective synergy of beauty and brains, a balanced microscope no longer has to be a thing reserved for the financially privileged.

All contact surfaces are treated with antimicrobial agents to ensure zero point-of-contact bacterial contamination.



Lx 400 Research Microscope

Item	Specifications
Stand	Single mold sturdy stand with anti-rust materials. Extended base for greater stability.
Viewing Body	Siedentopf Binocular or Trinocular head, 30° inclined, 360° rotatable, IPD 48-75mm
Eyepiece	Focusable wide field 10x/20mm eyepieces with foldable eye guards, anti-fungal
Nosepiece	Reverse-angle quadruple nosepiece (ball bearing type) with click stops and rubber grip
Objectives	RP series Infinity Corrected DIN Plan Achromatic objectives: 4x (WD 30.0mm), 10x (WD 4.5mm), 40x (WD 0.50mm), 100x (WD 0.13mm, spring loaded, oil)
Mechanical Stage	Rackless X axis, double-plate stage 200 x 140mm, X/Y travel range 78mm x 54mm. Low drive right hand movement controls. Hard coated surface for scratch resistance. Double specimen holder.
Condenser	Sub-stage Abbe condenser NA 1.25 with aspheric lens. Iris diaphragm with blue daylight filter. Rack and pinion movements on stainless steel guides.
Focusing	Coaxial coarse and fine focusing on ball drive system for smooth operation
Illumination	Halogen 6V-20W/30W or LED (built-in rechargeable battery) with variable illumination control. Halogen provides up to 2,000 hours lamp life; LED up to 50,000 hours.
Electrical	Universal input 100V - 240V AC, 50/60Hz. Built-in voltage stabilizer.
Optional Accessories	Zernike Phase contrast kit with Bright field, Phase Contrast & Dark field applications; Simple Polarizer/Analyzer; Dual View attachment; Fluorescence attachment; Video adapter



Description	Configuration	Catalog No.
Standard, 20W	Binocular	9126001
Standard, 30W	Binocular	9126003
Standard, 20W	Trinocular	9126002
Standard, 30W	Trinocular	9126004
Phase obj, 30W	Binocular	9126005
Phase obj, 30W	Trinocular	9126006
Fluorescence		
FL Attachment, 50W	Binocular	9126009
FL Attachment, 50W	Trinocular	9126010
LED (Cordless)		
Standard, Plan	Binocular	9126011
Standard, Plan	Trinocular	9126012
Digital		
Standard, HL	Binocular, 3MP Camera	9126014
Standard, HL	Binocular, 5MP Camera	9126015
Standard, LED	Binocular, 3MP Camera	9126016
Standard, LED	Binocular, 5MP Camera	9126017

Labo America, Inc.
920 Auburn Court
Fremont, CA 94538

Tel: (510) 445-1257
Fax: (510) 445-1317
Email: sales@laboamerica.com
laboamerica.com



With a policy of continuous development, Labo America, Inc. reserves the right to change design and specifications without prior notice.

Distributor